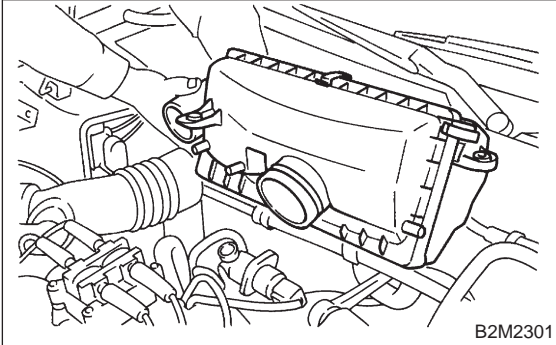


## 2-7 [W20A0]

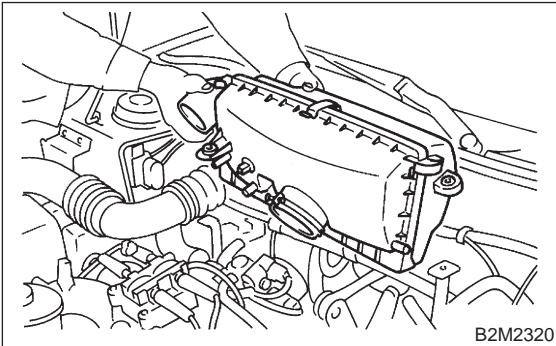
## SERVICE PROCEDURE

### 20. Intake Manifold Pressure Sensor (2200 cc California Spec. Vehicles only)

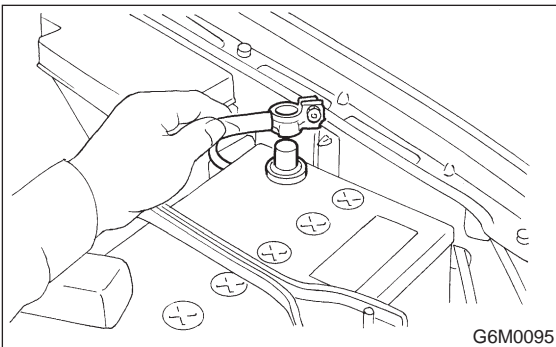
- 2) Connect knock sensor connector and hold knock sensor harness with band.
- 3) Install air intake chamber. (Except California spec. vehicles) <Ref. to 2-7 [W18A0].>



- 4) Install air cleaner assembly. (California spec. vehicles only) <Ref. to 2-7 [W1A0].>



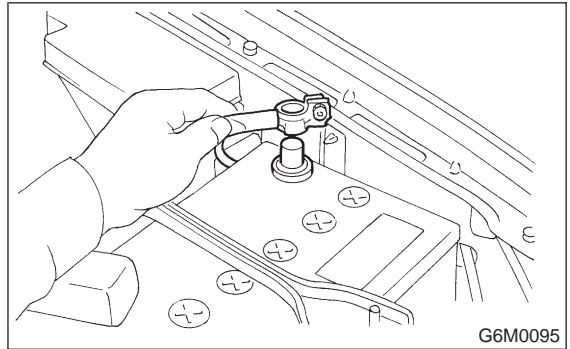
- 5) Connect battery ground cable to battery ground terminal.



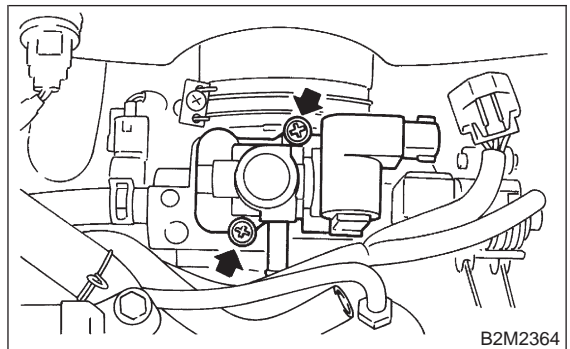
## 20. Intake Manifold Pressure Sensor (2200 cc California Spec. Vehicles only)

### A: REMOVAL AND INSTALLATION

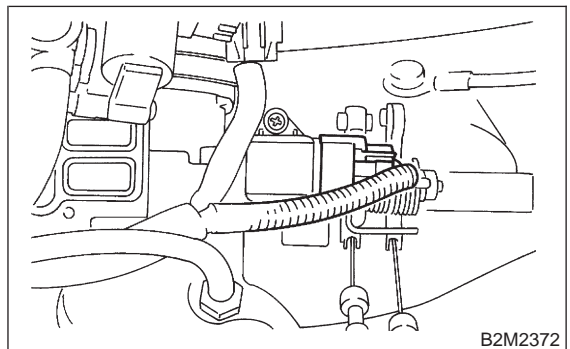
- 1) Disconnect battery ground cable.



- 2) Remove idle air control solenoid valve. <Ref. to 2-7 [W12A1].>



- 3) Disconnect connector from intake manifold pressure sensor.

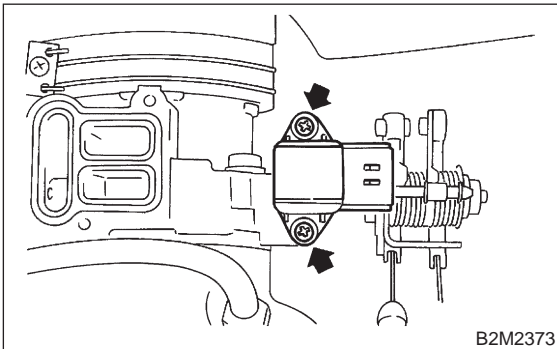


## SERVICE PROCEDURE

[W21A0] 2-7

### 21. Intake Air Temperature Sensor (2200 cc California Spec. Vehicles only)

- 4) Remove intake manifold pressure sensor from throttle body.



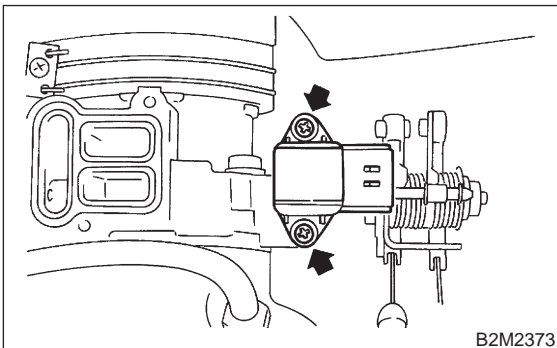
- 5) Installation is in the reverse order of removal.

#### CAUTION:

Replace gaskets for intake air pressure sensor and idle air control solenoid valve with new ones.

#### Tightening torque:

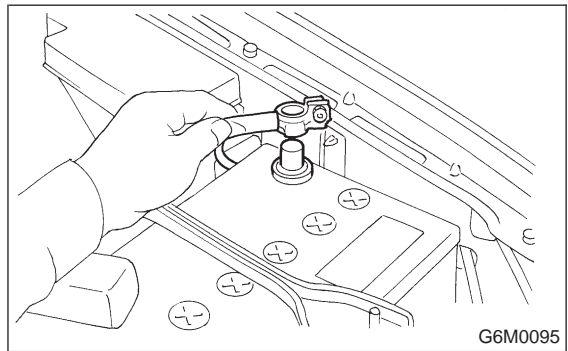
$2.0 \pm 0.4 \text{ N}\cdot\text{m}$  ( $0.20 \pm 0.04 \text{ kg}\cdot\text{m}$ ,  $1.4 \pm 0.3 \text{ ft}\cdot\text{lb}$ )



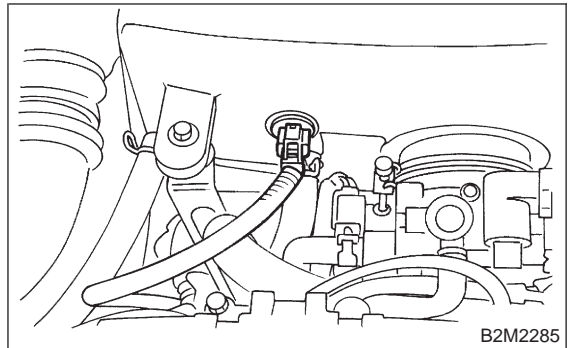
## 21. Intake Air Temperature Sensor (2200 cc California Spec. Vehicles only)

### A: REMOVAL AND INSTALLATION

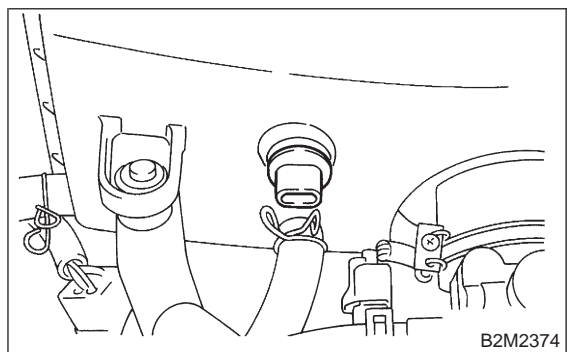
- 1) Disconnect battery ground cable.



- 2) Disconnect connector from intake air temperature sensor.



- 3) Remove intake air temperature sensor from air cleaner case.



- 4) Installation is in the reverse order of removal.