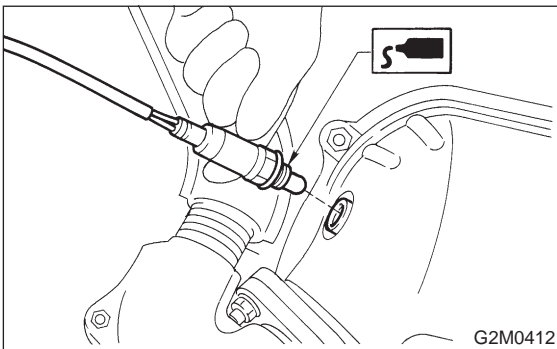


**B: INSTALLATION**

1) Before installing front oxygen (A/F) sensor, apply anti-seize compound only to threaded portion of front oxygen (A/F) sensor to make the next removal easier.

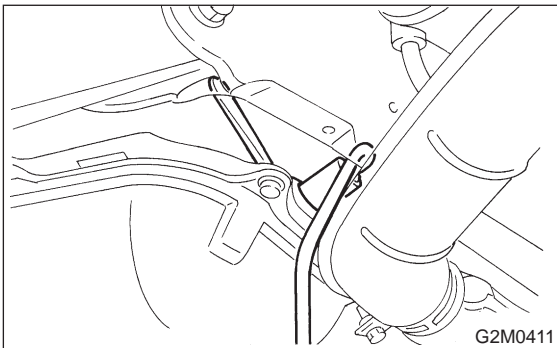
**Anti-seize compound:**  
**SS-30 by JET LUBE**

**CAUTION:**  
Never apply anti-seize compound to protector of front oxygen (A/F) sensor.

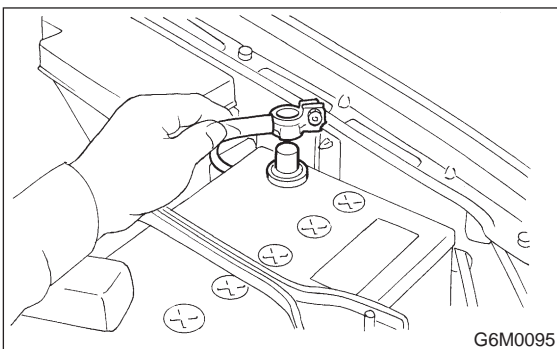


2) Install front oxygen (A/F) sensor.

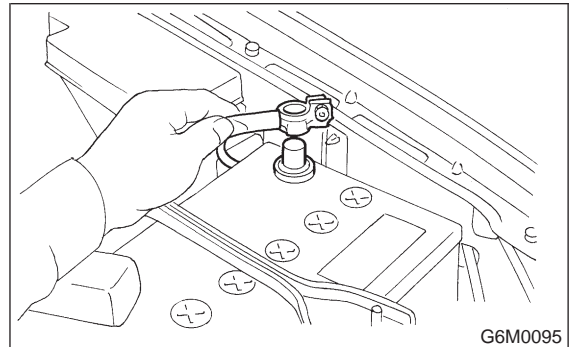
**Tightening torque:**  
**21±3 N·m (2.1±0.3 kg·m, 15.2±2.2 ft·lb)**



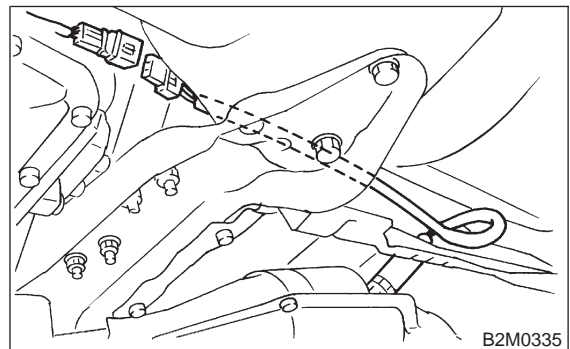
- 3) Lower the vehicle.
- 4) Connect connector to front oxygen (A/F) sensor.
- 5) Connect battery ground cable.

**8. Rear Oxygen Sensor****A: REMOVAL**

1) Disconnect battery ground cable.



- 2) Lift-up the vehicle.
- 3) Disconnect connector from rear oxygen sensor.



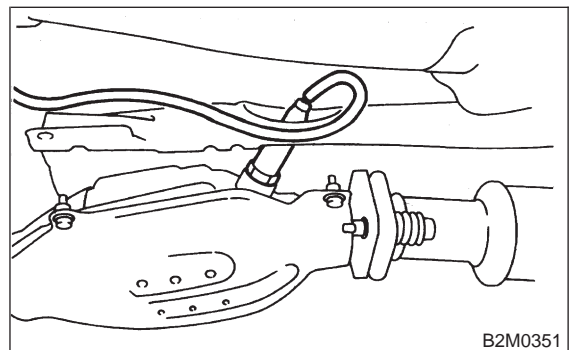
4) Apply SUBARU CRC or its equivalent to threaded portion of rear oxygen sensor, and leave it for one minute or more.

**SUBARU CRC (Part No. 004301003)**

5) Remove rear oxygen sensor.

**CAUTION:**

When removing, do not force rear oxygen sensor in an unnatural way especially when exhaust pipe is cold, otherwise it will damage exhaust pipe.

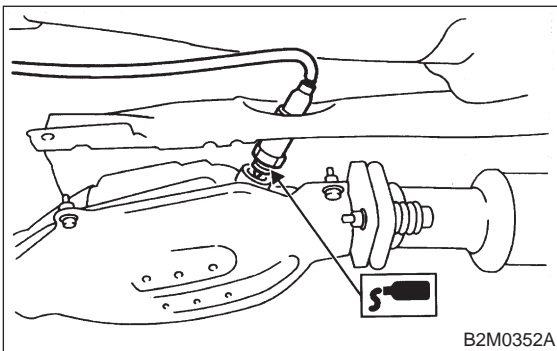


## B: INSTALLATION

1) Before installing rear oxygen sensor, apply anti-seize compound only to threaded portion of rear oxygen sensor to make the next removal easier.

**Anti-seize compound:**  
**SS-30 by JET LUBE**

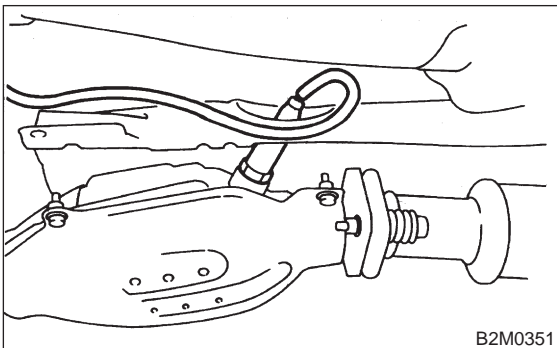
**CAUTION:**  
Never apply anti-seize compound to protector of rear oxygen sensor.



B2M0352A

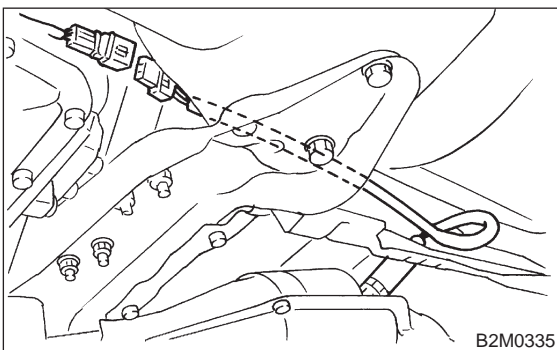
2) Install rear oxygen sensor.

**Tightening torque:**  
 **$21 \pm 3$  N·m ( $2.1 \pm 0.3$  kg·m,  $15.2 \pm 2.2$  ft·lb)**



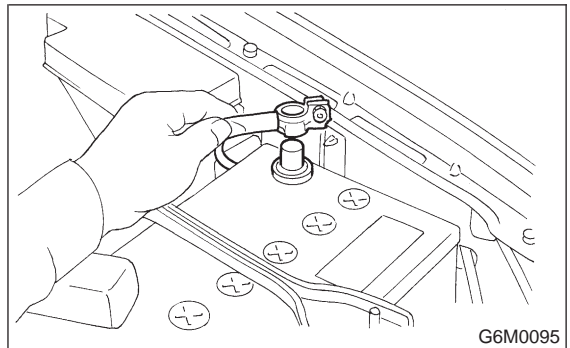
B2M0351

3) Connect connector to rear oxygen sensor.



B2M0335

- 4) Lower the vehicle.
- 5) Connect battery ground cable.



G6M0095