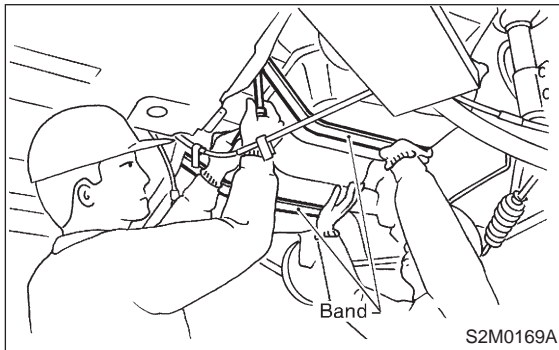


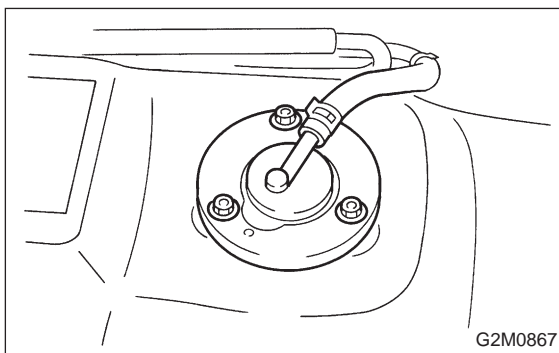
9. Fuel Cut Valve

A: REMOVAL AND INSTALLATION

- 1) Remove fuel tank. <Ref. to 2-8 [W2A0].>



- 2) Disconnect evaporation hose from fuel cut valve.
- 3) Remove fuel cut valve.



- 4) Installation is in the reverse order of removal procedure.

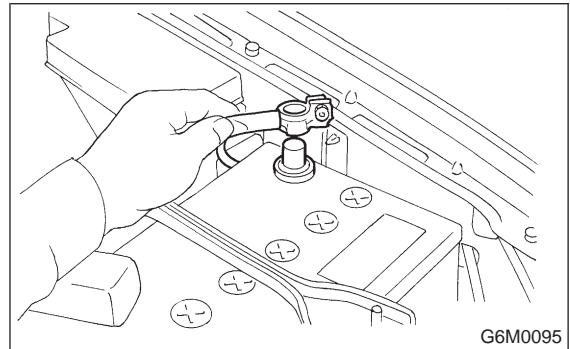
Tightening torque:

$4.4 \pm 1.5 \text{ N}\cdot\text{m}$ ($0.45 \pm 0.15 \text{ kg}\cdot\text{m}$, $3.3 \pm 1.1 \text{ ft}\cdot\text{lb}$)

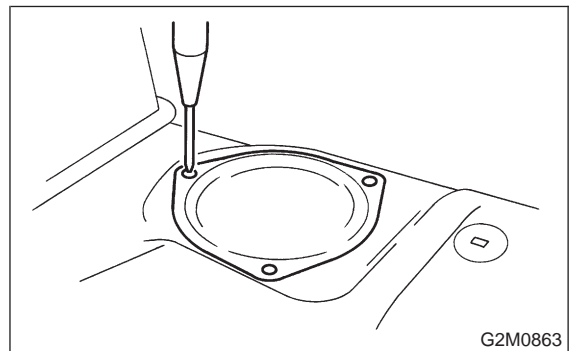
10. Fuel Sub Meter Unit

A: REMOVAL AND INSTALLATION

- 1) Disconnect battery ground cable.



- 2) Remove fuel filler cap.
- 3) Remove service hole cover.



- 4) Disconnect connector from fuel sub meter, and disconnect jet pump hose.

