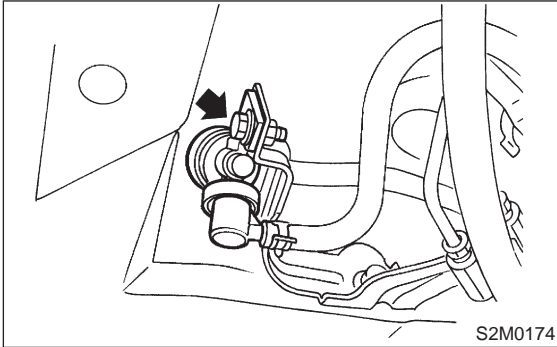


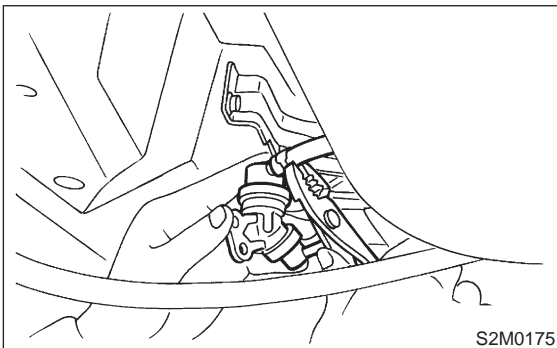
8. Roll Over Valve

A: REMOVAL AND INSTALLATION

- 1) Lift-up the vehicle.
- 2) Remove roll over valve from bracket.



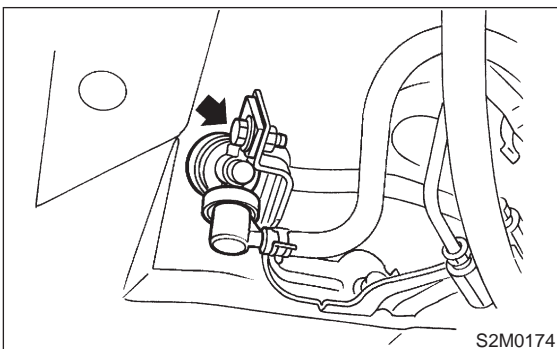
- 3) Disconnect hoses from roll over valve, and remove it from bracket.



- 4) Installation is in the reverse order of removal.

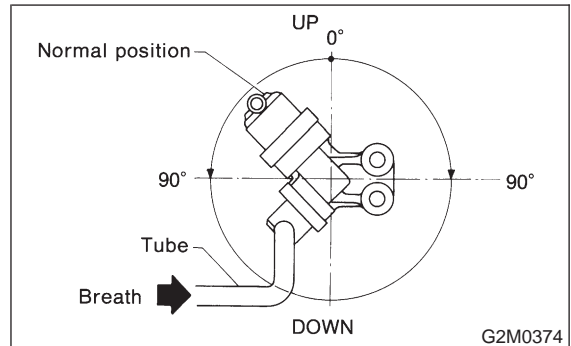
CAUTION:

- Do not install top side of valve down.
- Before installing bracket on body, securely fit concave part of bracket to hole in body.



B: INSPECTION

- 1) Connect hoses to roll over valve as shown in Figure.



- 2) While blowing through open end of hose, tilt valve at least 90° left and right from normal position.
- 3) Ensure that there is no air flow when hose is tilted greater than 90°.