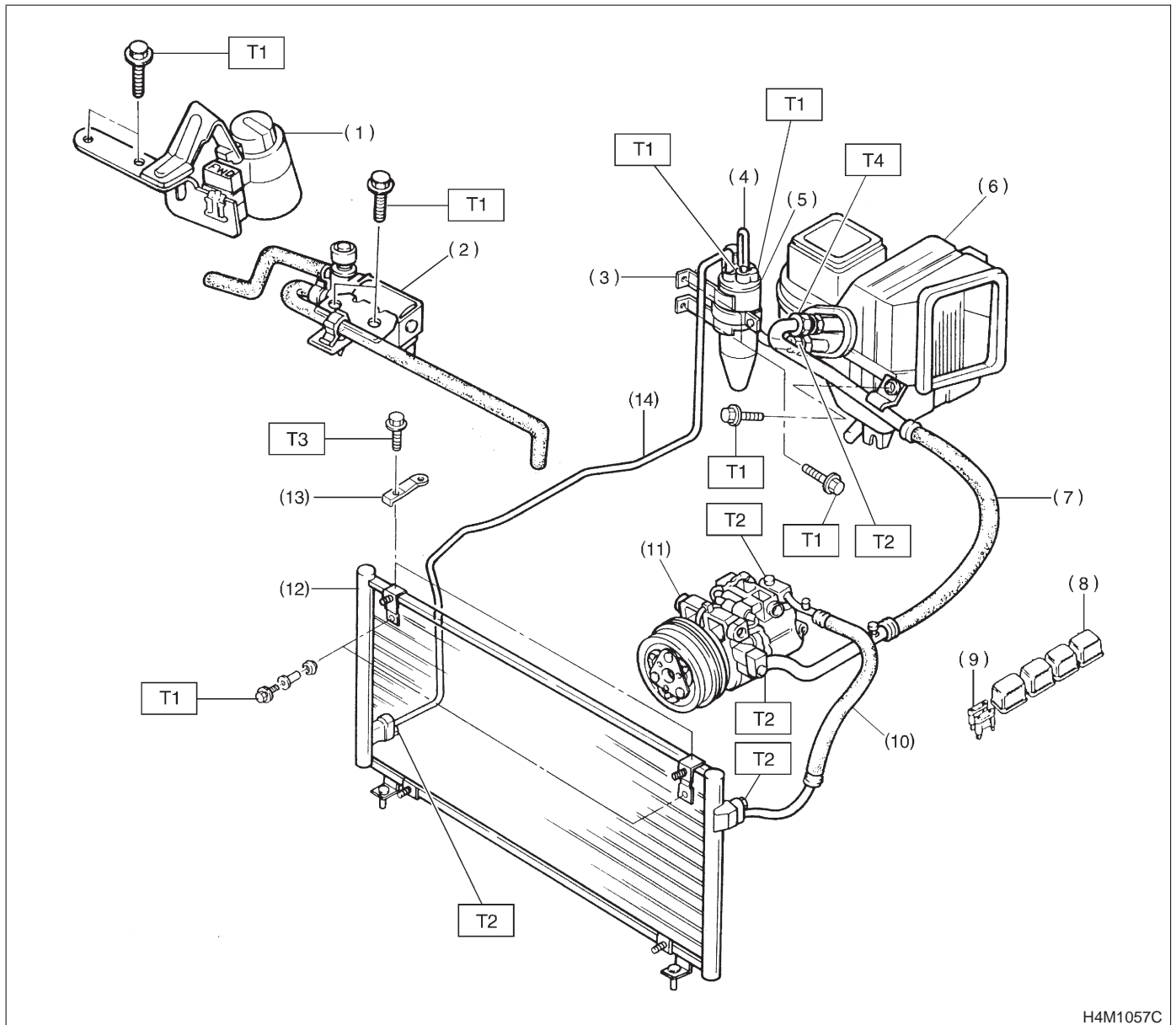


1. Air Conditioning System



- (1) A/C cut relay
- (2) FICD (1800 cc model)
- (3) Receiver drier bracket
- (4) Pipe (Receiver drier — C/unit)
- (5) Receiver drier
- (6) Cooling unit
- (7) Hose (Low-pressure)
- (8) A/C relay
- (9) Fuse
- (10) Hose (High-pressure)
- (11) Compressor
- (12) Condenser
- (13) Radiator bracket
- (14) Pipe (Condenser — Receiver drier)

**Tightening torque: N-m (kg-m, ft-lb)**

**T1: 7.4±2.0 (0.75±0.2, 5.4±1.4)**

**T2: 18±5 (1.8±0.5, 13±3.6)**

**T3: 15±5 (1.5±0.5, 11±3.6)**

**T4: 25±5 (2.5±0.5, 18±3.6)**