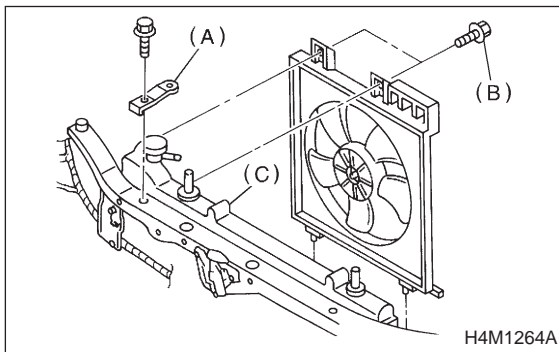


15. Condenser Fan Assembly

A: REMOVAL AND INSTALLATION

- 1) Disconnect battery negative terminal.
- 2) Disconnect harness connector from fan motor.
- 3) Remove radiator bracket (RH) (A) and remove condenser fan bolt (B) from radiator (C).



- 4) Pull condenser fan assembly.
- 5) Install the condenser fan assembly in the reverse order of removal.

16. Flexible Hose

A: REMOVAL AND INSTALLATION

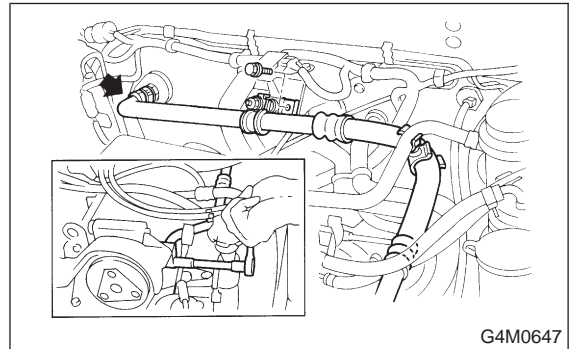
- 1) Disconnect battery negative terminal.
- 2) Discharge refrigerant using refrigerant recovery system. <Ref. to 4-7 [W600].>
- 3) Remove low-pressure hose:

CAUTION:

With the following cautions, replace flexible hoses with new ones if they are damaged or swollen.

- The flexible hoses should be free from twists and tension after they have been connected.
- The flexible hoses must not be bent or twisted forcibly.

- (1) Remove hose attaching bolts.



- (2) Remove hose clip.

CAUTION:

Plug the opening to prevent foreign matter from getting in.

- (3) Disconnect the connector at evaporator unit.