

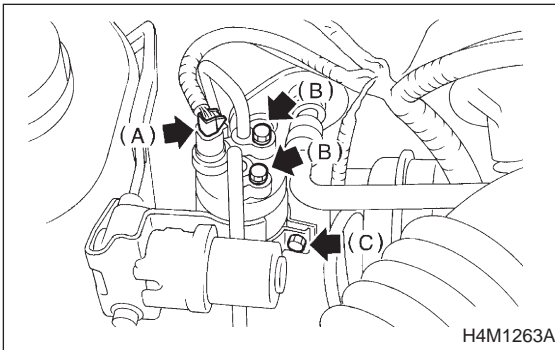
13. Receiver Drier

A: REMOVAL AND INSTALLATION

- 1) Disconnect battery negative terminal.
- 2) Discharge refrigerant using refrigerant recovery system. <Ref. to 4-7 [W600].>
- 3) Disconnect pressure switch connector (A).
- 4) Disconnect pipes (B).
- 5) Remove mounting bolt (C) and remove receiver drier.

CAUTION:

The receiver drier contains a desiccant. Be sure to put a blind plug in the detached receiver drier to protect it from moisture.

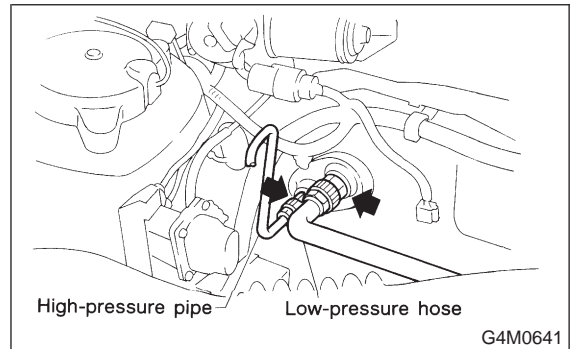


- 6) Install the receiver drier in the reverse order of removal.
- 7) Charge refrigerant. <Ref. to 4-7 [W700].>

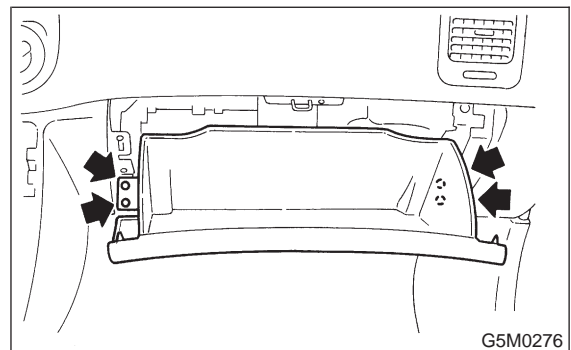
14. Intake Unit with Evaporator

A: REMOVAL AND INSTALLATION

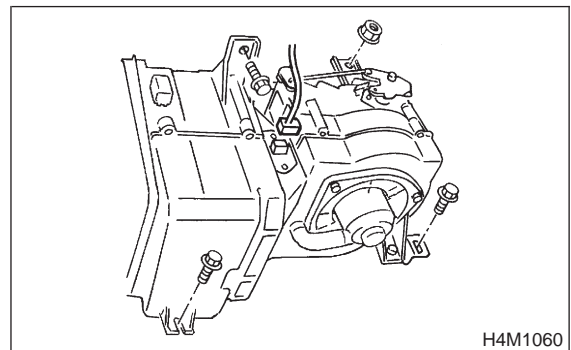
- 1) Disconnect battery negative terminal.
- 2) Discharge refrigerant using refrigerant recovery system. <Ref. to 4-7 [W600].>
- 3) Disconnect discharge pipe, suction pipe and grommets.



- 4) Remove glove box.



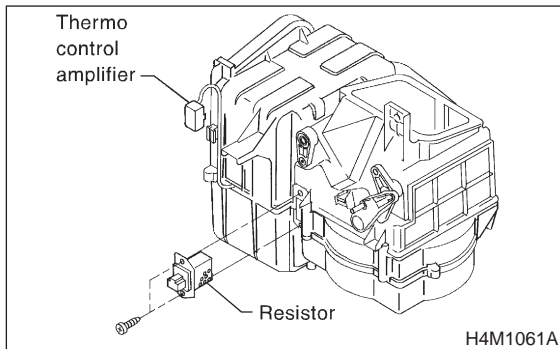
- 5) Disconnect the harness connector from evaporator.
- 6) Disconnect drain hose.
- 7) Remove intake unit mounting bolt and nut.



- 8) Install the intake unit in the reverse order of removal.
- 9) Charge refrigerant. <Ref. to 4-7 [W700].>

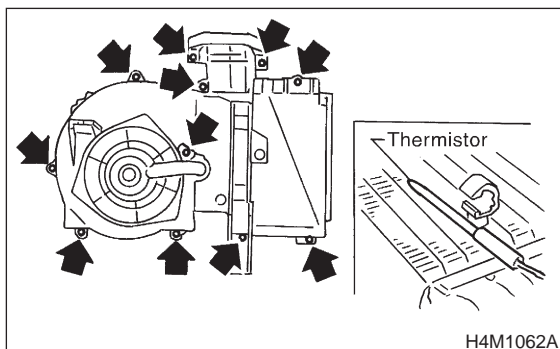
B: DISASSEMBLY AND ASSEMBLY

1) Remove resistor assembly and remove thermo control amplifier from intake unit case.

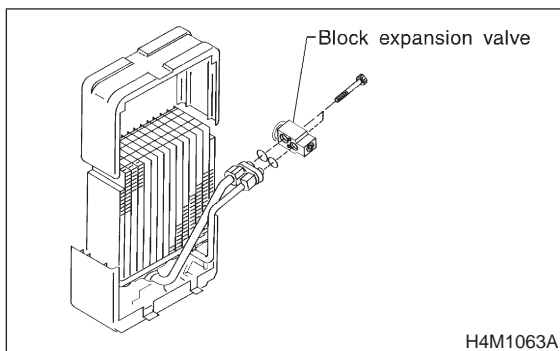


2) Remove some screws then separate intake unit case.

3) Remove thermistor from clip with the evaporator.



4) Remove the block expansion valve from pipes.



5) Check to see if the evaporator fins are clogged. If they are, clean them with compressed air.

CAUTION:

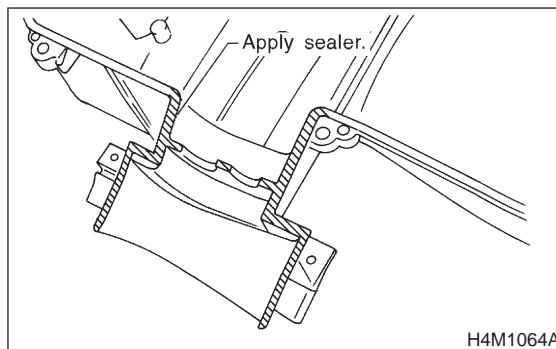
Water must never be used to clean the evaporator.

6) Check parts that have been removed for cracks or scratches, and repair or replace them with new ones, if necessary.

7) Before assembling intake unit, apply sealer to flange of intake unit case.

Sealer:

THREE BOND 1215 or equivalent



8) Reassemble the intake unit in the reverse order of disassembly.

NOTE:

Confirm that the O-ring is inserted in the specified position.