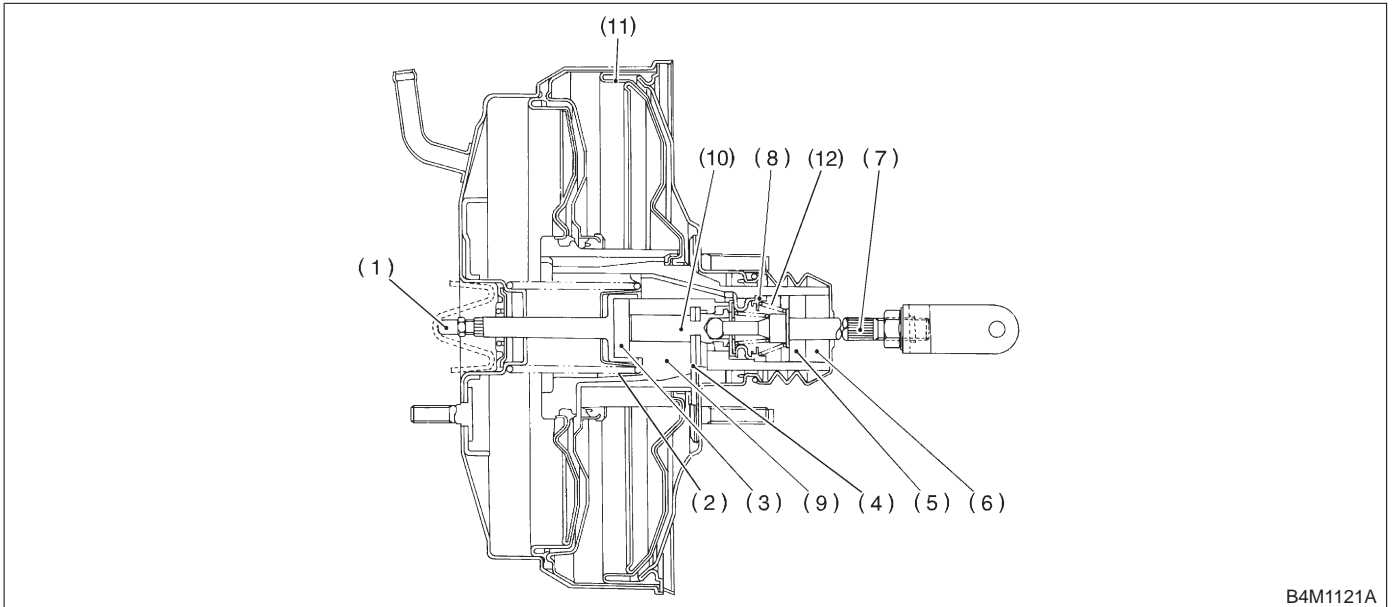


5. Brake Booster

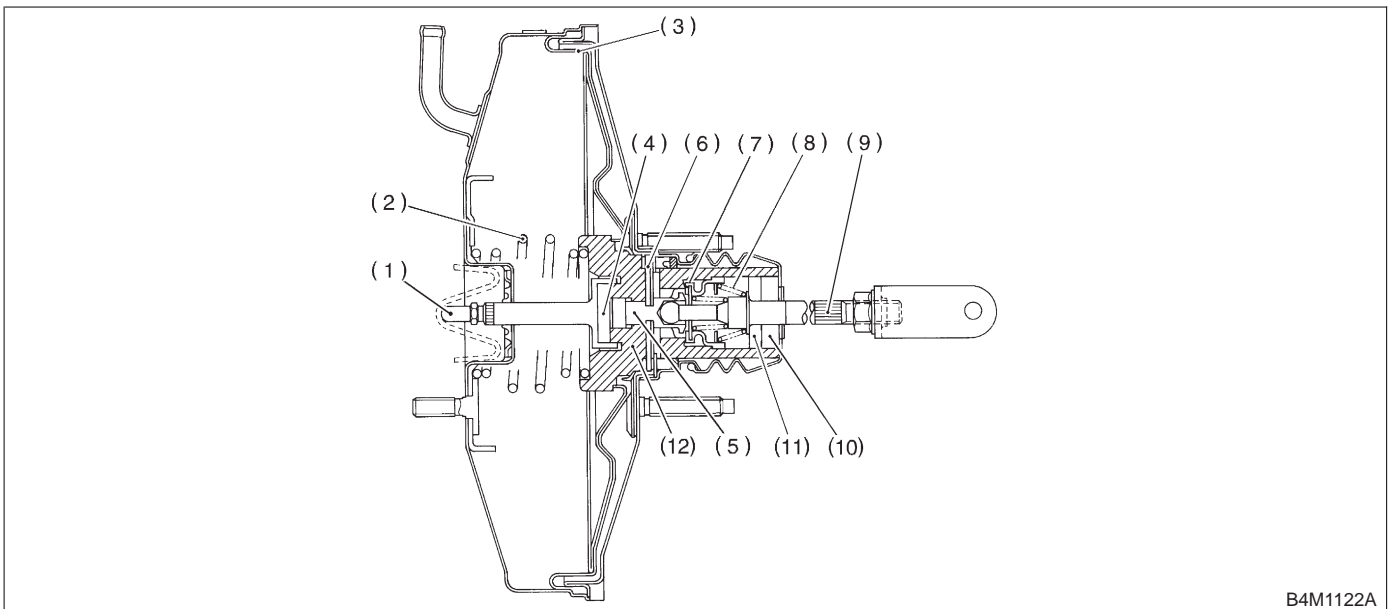
A: MODELS WITH ABS



B4M1121A

- | | | |
|-------------------|-------------------|--------------------------|
| (1) Push rod | (5) Filter | (9) Valve body |
| (2) Return spring | (6) Silencer | (10) Plunger valve |
| (3) Reaction disc | (7) Operating rod | (11) Diaphragm plate |
| (4) Key | (8) Poppet valve | (12) Valve return spring |

B: MODELS WITHOUT ABS



B4M1122A

- | | | |
|---------------------|-------------------------|-------------------|
| (1) Push rod | (5) Plunger valve | (9) Operating rod |
| (2) Return spring | (6) Key | (10) Silencer |
| (3) Diaphragm plate | (7) Poppet valve | (11) Filter |
| (4) Reaction disc | (8) Valve return spring | (12) Valve body |