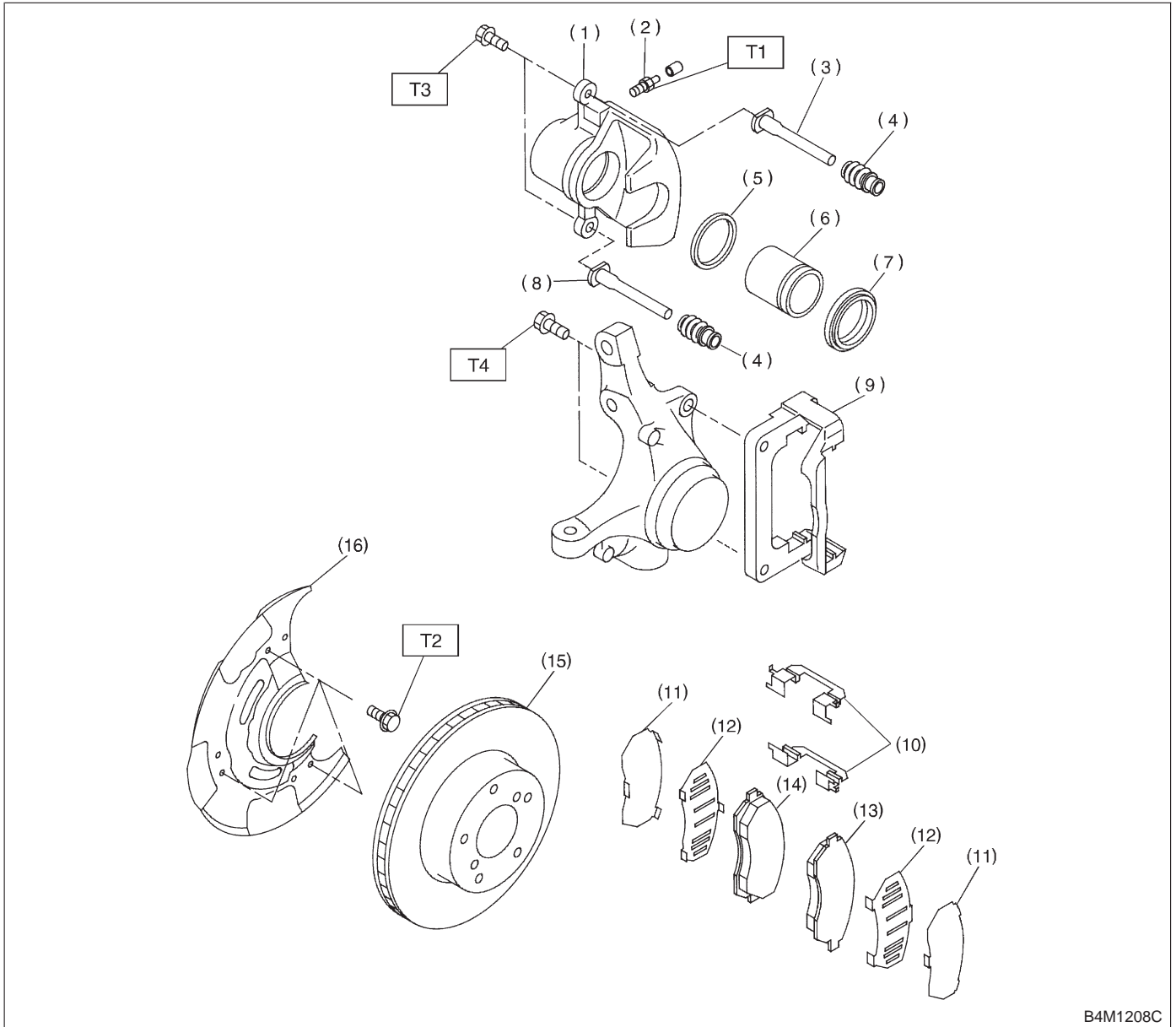


1. Front Disc Brake

A: EXCEPT 2500 cc MODEL



B4M1208C

- | | |
|-----------------------|--------------------|
| (1) Caliper body | (9) Support |
| (2) Air bleeder screw | (10) Pad clip |
| (3) Guide pin (Green) | (11) Outer shim |
| (4) Pin boot | (12) Inner shim |
| (5) Piston seal | (13) Pad (Outside) |
| (6) Piston | (14) Pad (Inside) |
| (7) Piston boot | (15) Disc rotor |
| (8) Lock pin (Yellow) | (16) Disc cover |

Tightening torque: N·m (kg·m, ft·lb)

T1: 8±1 (0.8±0.1, 5.8±0.7)

T2: 18±5 (1.8±0.5, 13.0±3.6)

T3: 37±5 (3.8±0.5, 27.5±3.6)

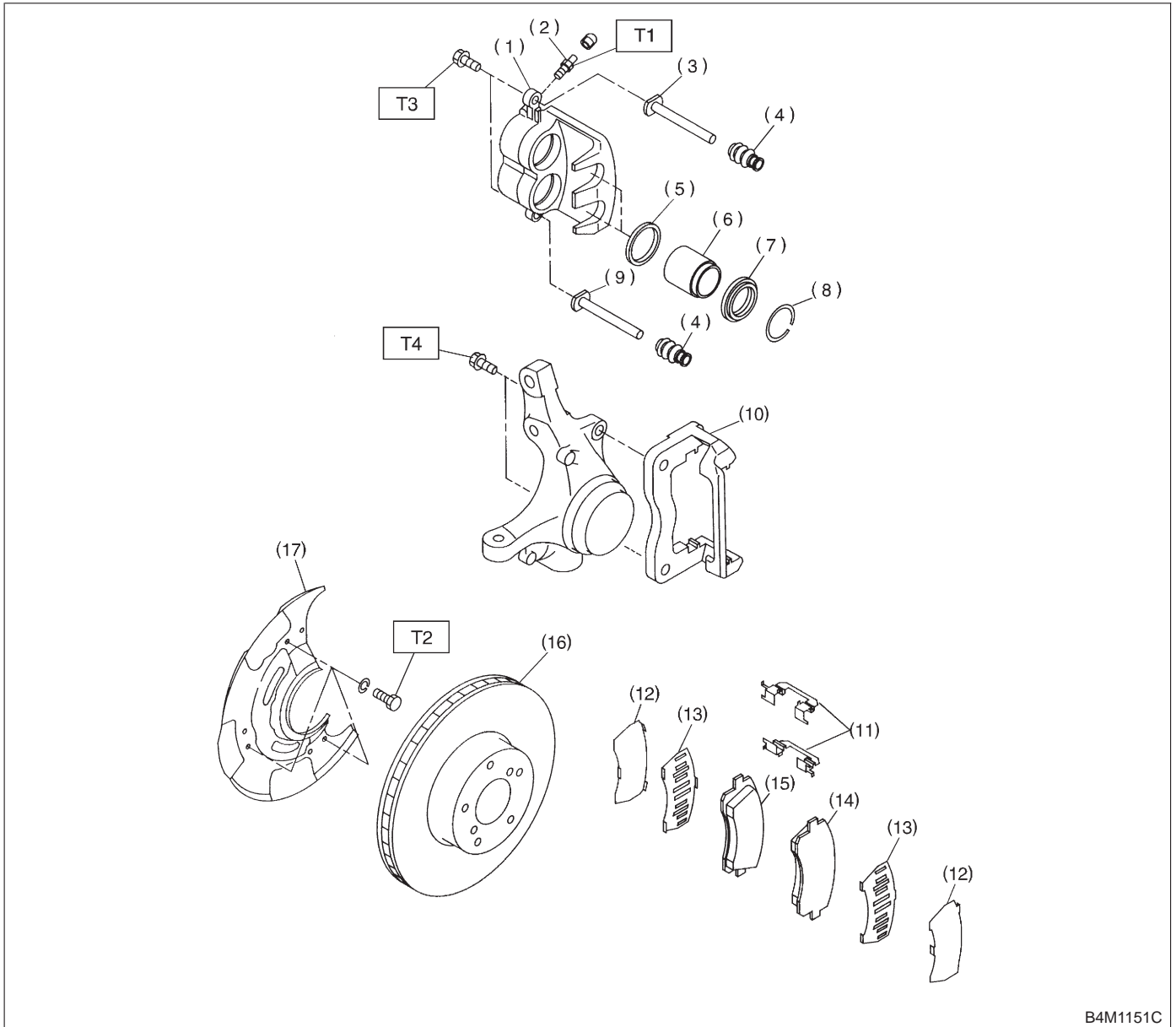
T4: 78±10 (8.0±1.0, 58±7)

4-4 [C1B0]

1. Front Disc Brake

COMPONENT PARTS

B: 2500 cc MODEL



B4M1151C

- (1) Caliper body
- (2) Air bleeder screw
- (3) Guide pin (Green)
- (4) Pin boot
- (5) Piston seal
- (6) Piston
- (7) Piston boot
- (8) Boot ring

- (9) Lock pin (Yellow)
- (10) Support
- (11) Pad clip
- (12) Outer shim
- (13) Inner shim
- (14) Pad (Outside)
- (15) Pad (Inside)
- (16) Disc rotor

- (17) Disc cover

Tightening torque: N-m (kg-m, ft-lb)

T1: 8±1 (0.8±0.1, 5.8±0.7)

T2: 18±5 (1.8±0.5, 13.0±3.6)

T3: 37±5 (3.8±0.5, 27.5±3.6)

T4: 78±10 (8.0±1.0, 58±7)