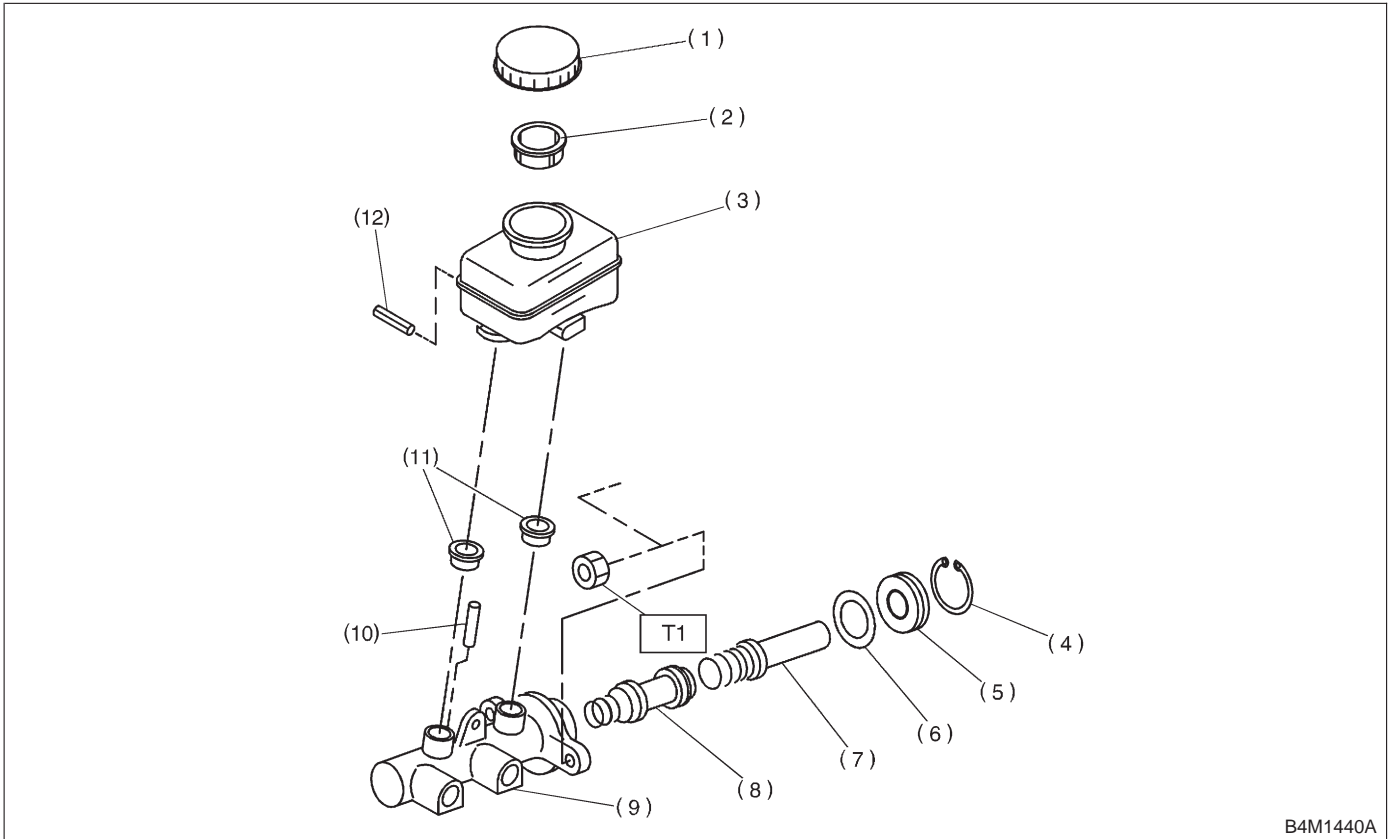


4. Master Cylinder  
A: WITH ABS VEHICLES



B4M1440A

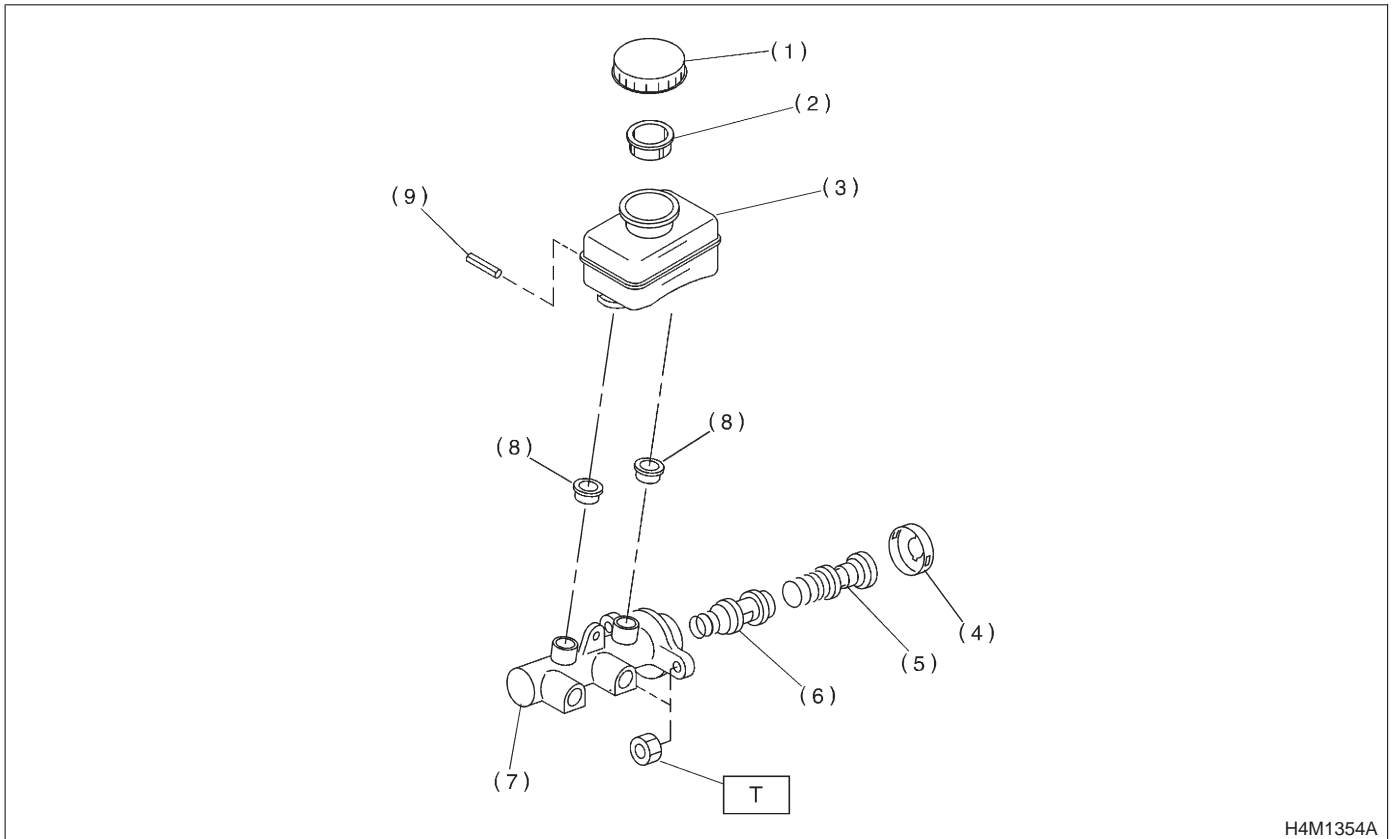
- (1) Cap
- (2) Filter
- (3) Reservoir tank
- (4) C-ring
- (5) Guide ASSY

- (6) Plate
- (7) Primary piston
- (8) Secondary piston
- (9) Cylinder body
- (10) Cylinder pin

- (11) Seal
- (12) Pin

**Tightening torque: N-m (kg-m, ft-lb)**  
**T1: 14±4 (1.4±0.4, 10.1±2.9)**

B: WITHOUT ABS VEHICLES



H4M1354A

- (1) Cap
- (2) Filter
- (3) Reservoir tank
- (4) Piston retainer

- (5) Primary piston
- (6) Secondary piston
- (7) Cylinder body
- (8) Seal

- (9) Pin

**Tightening torque: N·m (kg·m, ft·lb)**  
**T1: 14±4 (1.4±0.4, 10.1±2.9)**