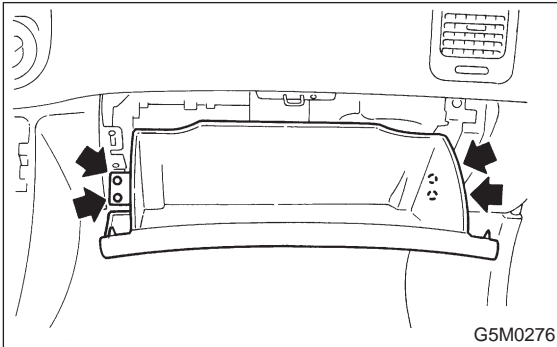


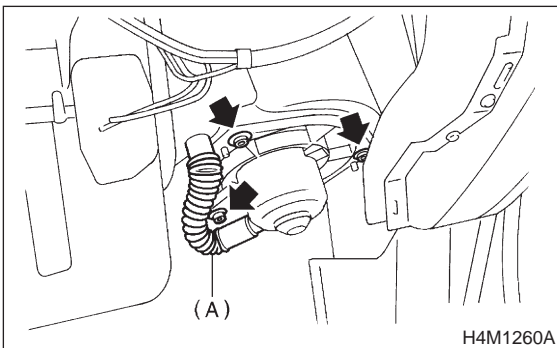
### 3. Blower Motor Assembly

#### A: REMOVAL AND INSTALLATION

- 1) Disconnect GND cable from battery.
- 2) Remove glove box.



- 3) Disconnect blower motor harness connector.
- 4) Disconnect aspirator pipe (A).
- 5) Remove blower motor mounting screw.



- 6) Remove blower motor assembly.
- 7) Installation is in the reverse order of removal.

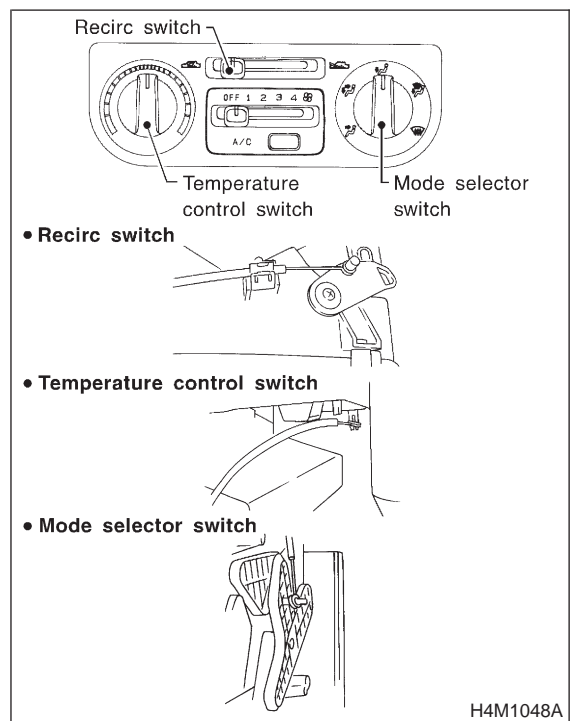
### 4. Control Unit

#### A: REMOVAL AND INSTALLATION

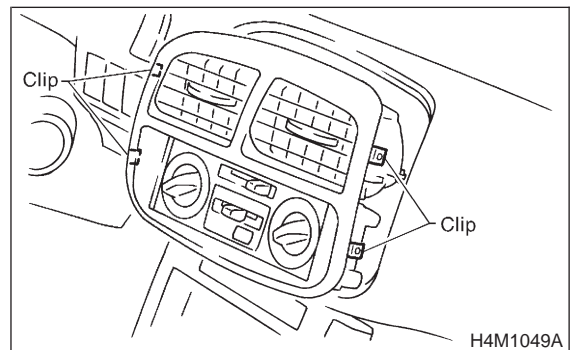
- 1) Disconnect GND cable from battery.
- 2) Set temperature control switch to "FULL HOT" and mode selector switch to "DEF" position and recirc switch to "FRESH" position.
- 3) Disconnect temperature control cable and mode door control cable from heater unit then disconnect recirc control cable from intake unit.

**NOTE:**

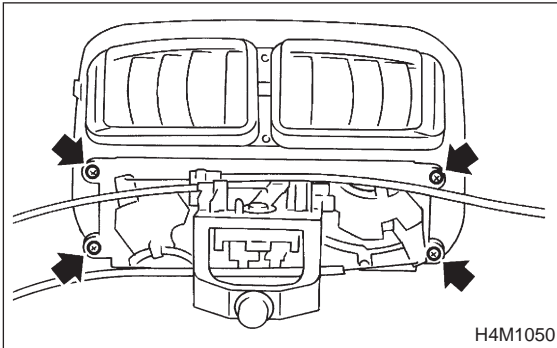
Do not attempt to move links during installation.



- 4) Remove center panel from instrument panel then disconnect connectors.



5) Remove control unit assembly from center panel.



6) Installation is in the reverse order of removal.

**NOTE:**

Before installing control unit, set temperature control switch to "FULL HOT" and mode selector switch to "DEF" position and recirc switch to "FRESH" position.

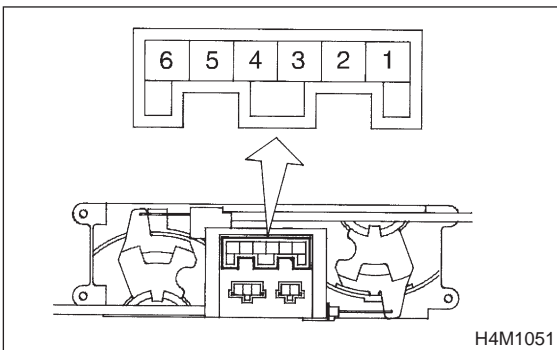
**B: INSPECTION**

**1. FAN SWITCH**

Check continuity between terminals at each switch position.

| Switch position | Terminals |   |   |   |   |     |
|-----------------|-----------|---|---|---|---|-----|
|                 | 1         | 2 | 3 | 4 | 5 | 6   |
| 1               | ○         |   |   |   | ○ | ○   |
| 2               | ○         |   |   | ○ |   | ○   |
| 3               | ○         |   | ○ |   |   | ○   |
| 4               | ○         | ○ |   |   |   | ○   |
|                 | IGN       |   |   |   |   | GND |

H5M1280A



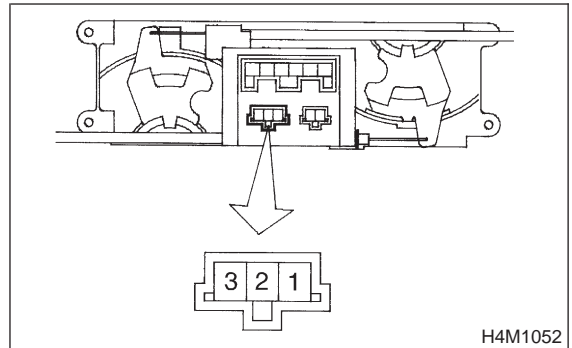
H4M1051

**2. A/C SWITCH**

Check A/C switch continuity between each terminal.

| Terminal | Switch ON | Illumi. |
|----------|-----------|---------|
| 1        |           | ○       |
| 2        | ○         | ○       |
| 3        | ○         | ○       |

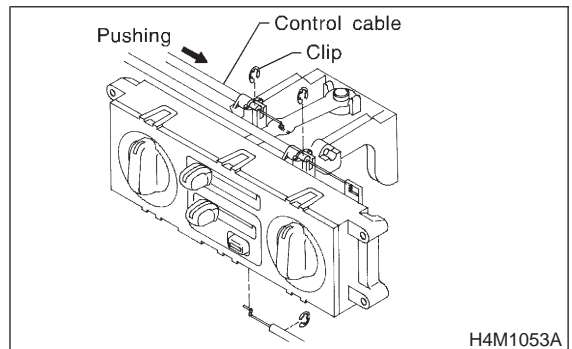
H5M1281A



H4M1052

**C: ADJUSTMENT**

- 1) Operate temperature control switch to "FULL COLD" and mode selector switch to "VENT" position and recirc switch to "RECIRC" position.
- 2) Install control cable to lever. While pushing outer cable, secure control cable with clip.



H4M1053A