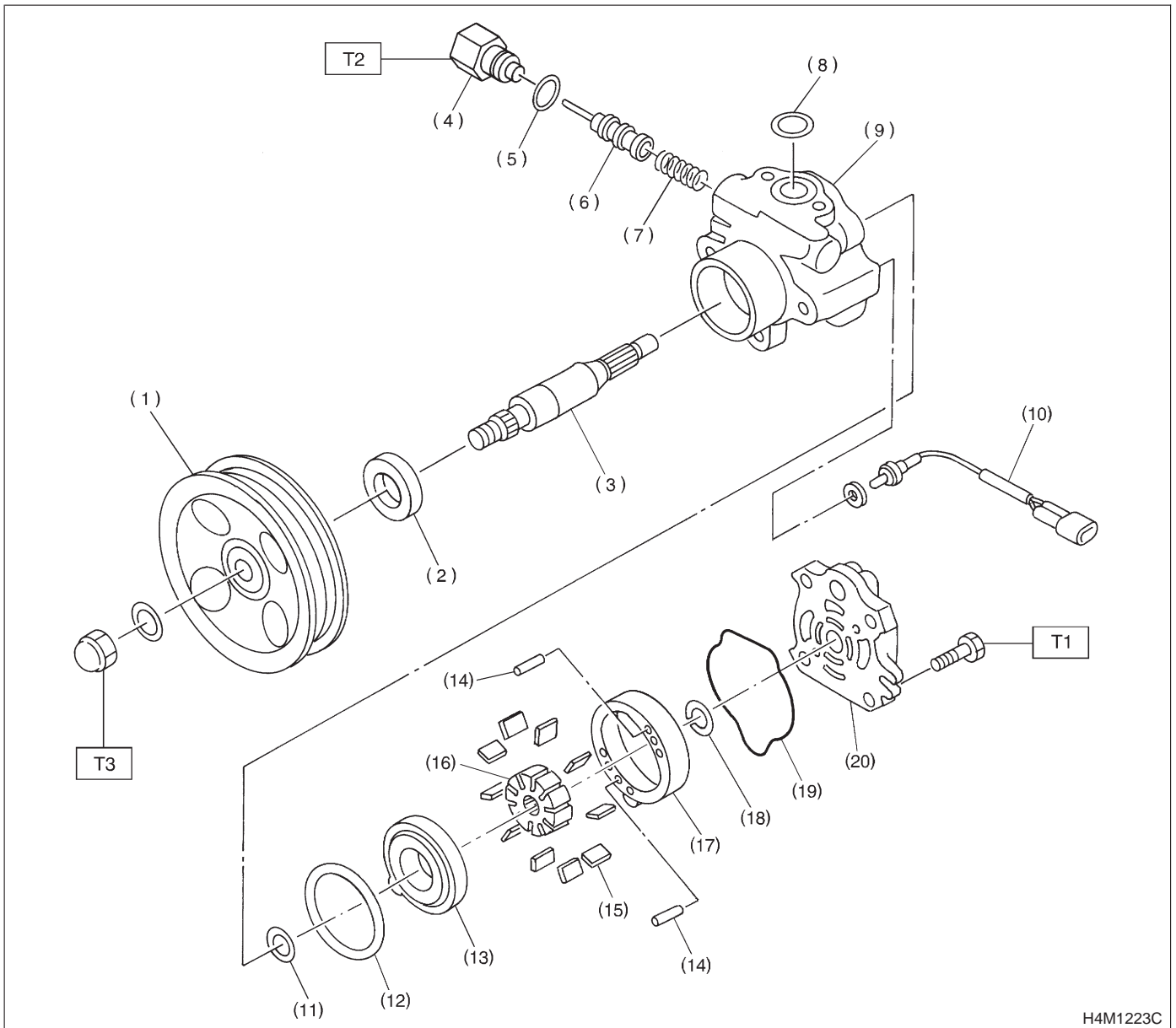


3. Power Steering Oil Pump



H4M1223C

- |                  |                      |                 |
|------------------|----------------------|-----------------|
| (1) Pulley       | (10) Pressure switch | (19) O-ring     |
| (2) Oil seal     | (11) O-ring          | (20) Rear cover |
| (3) Shaft        | (12) O-ring          |                 |
| (4) Connector    | (13) Pressure plate  |                 |
| (5) O-ring       | (14) Straight pin    |                 |
| (6) Spool valve  | (15) Vane            |                 |
| (7) Spring       | (16) Rotor           |                 |
| (8) O-ring       | (17) Cam ring        |                 |
| (9) Front casing | (18) Retaining ring  |                 |

**Tightening torque: N-m (kg-m, ft-lb)**

**T1: 21±3.4 (2.14±0.35, 15.5±2.5)**

**T2: 49±5 (5.0±0.5, 36.2±3.6)**

**T3: 52±10 (5.3±1.0, 38±7)**