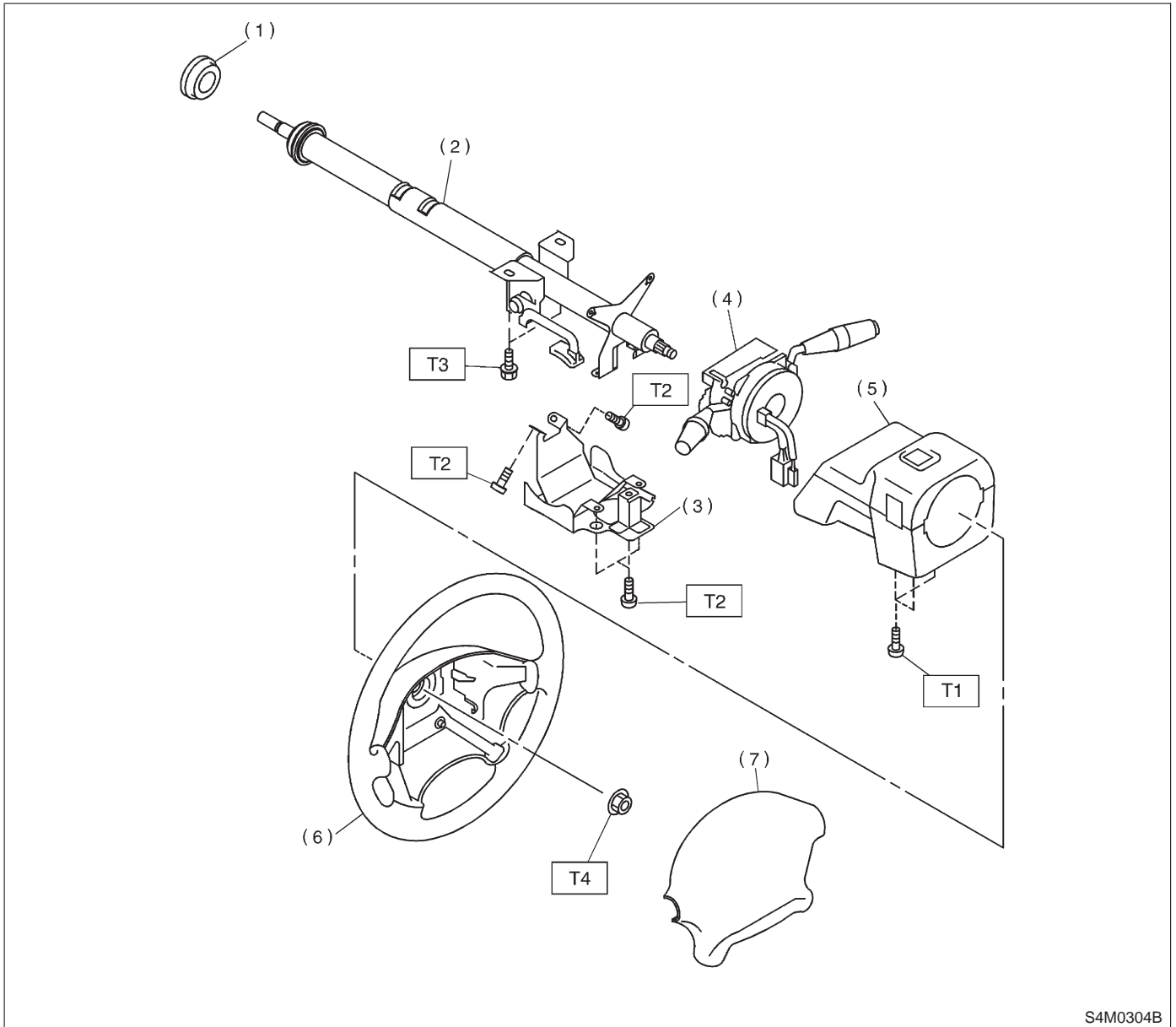


1. Steering Wheel and Column (Tilt)



S4M0304B

- (1) Bushing
- (2) Steering shaft
- (3) Knee protector
- (4) Steering roll connector
- (5) Column cover

- (6) Steering wheel
- (7) Airbag module

**Tightening torque: N-m (kg-m, ft-lb)**

**T1: 1.2±0.2 (0.12±0.02, 0.9±0.1)**

**T2: 3.4±1.0 (0.35±0.1, 2.5±0.7)**

**T3: 25±5 (2.5±0.5, 18.1±3.6)**

**T4: 44±6 (4.5±0.6, 32.5±4.3)**