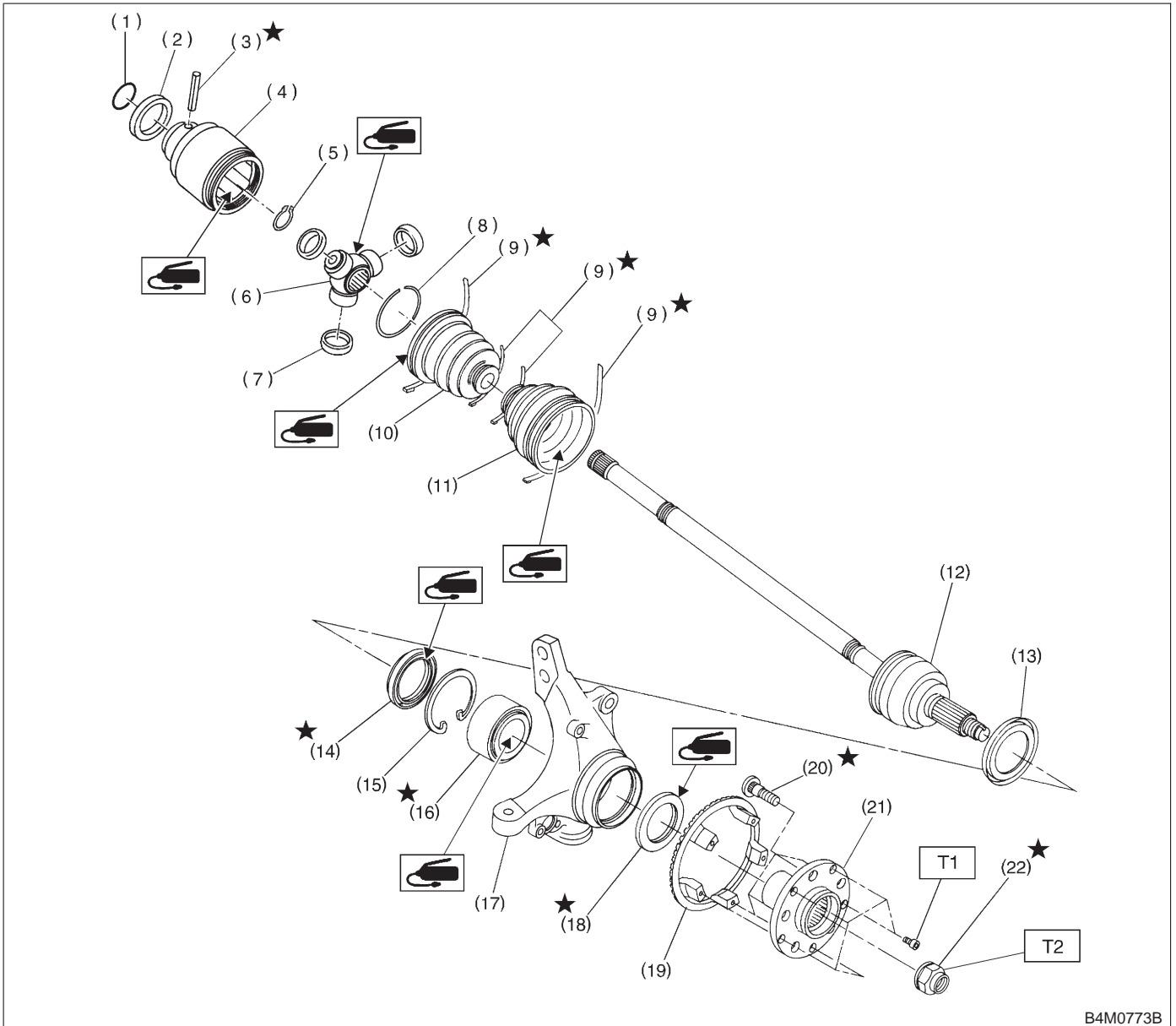


1. Front Axle



B4M0773B

- (1) O-ring
- (2) Baffle plate (SFJ)
- (3) Spring pin
- (4) Outer race (SFJ)
- (5) Snap ring
- (6) Trunnion
- (7) Free ring
- (8) Circlip
- (9) Boot band

- (10) Boot band
- (11) Boot (BJ)
- (12) BJ ASSY
- (13) Baffle plate
- (14) Oil seal (IN)
- (15) Snap ring
- (16) Bearing
- (17) Housing
- (18) Oil seal (OUT)

- (19) Tone wheel
- (20) Hub bolt
- (21) Hub
- (22) Axle nut

**Tightening torque: N-m (kg-m, ft-lb)**  
**T1: 13±3 (1.3±0.3, 9.4±2.2)**  
**T2: 186±20 (19±2, 137±14)**