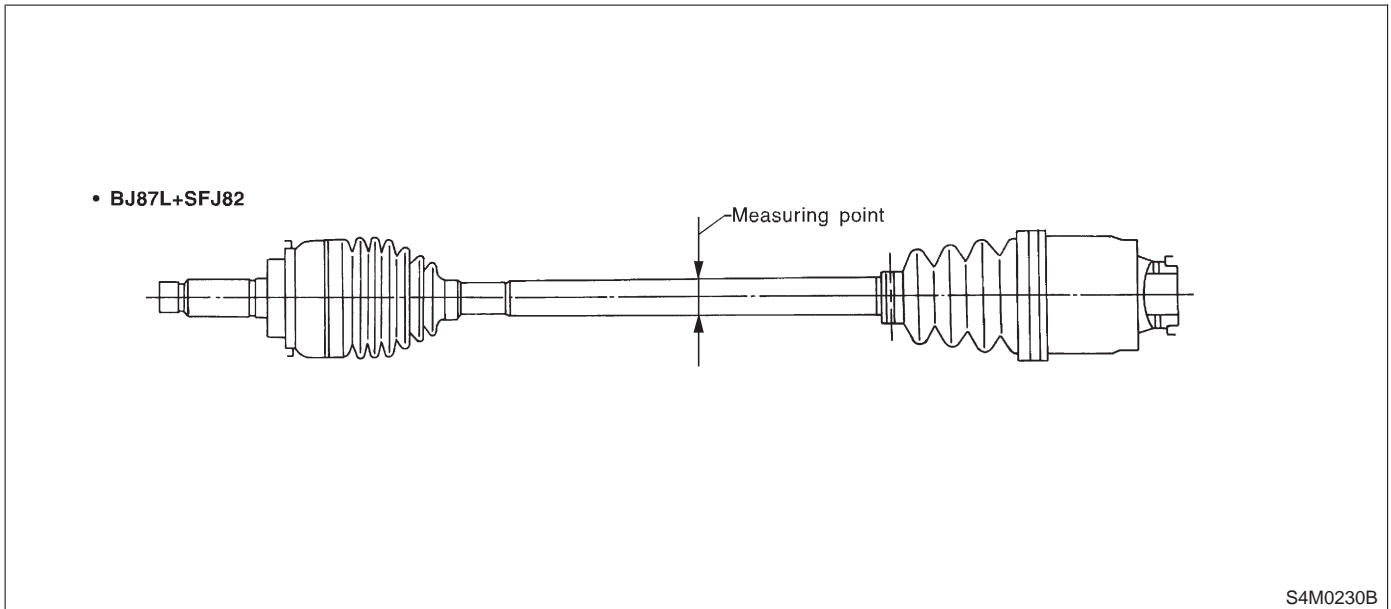


### 3. Front Drive Shaft Assembly

Model	Type of drive shaft assembly	SHAFT
		Shaft diameter
All models	BJ87L+SFJ82	26 mm (1.02 in)



### 4. Rear Drive Shaft Assembly

Type of axle shaft assembly	SHAFT
	No. of identification paddings on shaft
79AC	None
79AC-RH	1 (One)
79AC-LH	1 (One)

