

ATTENTION:

GENERAL MANAGER PARTS MANAGER
 CLAIMS PERSONNEL SERVICE MANAGER

IMPORTANT - All Service Personnel Should Read and Initial



SERVICE BULLETIN

APPLICABILITY: All Subaru Vehicles Equipped with child Restraint Top Tether Anchor Points **NUMBER:** 17-04-99
DATE: 11/17/99

SUBJECT: Installation of Top Tether Anchor Kits

Effective with vehicles produced on or after September 1, 1999, in accordance with Federal Motor Vehicle Safety Standard 225, all Subaru vehicles will be equipped with top tether anchor hooks for use with forward facing child restraint seats and booster seats. All 2000 model year Subaru vehicles will be equipped in production with 3 top tether anchor hooks. The tether strap that connects the top of the child restraint to the anchor hook must be supplied by the manufacturer of the child restraint.

TOP TETHER ANCHOR KITS FOR OLDER MODELS

This new requirement for 2000 model year vehicles may cause customer demand for installation of top tether anchor kits on earlier model vehicles. You should be prepared to install these factory supplied top tether anchor kits on customer request in 1985 and later Subaru vehicles. Anchor kits are not available for 1987 and 1988 Justy models (which began in 1989MY) in accordance with the attached Chart 1. Installation instructions are included with the anchor kit. Anchor points are shown in Figures 1 through 5 for all models. On 1995 through 1999 Legacy Sedan vehicles, the package shelf material is not cut out at the anchor pint location. You must locate the threaded anchor point from the trunk side of the package shelf and cut out the package shelf material to accommodate the anchor kit bolt.

Chart 1- ANCHOR KIT APPLICATION

Part Number	MY	Model/Application	Note
796031110	89-94	Justy	Gray
96031AA080BI	90-91	Legacy (SED)	Blue
96031AA080BK	92-94	Legacy (SED)	Blue
96031AA080EL	90-91	Legacy (SED)	Beige
96031AA080EM	92-94	Legacy (SED)	Beige
96031AA080LM	90-91	Legacy (SED)	Gray
96031AA080MJ	92-94	Legacy (SED)	Gray
96031AA080ML	93-94	Legacy (SED)	Black
96031AA090BI	90-91	Legacy (WAG)	Blue
96031AA090BK	92-94	Legacy (WAG)	Blue

Continued on next page...

CAUTION

VEHICLE SERVICING PERFORMED BY UNTRAINED PERSONS COULD RESULT IN SERIOUS INJURY TO THOSE PERSONS OR TO OTHERS.
 Subaru Service Bulletins are intended for use by professional technicians ONLY. They are written to inform those technicians of conditions that may occur in some vehicles, or to provide information that could assist in the proper servicing of the vehicle. Properly trained technicians have the equipment, tools, safety instructions, and know-how to do the job correctly and safely. If a condition is described, DO NOT assume that this Service Bulletin applies to your vehicle, or that your vehicle will have that condition.

Part Number	MY	Model/Application	Note
96031AA090EL	90-91	Legacy (WAG)	Beige
96031AA090EM	92-94	Legacy (WAG)	Beige
96031AA090LM	90-91	Legacy (WAG)	Gray
96031AA090MJ	92-94	Legacy (WAG)	Gray
96031AA090ML	92-94	Legacy (WAG)	Black
96031AC000MU	95-99	Legacy (SED)	Dark Gray
96031AC000RA	95-99	Legacy (SED)	Reddish Gray
96031AC070	95-99	Legacy (WAG)	Dark Gray
96031AC080	95-99	Legacy (WAG)	Reddish Gray
96031FA000EM	93-99	Impreza (SED & CPE)	Beige
96031FA000MJ	93-99	Impreza (SED & CPE)	Gray
96031FA010EM	93-99	Impreza (WAG)	Beige
96031FA010MJ	93-99	Impreza (WAG)	Gray
96031GA060BE	85-94 85-89	Leone/Loyale (3DR & WAG) 2DR HB	Blue
96031GA060LR	85-94 85-89	Leone/Loyale (3DR & WAG) 2DR HB	Gray
96031GA070BE	85-93 85-89	Leone/Loyale (SED) XT	Blue
96031GA070LR	85-93 85-91	Leone/Loyale (SED) XT & XT6	Gray
96031PA000	92-97	SVX	Gray
96031PA030	92-97	SVX	Beige
96030FC110	98-99	Forester	Gray
96030FC120	98-99	Forester	Beige

INSTALLATION OF ANCHOR KIT

1. Remove the various pieces of the anchor kit from the package and assemble the anchor bolt through the anchor bracket, spacer and washer (Figure 6).
2. Remove the cover (or cut the package shelf material on 1995-1999 Legacy Sedan) from the anchor installation point on the vehicle. Install the assembled anchor kit (Figure 6) directly behind the seating position to be utilized for the child restraint as shown in the attached Figures (1 thru 5) for the particular model and screw the anchor bolt into the threaded anchor point on the vehicle. Tighten the anchor bolt to 20 foot pounds with a torque wrench.
3. Install the anchor plate cover (Figure 6).
4. Refer the owner to the Child Restraint System section (Section 2) of the Owners Manual for instructions on how to attach the child restraint top tether strap hook to the anchor.

FIGURE 1- Anchor Points for Legacy Sedan and Wagon, Loyale Sedan and Wagon and Impreza Sedan

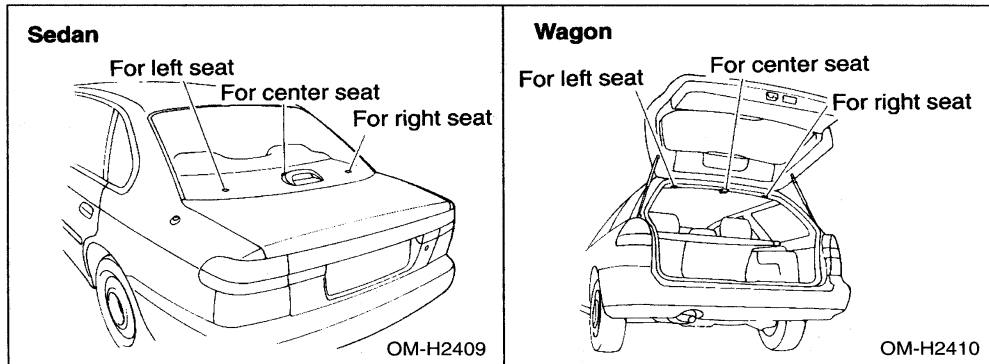


FIGURE 2- Impreza Wagon Anchor Points

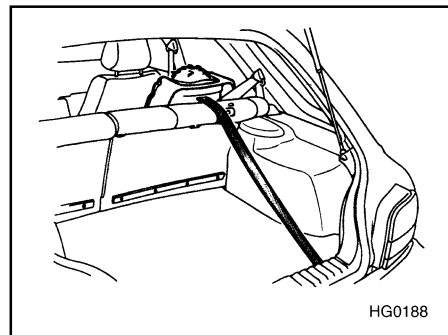
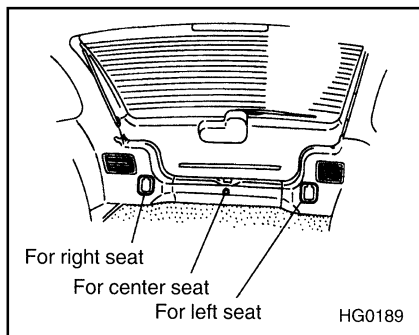


FIGURE 3- Justy Anchor Points

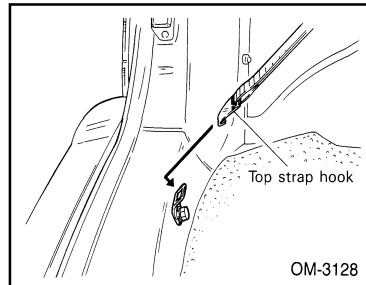
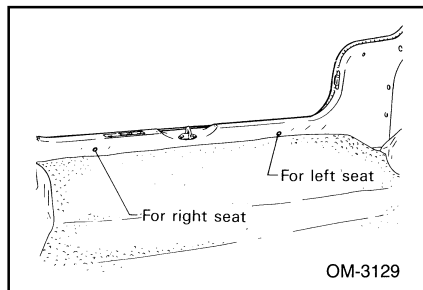


FIGURE 4- Loyale 3-Door Anchor Points

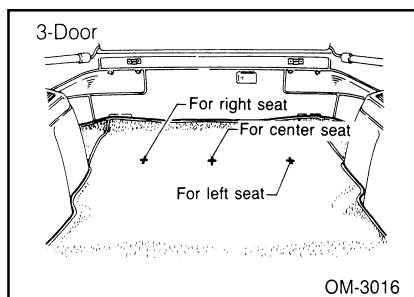


FIGURE 5-2 Door Hatchback Anchor Points

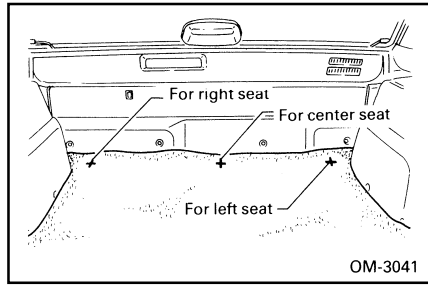
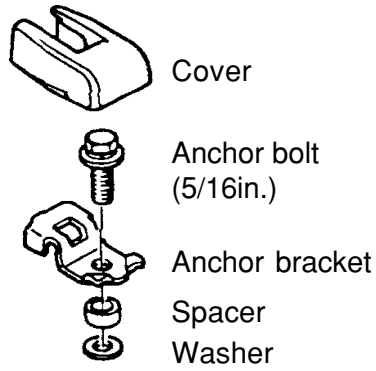


FIGURE 6- Assembly of Anchor Kit

**All Models Except
Justy**



Justy

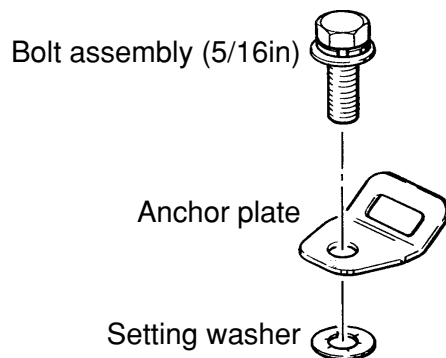
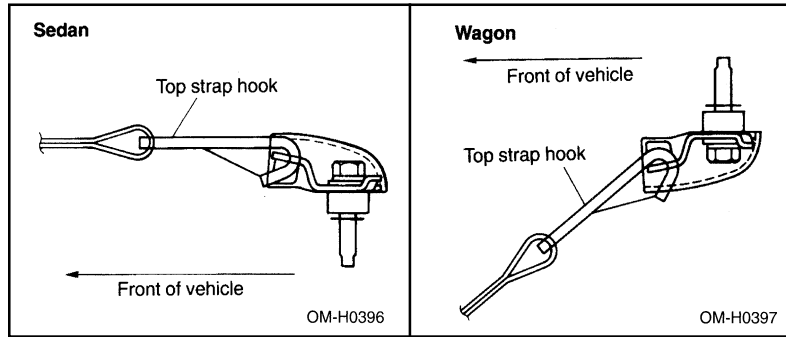
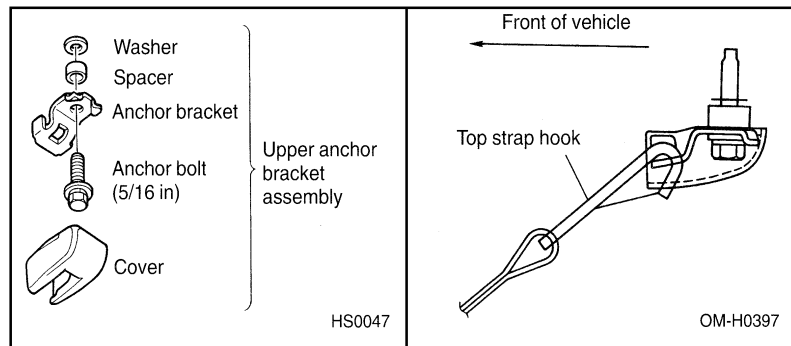


FIGURE 7- Anchor Kit Installation

Legacy, Legacy Outback
Loyale, Impreza Sedan &
Impreza Coupe



Forester



Impreza Wagon &
Outback Sport

