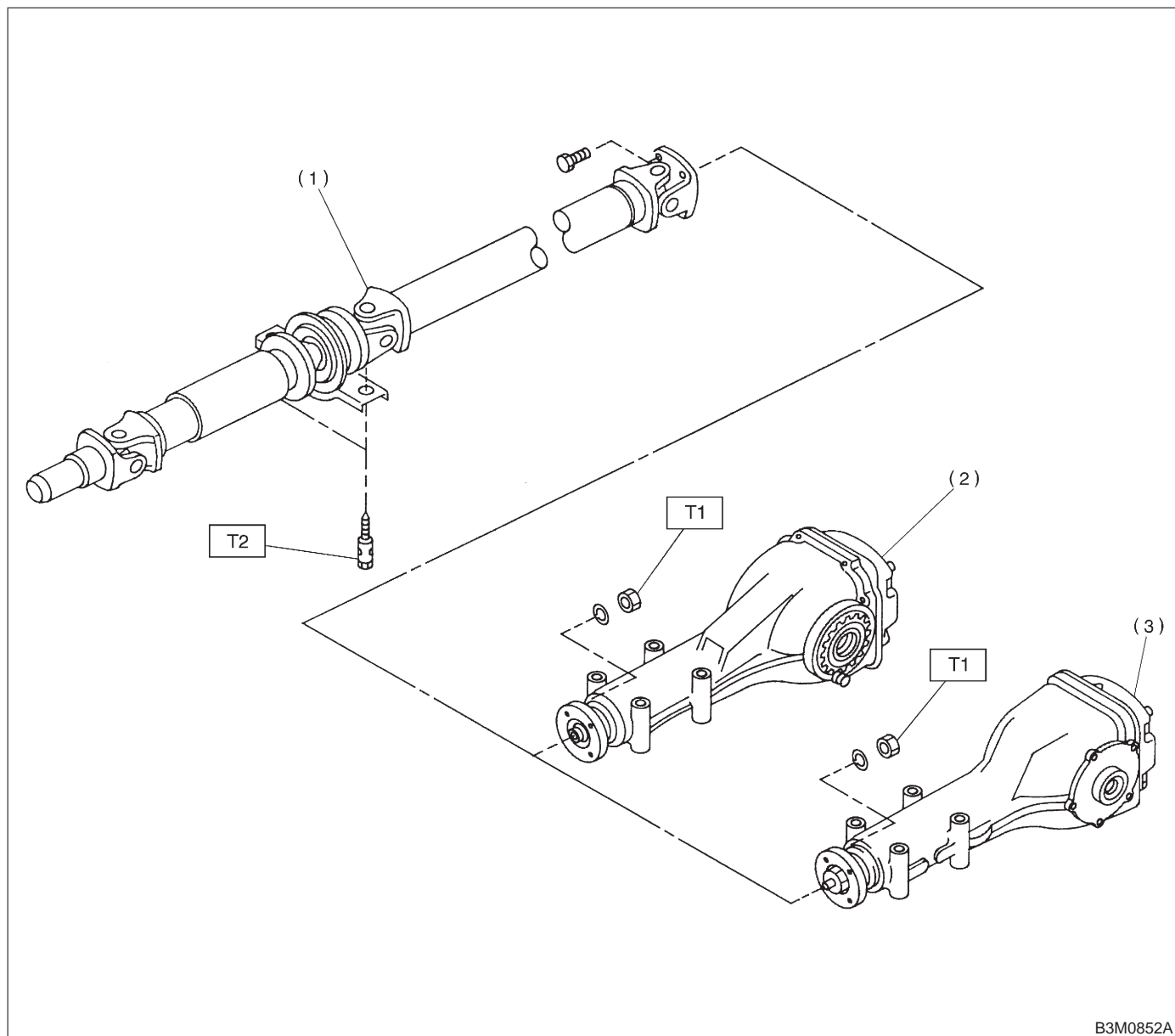


1. Propeller Shaft



B3M0852A

- (1) Propeller shaft
- (2) Rear differential (VA-type)
- (3) Rear differential (T-type)

Tightening torque: N-m (kg-m, ft-lb)

T1: 31±8 (3.2±0.8, 23.1±5.8)

T2: 52±5 (5.3±0.5, 38.3±3.6)