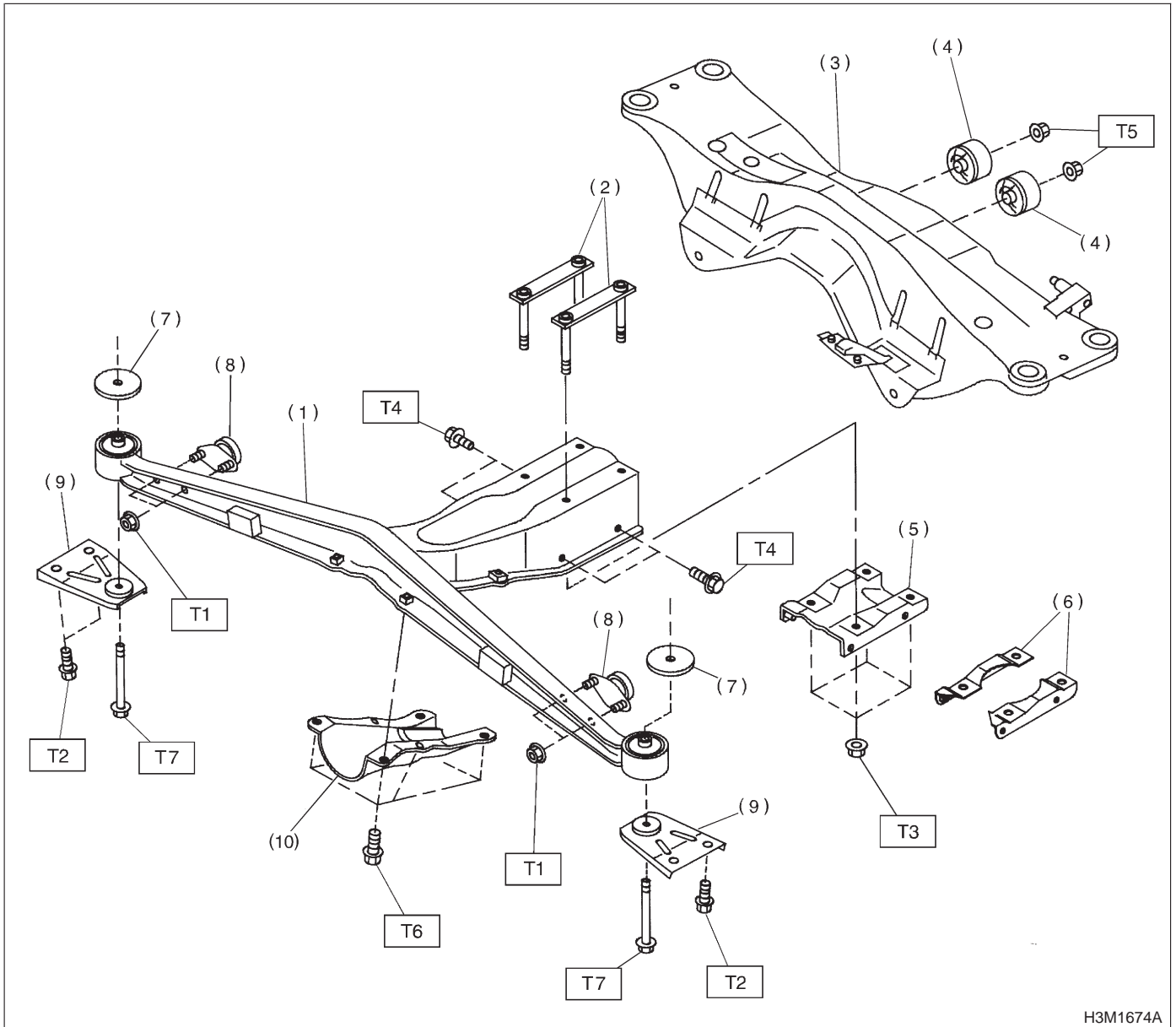


3. Rear Differential Mounting System



- | | |
|---|-------------------------------------|
| (1) Differential front member | (7) Stopper |
| (2) Plate | (8) Dynamic damper |
| (3) Crossmember | (9) Differential mount bracket |
| (4) Rear bushing | (10) Differential mount front cover |
| (5) Differential mount lower bracket
(2500 cc model) | |
| (6) Differential mount lower bracket
(2200 cc model) | |

Tightening torque: N-m (kg-m, ft-lb)

- T1: 20±5 (2.0±0.5, 14.5±3.6)**
T2: 32±8 (3.3±0.8, 23.9±5.8)
T3: 64±8 (6.5±0.8, 47.0±5.8)
T4: 69⁺¹³/₋₈ (7.0^{+1.3}/_{-0.8}, 50.6^{+9.4}/_{-5.8})
T5: 69±10 (7.0±1.0, 51.0±7.2)
T6: 88±10 (9.0±1.0, 65.0±7.2)
T7: 98±10 (10.0±1.0, 72.0±7.2)