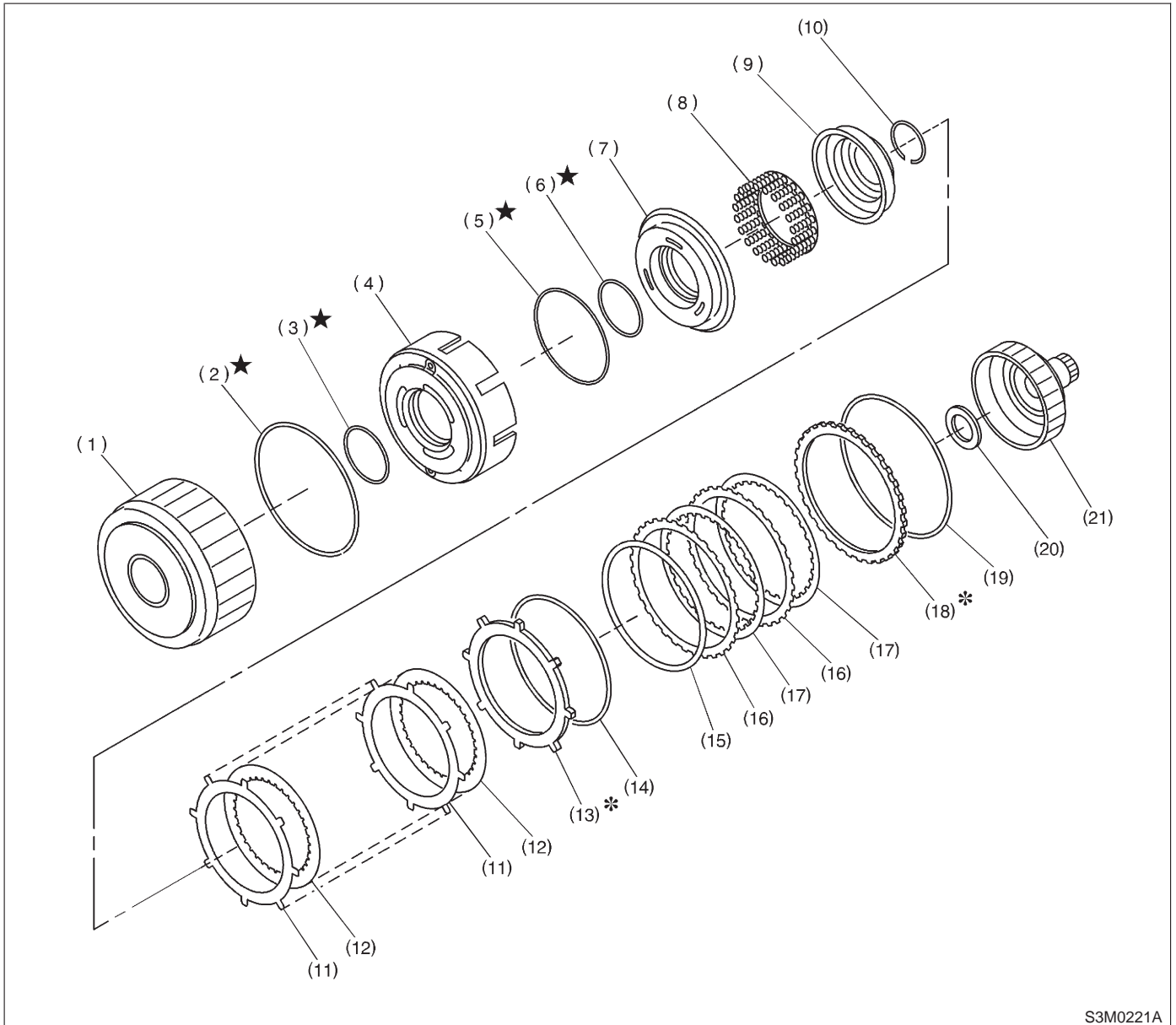


5. High Clutch and Reverse Clutch



S3M0221A

- | | | |
|---------------------------|----------------------|----------------------------|
| (1) High clutch drum | (8) Spring retainer | (15) Dish plate |
| (2) Lip seal | (9) Cover | (16) Driven plate |
| (3) Lathe cut seal ring | (10) Snap ring | (17) Drive plate |
| (4) Reverse clutch piston | (11) Driven plate | (18) Retaining plate |
| (5) Lathe cut seal ring | (12) Drive plate | (19) Snap ring |
| (6) Lathe cut seal ring | (13) Retaining plate | (20) Thrust needle bearing |
| (7) High clutch piston | (14) Snap ring | (21) High clutch hub |