

3-2 [W21A0]

21. Transfer Valve Body

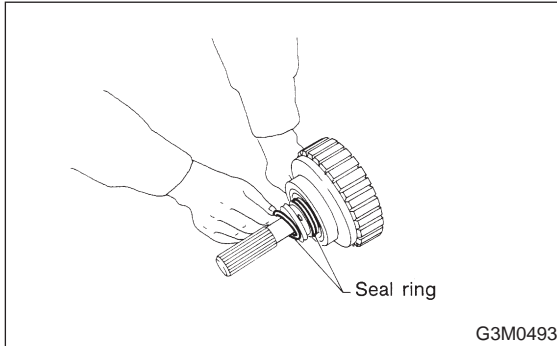
SERVICE PROCEDURE

11) Coat the seal ring with vaseline, and install it in the seal ring groove of the shaft.

CAUTION:

Do not expand the seal ring excessively when installing.

ST 899580100 INSTALLER



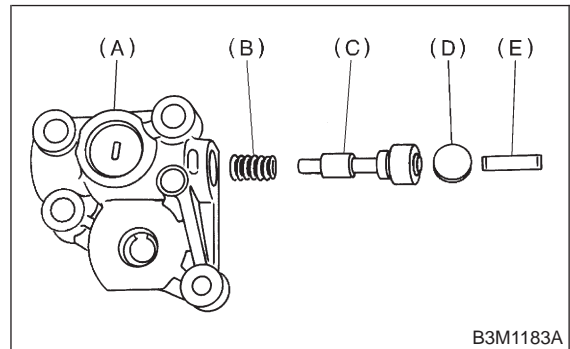
21. Transfer Valve Body

A: DISASSEMBLY

- 1) Separate duty solenoid C (transfer) and transfer valve body.
- 2) Remove the stopper plate and pry out the plug with a screwdriver. Then extract the spring and transfer control valve together.

CAUTION:

Be careful not to damage the valve and valve body.



- (A) Transfer valve body
- (B) Return spring
- (C) Transfer control valve
- (D) Plug
- (E) Stopper plate

B: INSPECTION

Check each component for harmful cuts, damage, or other faults.

C: ASSEMBLY

To assemble, reverse the removal sequence.

NOTE:

Make sure the valve slides smoothly after assembling.