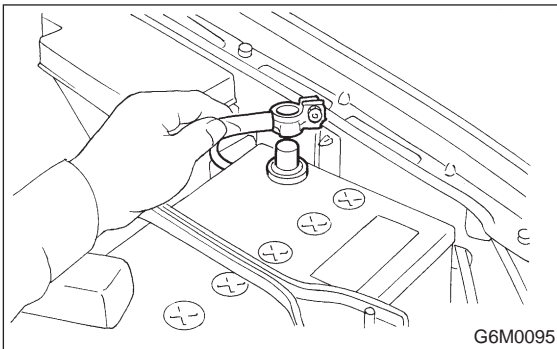


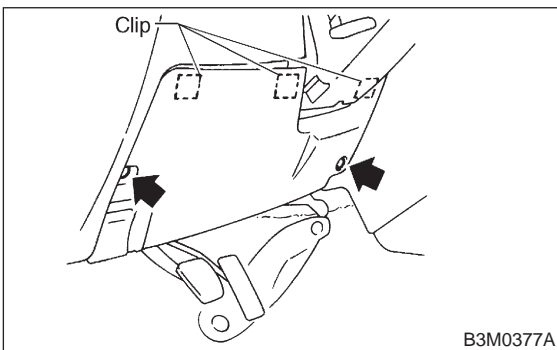
## 22. Transmission Control Module

### A: REMOVAL

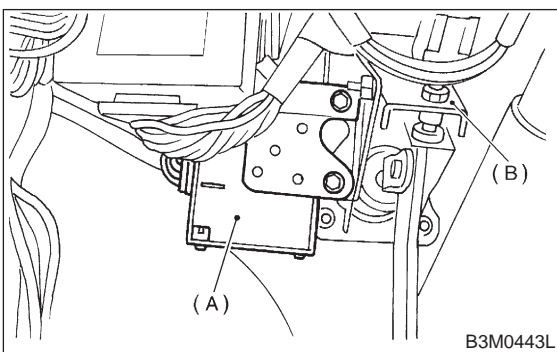
- 1) Disconnect battery ground cable.



- 2) Remove lower cover and then disconnect connector.



- 3) Remove transmission control module.



- (A) Transmission control module
- (B) Pedal bracket

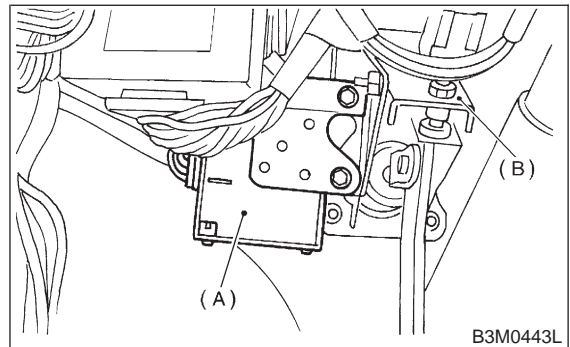
- 4) Disconnect connectors from TCM.

### B: INSTALLATION

- 1) Connect connectors to TCM.
- 2) Install TCM to steering support beam.

**Tightening torque:**

**$7.4 \pm 2.0 \text{ N}\cdot\text{m}$  ( $0.75 \pm 0.2 \text{ kg}\cdot\text{m}$ ,  $5.4 \pm 1.4 \text{ ft}\cdot\text{lb}$ )**



- (A) Transmission control module
- (B) Pedal bracket

- 3) Remove TCM from steering support beam.