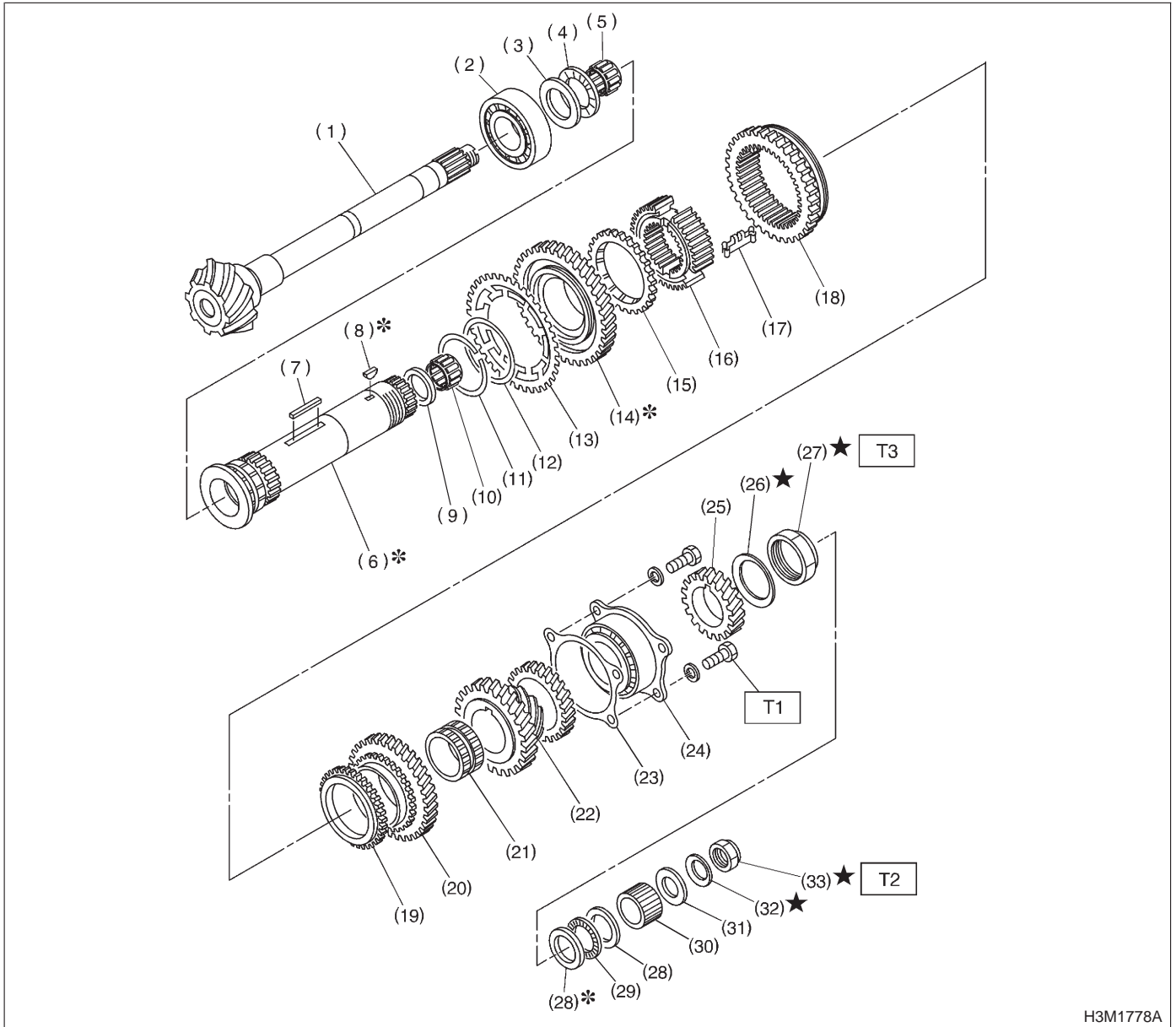


## 2. Drive Pinion Assembly

### A: 2200 cc MODEL



H3M1778A

- |                         |                               |                                     |
|-------------------------|-------------------------------|-------------------------------------|
| (1) Drive pinion shaft  | (14) 1st driven gear          | (27) Lock nut                       |
| (2) Roller bearing      | (15) Baulk ring               | (28) Washer                         |
| (3) Washer              | (16) 1st-2nd synchronizer hub | (29) Thrust bearing                 |
| (4) Thrust bearing      | (17) Insert key               | (30) Differential bevel gear sleeve |
| (5) Needle bearing      | (18) Reverse driven gear      | (31) Washer                         |
| (6) Driven shaft        | (19) Baulk ring               | (32) Lock washer                    |
| (7) Key                 | (20) 2nd driven gear          | (33) Lock nut                       |
| (8) Woodruff key        | (21) 2nd driven gear bush     |                                     |
| (9) Drive pinion collar | (22) 3rd-4th driven gear      |                                     |
| (10) Needle bearing     | (23) Driven pinion shim       |                                     |
| (11) Snap ring (Outer)  | (24) Roller bearing           |                                     |
| (12) Washer             | (25) 5th driven gear          |                                     |
| (13) Sub gear           | (26) Lock washer              |                                     |

**Tightening torque: N·m (kg·m, ft·lb)**

**T1: 29±3 (3.0±0.3, 21.7±2.2)**

**T2: 118±8 (12.0±0.8, 86.8±5.8)**

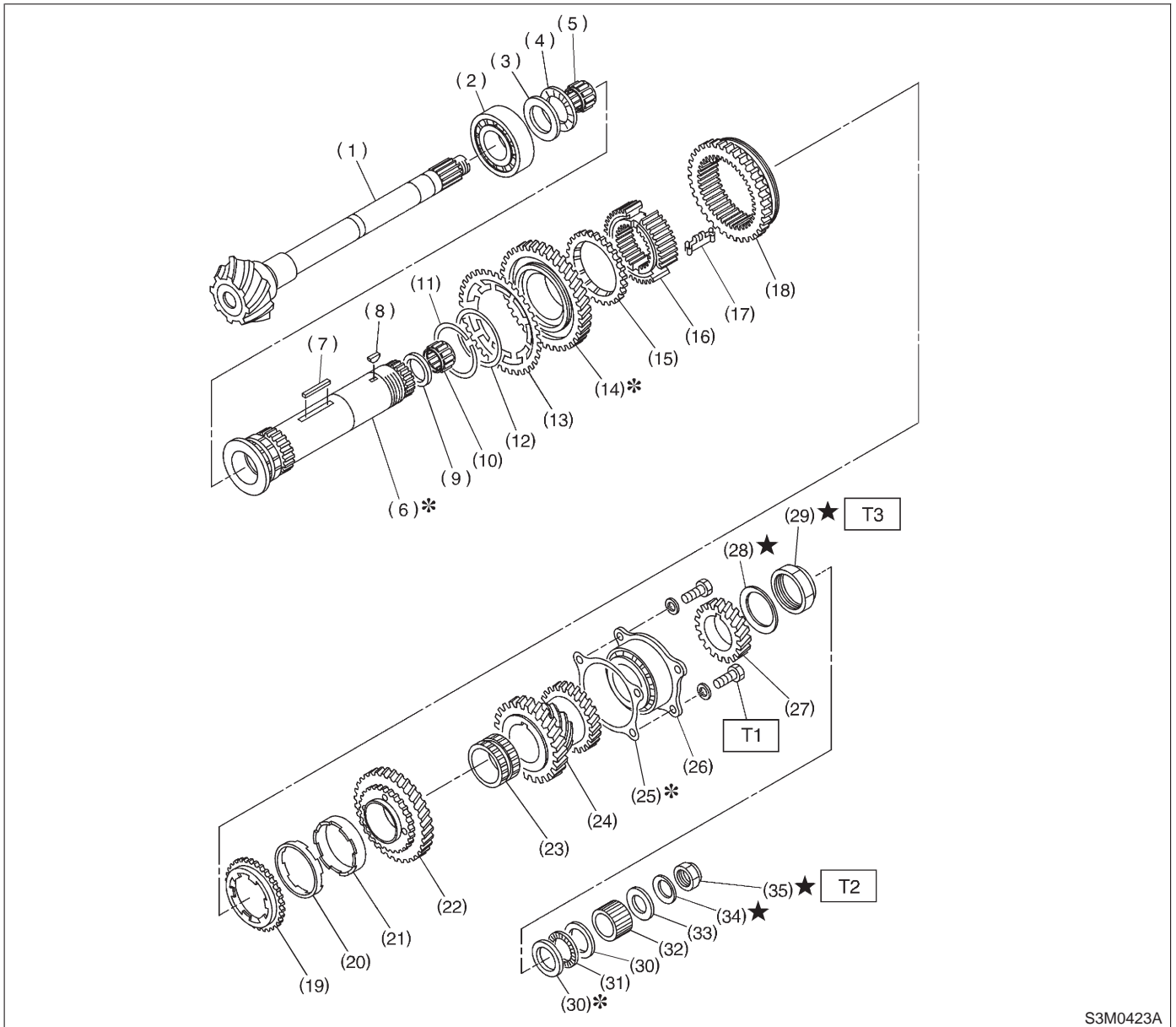
**T3: 265±10 (27±1, 195±7)**

### 3-1 [C2B0]

#### 2. Drive Pinion Assembly

## COMPONENT PARTS

### B: 2500 cc MODEL



S3M0423A

- |                         |                               |                                     |
|-------------------------|-------------------------------|-------------------------------------|
| (1) Drive pinion shaft  | (15) Baulk ring               | (29) Lock nut                       |
| (2) Roller bearing      | (16) 1st-2nd synchronizer hub | (30) Washer                         |
| (3) Washer              | (17) Insert key               | (31) Thrust bearing                 |
| (4) Thrust bearing      | (18) Reverse driven gear      | (32) Differential bevel gear sleeve |
| (5) Needle bearing      | (19) Outer baulk ring         | (33) Washer                         |
| (6) Driven shaft        | (20) Synchro cone             | (34) Lock washer                    |
| (7) Key                 | (21) Inner baulk ring         | (35) Lock nut                       |
| (8) Woodruff key        | (22) 2nd driven gear          |                                     |
| (9) Drive pinion collar | (23) 2nd driven gear bush     |                                     |
| (10) Needle bearing     | (24) 3rd-4th driven gear      |                                     |
| (11) Snap ring (Outer)  | (25) Driven pinion shim       |                                     |
| (12) Washer             | (26) Roller bearing           |                                     |
| (13) Sub gear           | (27) 5th driven gear          |                                     |
| (14) 1st driven gear    | (28) Lock washer              |                                     |

**Tightening torque: N-m (kg-m, ft-lb)**

**T1: 29±3 (3.0±0.3, 21.7±2.2)**

**T2: 118±8 (12.0±0.8, 86.8±5.8)**

**T3: 265±10 (27±1, 195±7)**