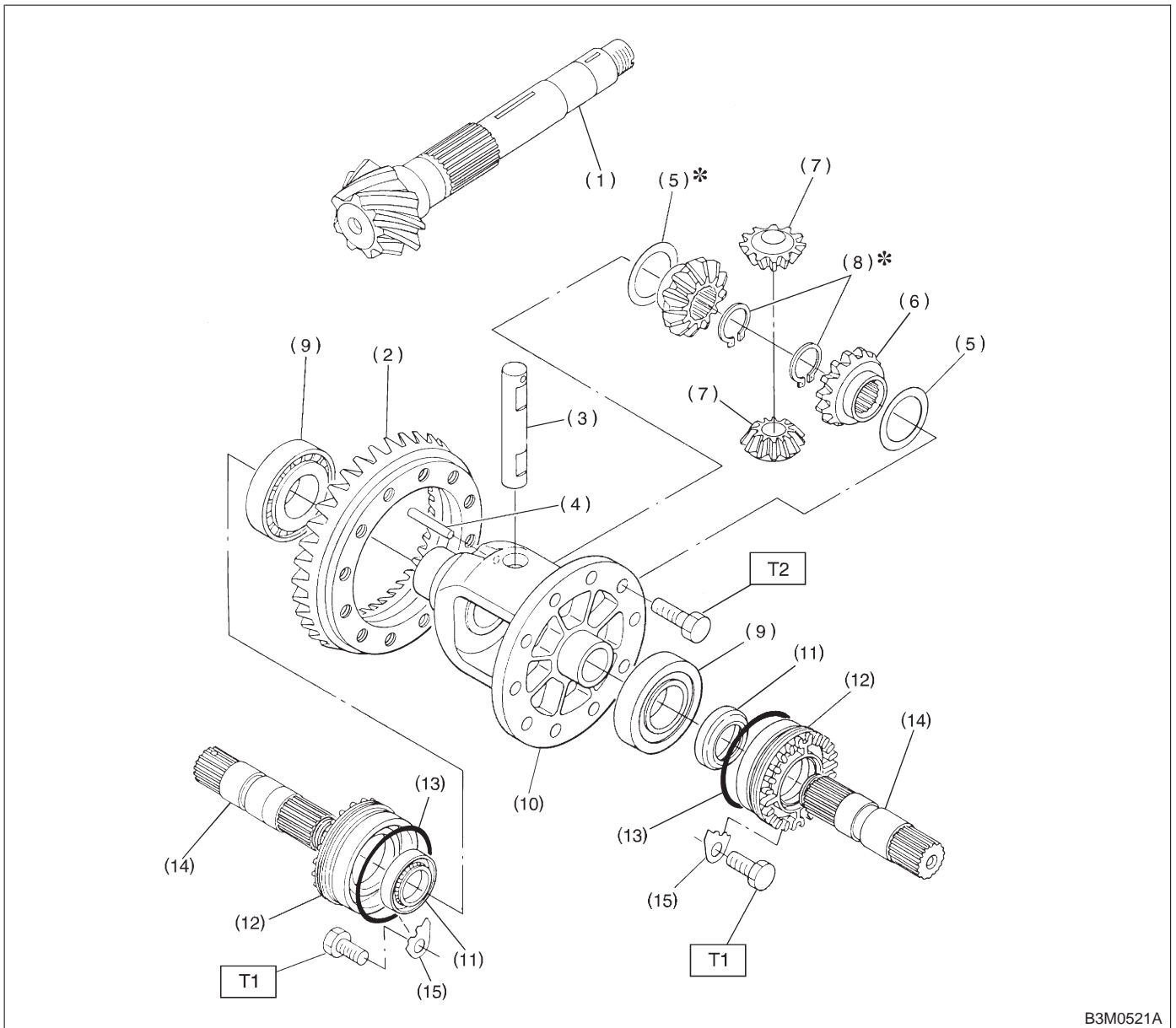


6. Front Differential



B3M0521A

- | | |
|-------------------------------|---------------------------------|
| (1) Drive pinion shaft | (8) Snap ring (Outer) |
| (2) Hypoid driven gear | (9) Roller bearing |
| (3) Pinion shaft | (10) Differential case |
| (4) Straight pin | (11) Oil seal |
| (5) Washer | (12) Differential side retainer |
| (6) Differential bevel gear | (13) O-ring |
| (7) Differential bevel pinion | (14) Axle drive shaft |

- (15) Retainer lock plate

Tightening torque: N·m (kg·m, ft·lb)

T1: 25±5 (2.5±0.5, 18.1±3.6)

T2: 62±5 (6.3±0.5, 45.6±3.6)