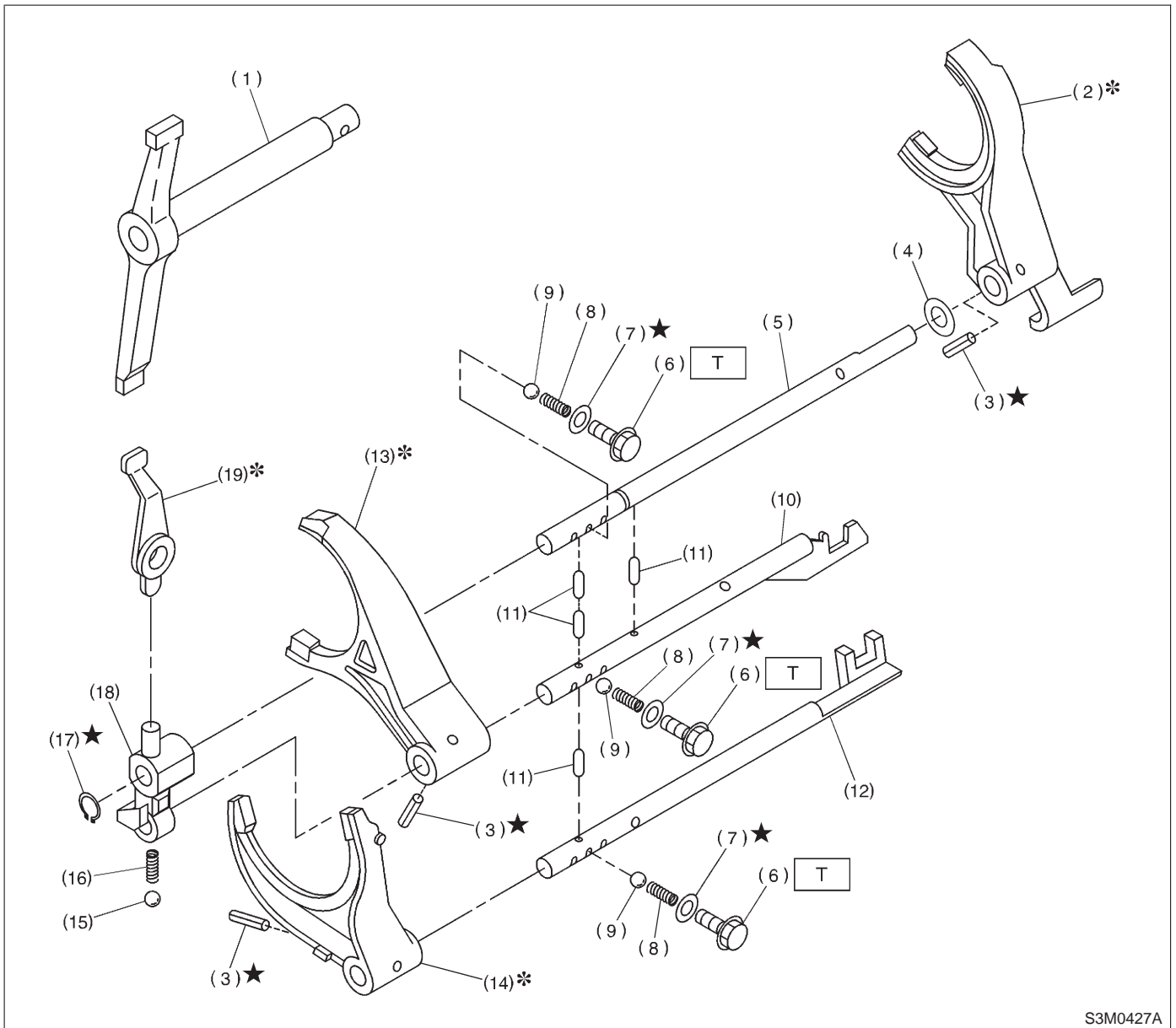


4. Shifter Fork and Shifter Rod



S3M0427A

- (1) Shifter arm
- (2) 5th shifter fork
- (3) Straight pin
- (4) Washer
- (5) Reverse fork rod
- (6) Checking ball plug
- (7) Gasket
- (8) Checking ball spring

- (9) Ball
- (10) 3rd-4th fork rod
- (11) Interlock plunger
- (12) 1st-2nd fork rod
- (13)* 3rd-4th shifter fork
- (14)* 1st-2nd shifter fork
- (15) Ball
- (16) Spring

- (17) Snap ring (Outer)
- (18) Reverse fork rod arm
- (19) Reverse shifter lever

Tightening torque: N·m (kg·m, ft·lb)
T: 19.6±1.5 (2.00±0.15, 14.5±1.1)