

7. Center Differential

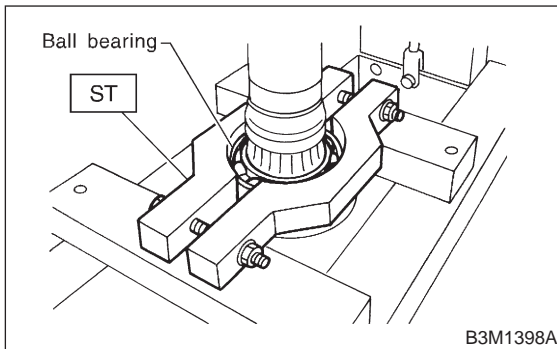
A: DISASSEMBLY AND ASSEMBLY

1) Remove ball bearing using ST.

CAUTION:

Do not reuse ball bearing.

ST 498077300 CENTER DIFFERENTIAL
BEARING REMOVER



2) Install ball bearing to center differential assembly.

NOTE:

Do not disassemble center differential because it is a non-disassemble part.

