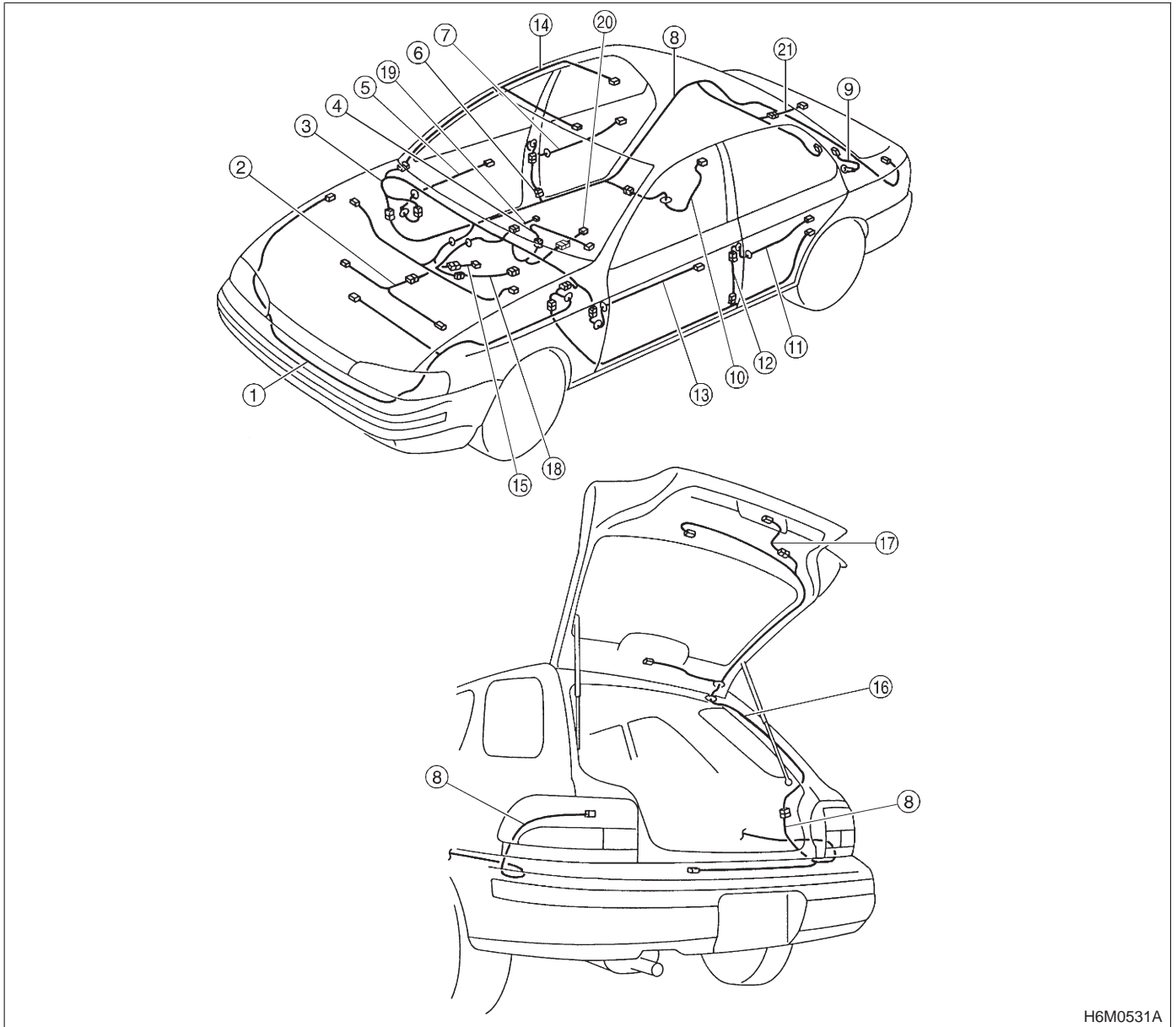


6. Electrical Wiring Harness and Ground Point

A: OVERALL LOCATION



H6M0531A

- | | | |
|------------------------------------|---------------------------------|--------------------------------------|
| (1) Front wiring harness | (8) Rear wiring harness | (15) Transmission cord |
| (2) Engine wiring harness | (9) Rear defogger cord (Ground) | (16) Rear gate cord |
| (3) Bulkhead wiring harness | (10) Fuel tank cord | (17) Rear gate lock adapter cord |
| (4) Instrument panel meter harness | (11) Rear door cord LH | (18) Rear oxygen sensor cord |
| (5) Front door cord RH | (12) Rear door adapter cord LH | (19) Instrument panel center harness |
| (6) Rear door adapter cord RH | (13) Front door cord LH | (20) Combination switch cord |
| (7) Rear door cord RH | (14) Roof cord | (21) Trunk lid cord |

B: FRONT WIRING HARNESS**1. LIST OF ITEMS**

Connector				Connecting to	
No.	Pole	Color	Area	No.	Name
F2	16	Blue	B-4	B100	Bulkhead wiring harness (ABS)
F3	2	★	B-1		Front turn signal light RH
F5	1 × 2	★	B-1		Horn
F6	2	Black	B-1		Front fog light RH (2500 cc engine model)
F7	3	★	B-1		Headlight RH
F16	2	Black	B-1		Sub fan motor
F17	2	Black	B-2		Radiator main fan motor
F19	2	★	C-3		Front turn signal light LH
F21	2	Black	C-2		Front fog light LH (2500 cc engine model)
F23	3	★	B-2		Headlight LH
F24	3	Gray	B-2		A/C compressor
F25	1	★	B-2		Generator
F26	3	Green	B-2		
F27	4	★	B-3		A/C fuse (Relay holder)
F28	4	★	B-3		A/C sub fan relay (Relay holder)
F31	4	★	B-3		A/C relay (Relay holder)
F32	2	Green	B-3		Front washer motor
F33	2	★	B-3		Rear washer motor
F34	4	★	B-3		SBF holder
F35	2	★	B-3		M/B
F36	3	★	B-3		
F37	6	Black	B-3		
F38	1	★	B-3		
F39	8	Black	B-3		
F40	9	Brown	B-4		F/B
F41	7	Gray	B-4		
F44	8	★	B-4	B61	Bulkhead wiring harness
F45	20	★	B-4	B62	
F46	8	★	B-4	B108	
F49	31	★	B-2		ABS control module
F51	2	★	B-2		Side turn signal light RH
F52	2	Gray	B-1		Front clearance light RH
F53	2	Gray	C-3		Front clearance light LH
F54	2	★	B-4		Side turn signal light LH
F55	12	★	B-4	R49	Rear wiring harness (ABS)
F62	6	★	B-1	F63	Shield joint connector (ABS)
F63	6	★	B-1	F62	
F64	1	★	B-2		ABS motor ground
F66	4	★	B-3		Radiator main fan relay (Relay holder)
F67	2	★	B-3		FWD switch (Relay holder)
F68	4	Black	B-3		M/B
F70	2	★			Front fog light (Except 2500 cc engine model)

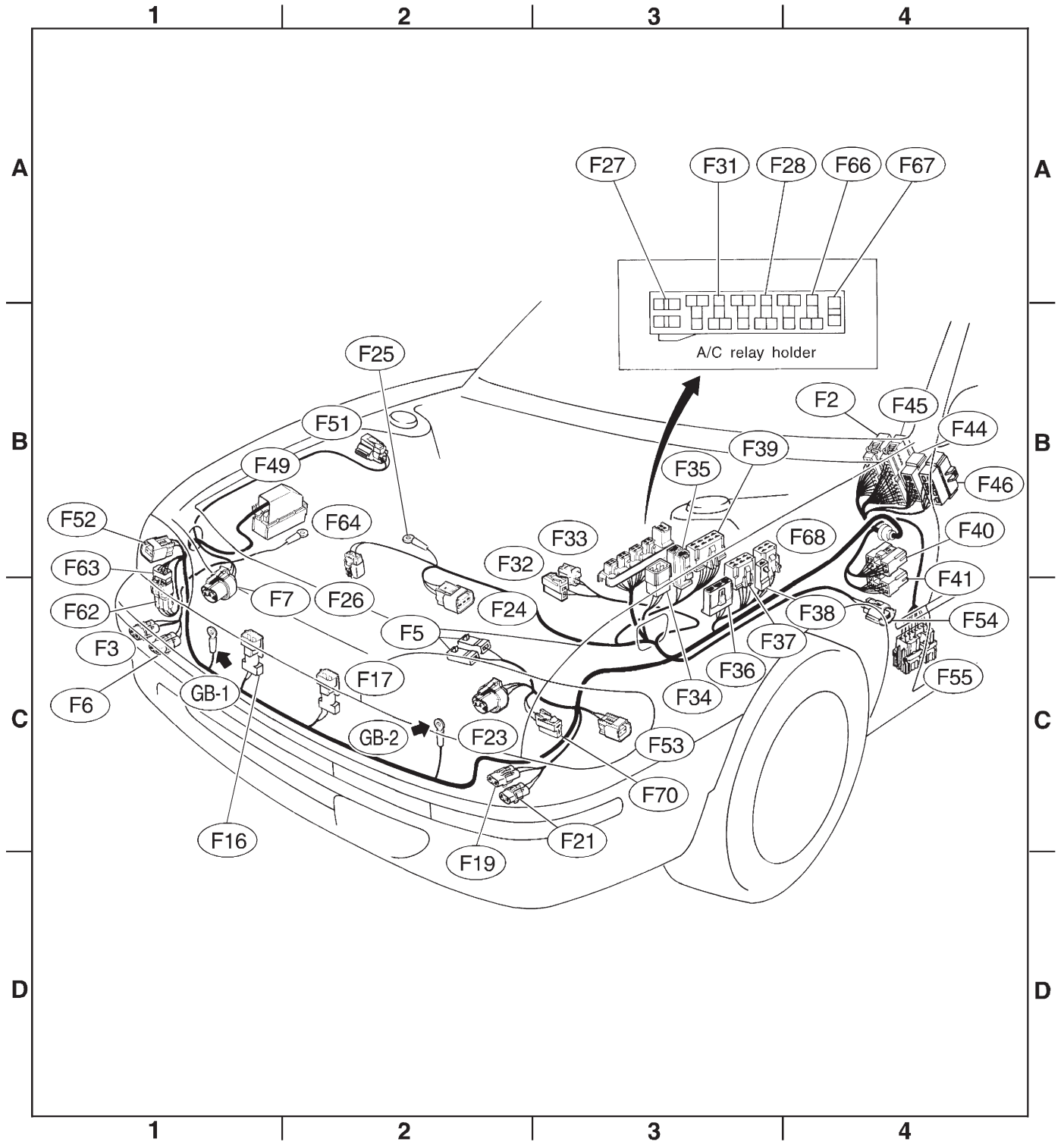
★: Non-colored

WIRING DIAGRAM

[D6B2] 6-3

6. Electrical Wiring Harness and Ground Point

2. LOCATION



C: BULKHEAD WIRING HARNESS (IN ENGINE ROOM)**1. LIST OF ITEMS**

Connector				Connecting to	
No.	Pole	Color	Area	No.	Name
B4	4	Gray	B-1		AT dropping resistor
B5	2	Gray	B-2		Resistor (Daytime running light) (Except for Canada model)
B6	2	★	B-2		ABS front sensor RH
B7	4	★	B-2		Cruise control actuator
B8	6	★	A-2		Front wiper motor
B10	2	Gray	B-2		A/C pressure switch
B11	20	Black	B-3	T4	Transmission (AT)
B12	12	★	B-3	T3	
B14	1	Black	B-3		Starter (Magnet)
B15	2	★	B-3		ABS front sensor LH
B16	2	Gray	B-3		Brake fluid level switch
B17	3	★	B-2		Vehicle speed sensor 2 (MT)
B19	10	★	B-2	E1	Oxygen sensor cord
B21	20	★	B-2	E2	Engine wiring harness
B22	16	★	B-2	E3	Engine wiring harness
B24	2	Gray	B-3	T1	Back-up light switch (MT)
B25	2	Brown	B-3	T2	Neutral position switch (MT)
B26	2	★	B-3		Resistor (Daytime running light) (For Canada model only)

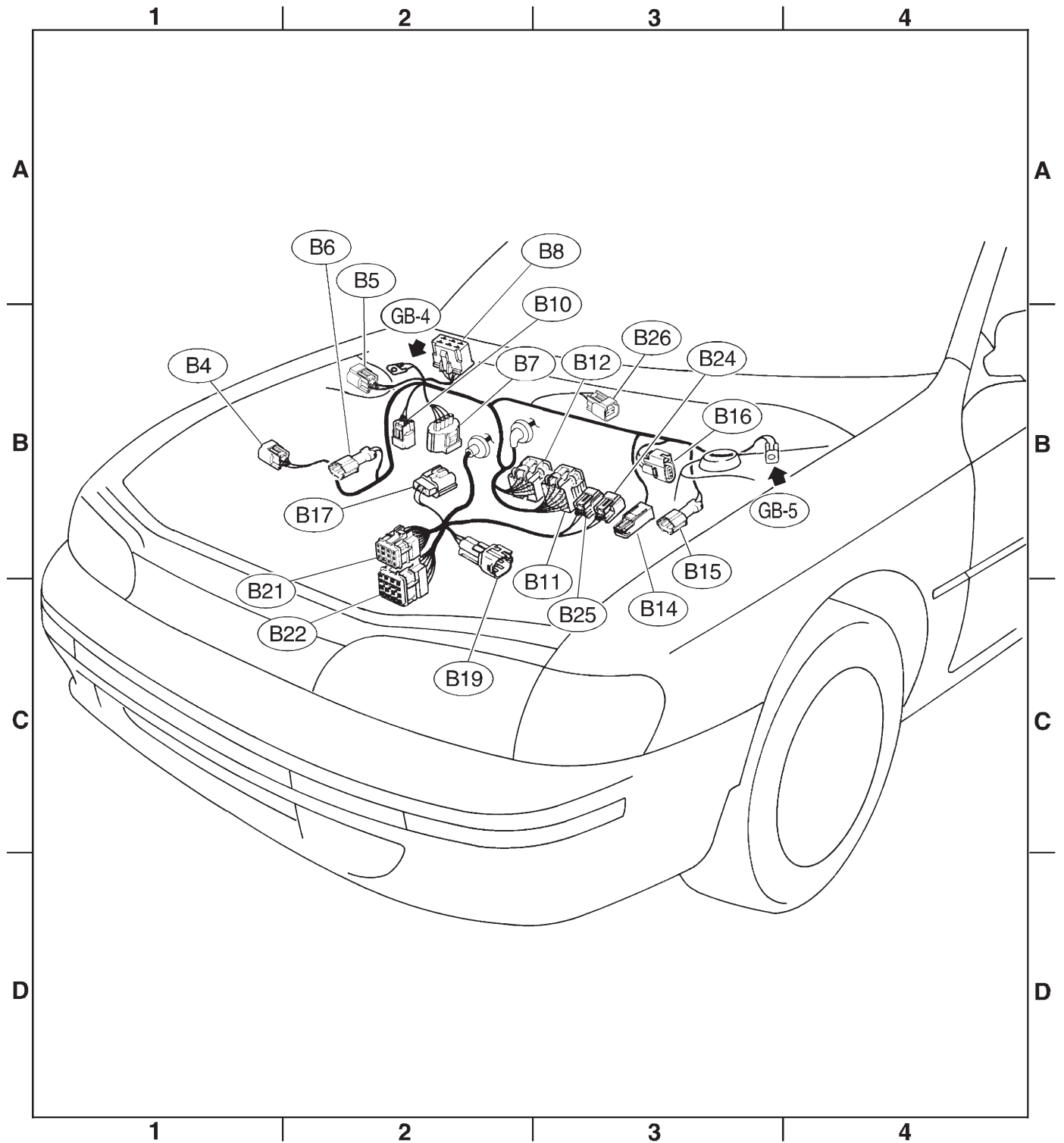
★: Non-colored

WIRING DIAGRAM

[D6C2] 6-3

6. Electrical Wiring Harness and Ground Point

2. LOCATION



D: BULKHEAD WIRING HARNESS (IN COMPARTMENT)

1. LIST OF ITEMS

Connector				Connecting to	
No.	Pole	Color	Area	No.	Name
B30	24	★	C-1	D1	Front door cord LH
B31	7	★	C-1	AB1	SRS (Airbag) harness
B32	3	Black	B-1		Turn & hazard module
B36	24	Blue	B-2	i1	Instrument panel meter harness
B37	16	★	B-2	i2	
B40	16	★	C-2		Data link connector
B41	2	★	B-1		Power window circuit breaker
B42	4	Blue	C-1		Power window relay
B43	6	Black	B-4		Illumination control module
B45	6	★	B-4	R53	Roof cord
B46	4	Green	C-1		Fuel pump relay
B47	6	Brown	C-1		Main relay
B48	4	Red	B-1		Front fog light relay
B50	4	★	B-1		Blower relay
B51	8	Blue	C-1		F/B
B52	12	Blue	C-1		
B53	6	★	C-2		Shield joint connector (AT)
B54	24	★	C-2		Transmission control module
B55	24	Gray	C-2		
B57	12	★	B-1		Shift lock control module (AT)
B61	8	★	B-1	F44	Front wiring harness
B62	20	★	B-1	F45	
B64	2	Black	B-2		Stop light switch
B65	4	Black	B-2		Stop & brake switch (With cruise control)
B68	5	Black	C-2		Cruise control sub switch
B69	4	★	C-2		Combination switch
B70	18	★	C-2		
B71	17	★	C-2		
B72	4	Blue	C-2		
B73	2	★	C-2		Ignition switch
B74	2	Black	C-2		Key lock solenoid (AT)
B75	2	Green	B-2	B76	Test mode connector
B76	2	Green	B-2	B75	
B79	14	Gray	C-3		Check connector
B81	1 × 2	★	B-2		Diagnosis terminal (Ground)
B82	6	Black	B-2		Diagnosis connector
B83	6	★	C-4		Shield joint connector (E/G)
B86	4	★	B-3		Blower motor resistor
B87	2	★	B-4		Blower motor
B88	4	Brown	B-3		Evaporator thermostat
B92	6	★	C-1		Door lock timer
B94	20	★	C-1		Cruise control module
B95	2	★	B-4		Diode (Daytime running light)
B96	10	★	B-4		Daytime running light control module
B97	10	Blue	C-4	R1	Rear wiring harness
B98	20	Black	C-4	R2	
B99	20	★	C-4	R3	

Connector				Connecting to	
No.	Pole	Color	Area	No.	Name
B100	16	Blue	B-1	F2	Front wiring harness (With ABS model)
B101	24	★	C-4	D11	Front door cord RH
B102	5	★	B-4		Daytime running light relay
B103	4	Blue	B-4		Daytime running light hi-beam relay
B104	4	Red	B-4		Rear accessory power supply relay
B105	4	Blue	B-2		Starter interlock relay (MT)
B106	2	★	B-2		Clutch switch (MT)
B107	2	Blue	B-2		Clutch switch (Cruise control)
B108	8	★	B-1	F46	Front wiring harness
B112	2	★	B-2		Diode (Front fog light)
B116	4	Black	C-3		Select lever illumination light (AT)
B117	4	★	C-3		Parking position switch & shift lock solenoid (AT)
B118	2	★	C-3		CD player illumination light
B119	1	★	C-3		Front accessory power supply (Power)
B120	14	★	C-3		Radio
B121	1	★	C-3		Audio ground
B125	1	Green	C-4	B126	Test mode connector
B126	1	Green	C-4	B125	
B134	35	★	C-3		Engine control module
B135	28	★	C-3		
B136	30	★	C-3		
B152	7	★	C-1		F/B
B158	12	★	C-1		F/B
B159	10	Gray	C-1		F/B
B160	6	Gray	C-1		Front fog light switch
B161	6	Brown	C-1		Cruise control main switch
B162	8	★	C-2	B163	Combination switch cord
B163	8	★	C-2	B162	Bulkhead wiring harness
B164	18	★	C-2	B165	Combination switch cord
B165	18	★	C-2	B164	Bulkhead wiring harness
B166	10	★	C-2		Key warning module
B167	3	★	C-3		Front accessory power supply (Ground)
B168	3	★	B-3		A/C switch
B169	6	★	B-3		Blower fan switch
B170	2	★	B-3		Mode control panel illumination light
B171	6	★	C-4		Joint connector (AVSS)
B172	10	★	C-2		Short connector
B173	2	★	B-3		Ash tray illumi. light

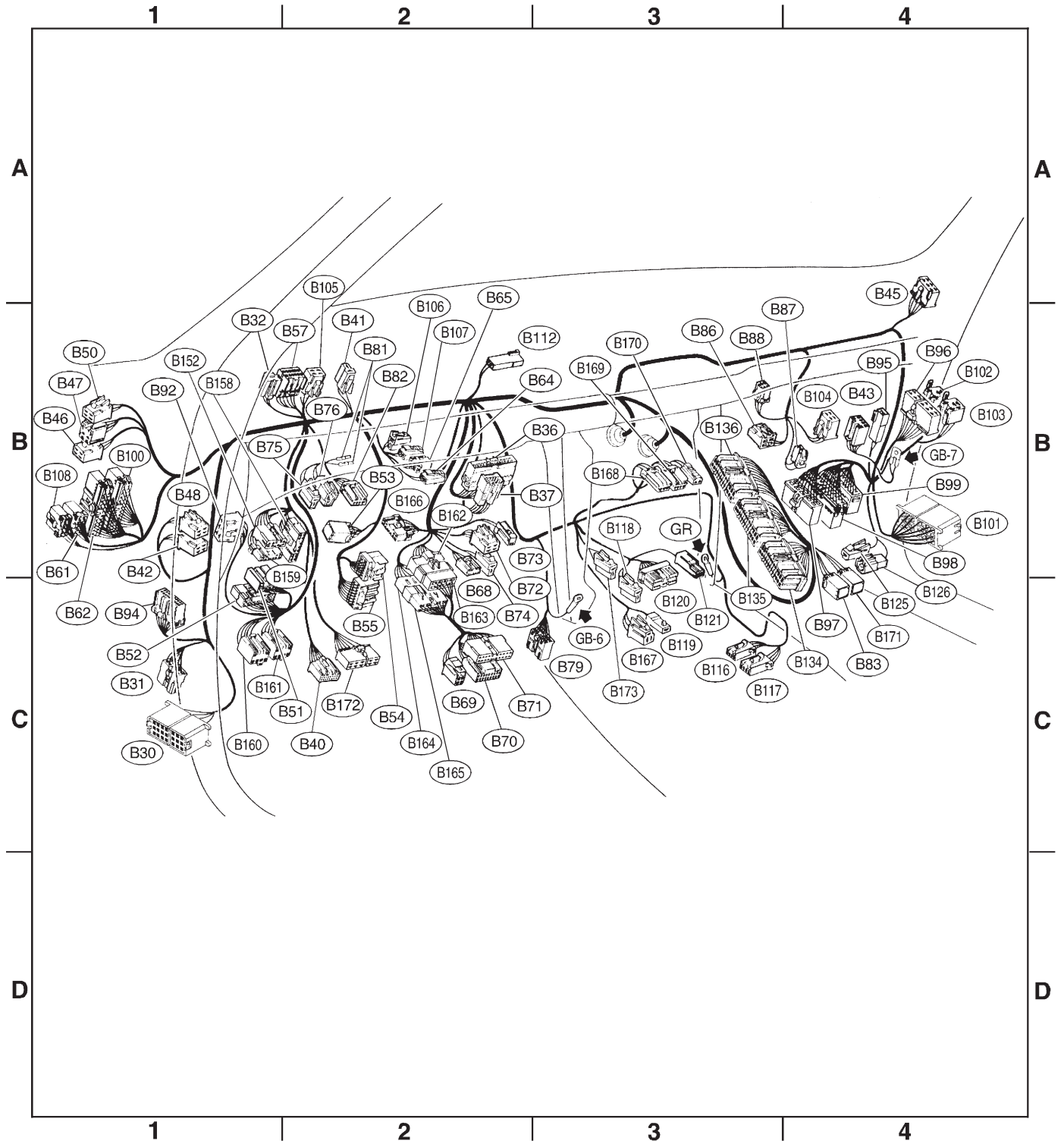
★: Non-colored

WIRING DIAGRAM

[D6D2] 6-3

6. Electrical Wiring Harness and Ground Point

2. LOCATION



E: ENGINE WIRING HARNESS AND TRANSMISSION CORD

1. LIST OF ITEMS

Connector				Connecting to	
No.	Pole	Color	Area	No.	Name
E1	6	★	C-1-C-2	B19	Bulkhead wiring harness
E2	20	Gray	A-3	B21	
E3	16	Brown	A-3	B22	
E4	2	Black	A-2		Purge control solenoid valve
E5	2	Gray	A-2		Injector #1 (Except 2200 cc California spec. vehicles)
		Dark gray			Injector #1 (2200 cc California spec. vehicles)
E6	2	Gray	A-2		Injector #3 (Except 2200 cc California spec. vehicles)
		Dark gray			Injector #3 (2200 cc California spec. vehicles)
E7	6	Black	A-3		Idle air control solenoid valve (Except 2200 cc California spec. vehicles)
	3	Gray			Idle air control solenoid valve (2200 cc California spec. vehicles)
E8	3	Gray	A-2		Engine coolant temperature sensor and thermometer
E10	2	Gray	A-2		Crankshaft position sensor
E11	1	★	A-3		Oil pressure switch
E12	4	Gray	A-3		Ignition coil
E13	4	Black	A-3		Throttle position sensor (Except 2200 cc California spec. vehicles)
	3				Throttle position sensor (2200 cc California spec. vehicles)
E14	2	★	A-3		Knock sensor
E15	2	Light gray	B-3		Camshaft position sensor
E16	2	Gray	B-3		Injector #2 (Except 2200 cc California spec. vehicles)
		Dark gray	B-3		Injector #2 (2200 cc California spec. vehicles)
E17	2	Gray	B-4		Injector #4 (Except 2200 cc California spec. vehicles)
		Dark gray	B-4		Injector #4 (2200 cc California spec. vehicles)
E19	2	Gray	B-3		Power steering switch
E20	2	Gray	A-3		Intake air temperature sensor (2200 cc California spec. vehicles)
E21	2	Black	A-2		Pressure sensor (Except 2200 cc California spec. vehicles)
E24	4	★	D-1-D-3		Front oxygen sensor
E25	4	★	D-2-D-4		Rear oxygen sensor
E26	5	Gray	A-2		Mass air flow sensor (Except 2200 cc California spec. vehicles)
E27	2	Gray	A-2		Pressure sources switching solenoid valve (Except 2200 cc California spec. vehicles)
E28	3	Gray	A-3		Intake manifold pressure sensor (2200 cc California spec. vehicles)

★: Non-colored

Connector				Connecting to	
No.	Pole	Color	Area	No.	Name
T1	2	Gray	C-1	B24	Bulkhead wiring harness (MT)
T2	2	Brown	C-1	B25	
T3	12	★	C-3	B12	Bulkhead wiring harness (AT)
T4	16	★	C-3	B11	
T7	12	★	C-4		Inhibitor switch (AT)
T8	2	★	C-1	B17	Bulkhead wiring harness (MT)

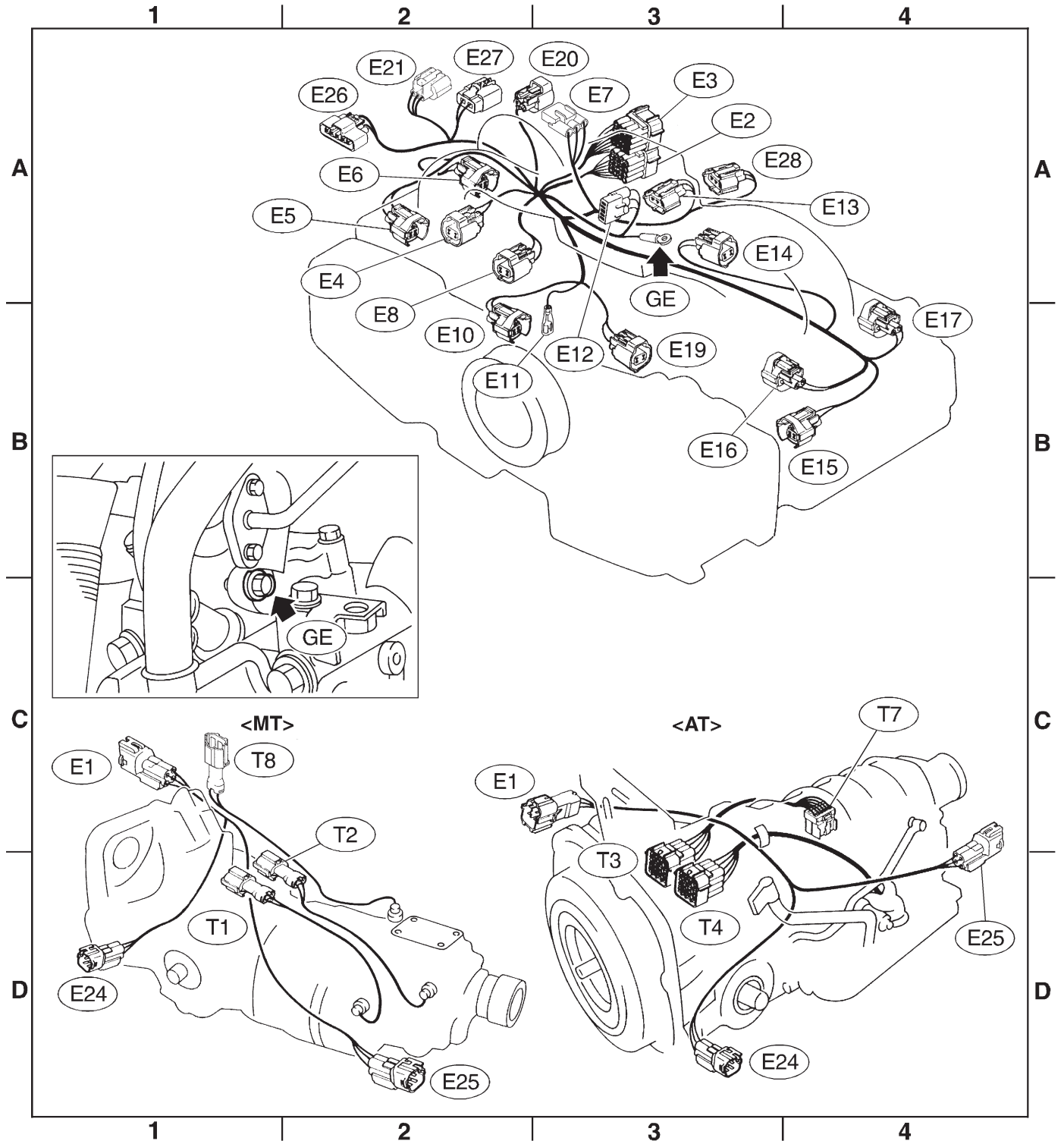
★: Non-colored

WIRING DIAGRAM

[D6E2] 6-3

6. Electrical Wiring Harness and Ground Point

2. LOCATION



6-3 [D6F1]**WIRING DIAGRAM**

6. Electrical Wiring Harness and Ground Point

F: INSTRUMENT PANEL WIRING HARNESS**1. LIST OF ITEMS**

Connector				Connecting to	
No.	Pole	Color	Area	No.	Name
i1	24	Blue	B-2	B36	Bulkhead wiring harness
i2	16	★	B-2	B37	
i10	18	★	B-2		Combination meter
i11	16	★	B-2		
i12	10	★	B-2		
i18	8	★	B-3		Rear defogger switch
i22	8	★	B-3		Hazard switch

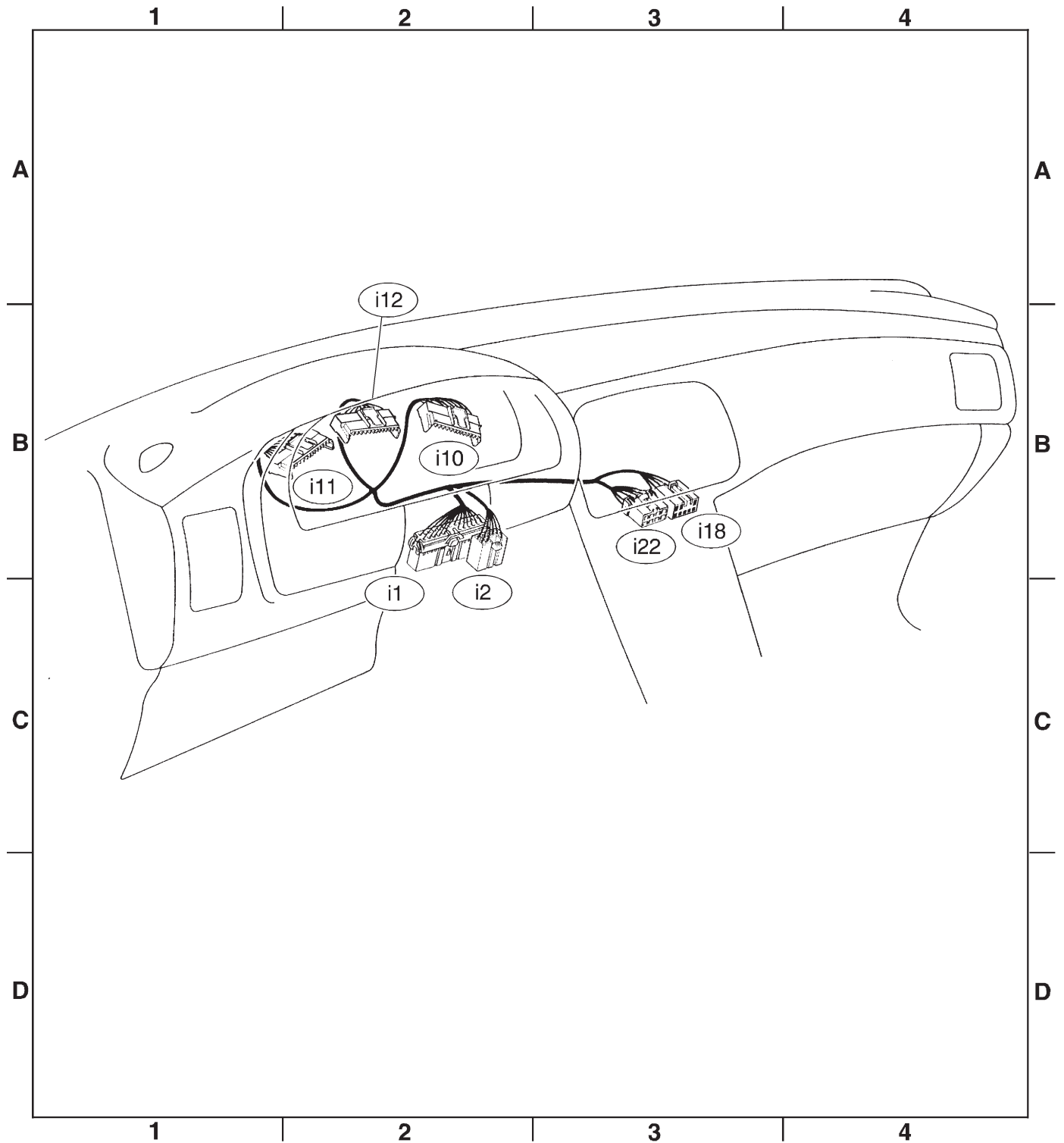
★: Non-colored

WIRING DIAGRAM

[D6F2] 6-3

6. Electrical Wiring Harness and Ground Point

2. LOCATION



G: REAR WIRING HARNESS**1. LIST OF ITEMS**

Connector				Connecting to	
No.	Pole	Color	Area	No.	Name
R1	10	Blue	B-2	B97	Bulkhead wiring harness
R2	20	Black	B-2	B98	
R3	20	★	B-2	B99	
R4	1	Black	B-3		Parking brake switch
R8	2	★	B-3		Seat belt switch
R9	1	Brown	B-3		Front door switch LH (Sedan and Wagon model)
	2	★	D-4		Front door switch LH (Coupe model)
R11	8	★	B-3	D21	Rear door adapter cord LH
R12	1	Brown	B-2		Front door switch RH (Sedan and Wagon model)
	2	★	C-3		Front door switch RH (Coupe model)
R14	8	★	B-2	D27	Rear door adapter cord RH
R15	12	★	B-3	R57	Fuel tank cord
R16	1	Brown	A-3		Rear door switch RH
R22	1	Brown	B-4		Rear door switch LH
R46	2	★	B-3	R67	Fuel tank cord
R47	3	★	C-1		Fuel tank pressure sensor
R49	12	★	B-3	F55	Front wiring harness (With ABS model)
R52	2	★	A-3		Room light
R53	6	★	B-2	B45	Bulkhead wiring harness
R55	2	★	A-3		Sunroof control module and sunroof motor
R56	2	★	A-3		Spot light
R57	12	★	B-3	R15	Rear wiring harness
R58	6	★	C-1/D-1		Fuel gauge module & fuel pump assembly
R59	2	★	C-2/D-2		Fuel gauge sub module
R67	2	★	B-3	R46	Rear wiring harness
R68	2	Black	C-2/D-1		Pressure control solenoid valve
R69	2	★	C-1/D-1		Drain valve
R70	3	★	B-2		ABS G sensor
R72	2	★	B-3		Rear ABS sensor RH
R73	2	★	B-4		Rear ABS sensor LH
R78	4	★	A-3		Sunroof switch
R93	10	★	B-3		Remote control rearview mirror switch
R94	2	Gray	C-1	R95	Pressure control solenoid valve cord
R95	2	Gray	C-1	R94	Fuel tank cord

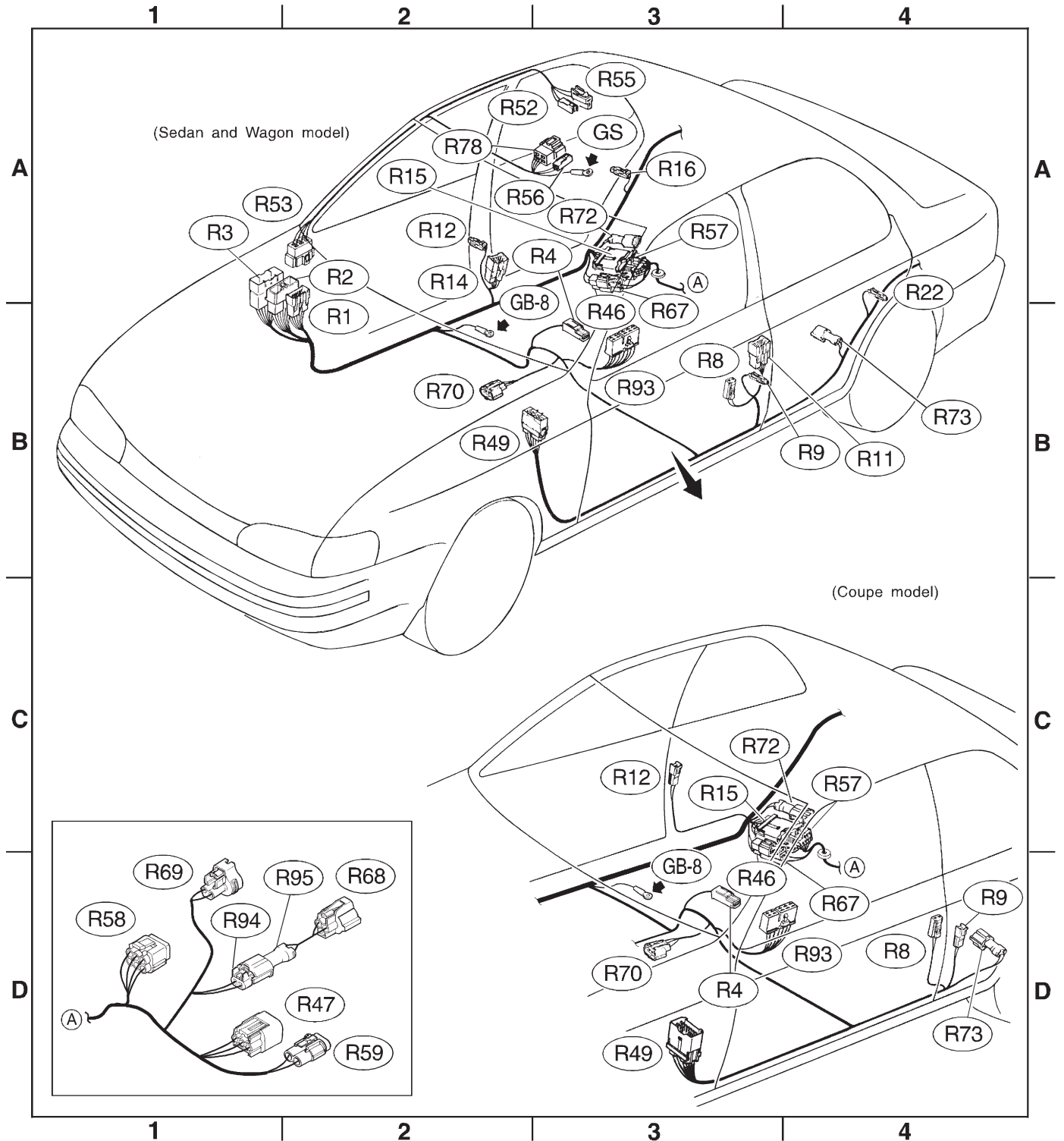
★: Non-colored

WIRING DIAGRAM

[D6G2] 6-3

6. Electrical Wiring Harness and Ground Point

2. LOCATION



H: DOOR CORD**1. LIST OF ITEMS**

Connector				Connecting to	
No.	Pole	Color	Area	No.	Name
D1	13	★	C-3	B30	Bulkhead wiring harness
D2	2	★	C-3		Front speaker LH
D3	2	Green	C-3		Front power window motor LH
D5	6	★	C-3		Remote control rearview mirror LH
D7	16	★	C-3		Power window main switch (Sedan and Wagon model)
	12	★	C-3		Power window main switch (Coupe model)
D8	4	★	C-3		Front door lock actuator LH
D11	13	★	B-2	B101	Bulkhead wiring harness
D12	2	★	B-2		Front speaker RH
D13	2	Green	B-2		Front power window motor RH
D15	6	★	B-2		Remote control rearview mirror RH
D17	5	★	B-2		Front power window sub switch RH
D18	4	★	B-2		Front door lock actuator RH
D21	8	★	C-3	R11	Rear wiring harness
D23	2	★	C-4		Rear door speaker LH
D24	2	Green	C-4		Rear power window motor LH
D25	5	★	B-4		Rear power window sub switch LH
D26	4	★	B-4		Rear door lock actuator LH
D27	8	★	B-2	R14	Rear wiring harness
D29	2	★	B-3		Rear door speaker RH
D30	2	Green	B-3		Rear power window motor RH
D31	5	★	B-2		Rear power window sub switch RH
D32	4	★	B-3		Rear door lock actuator RH
D50	9	★	B-2	B113	Bulkhead wiring harness
D53	3	★	B-2	B124	Bulkhead wiring harness
D54	8	★	C-3	D55	Rear door cord LH
D55	8	★	C-3	D54	Rear door adapter cord LH
D56	8	★	B-2	D57	Rear door cord RH
D57	8	★	B-2	D56	Rear door adapter cord RH
D62	8	★	B-2		Door lock switch RH

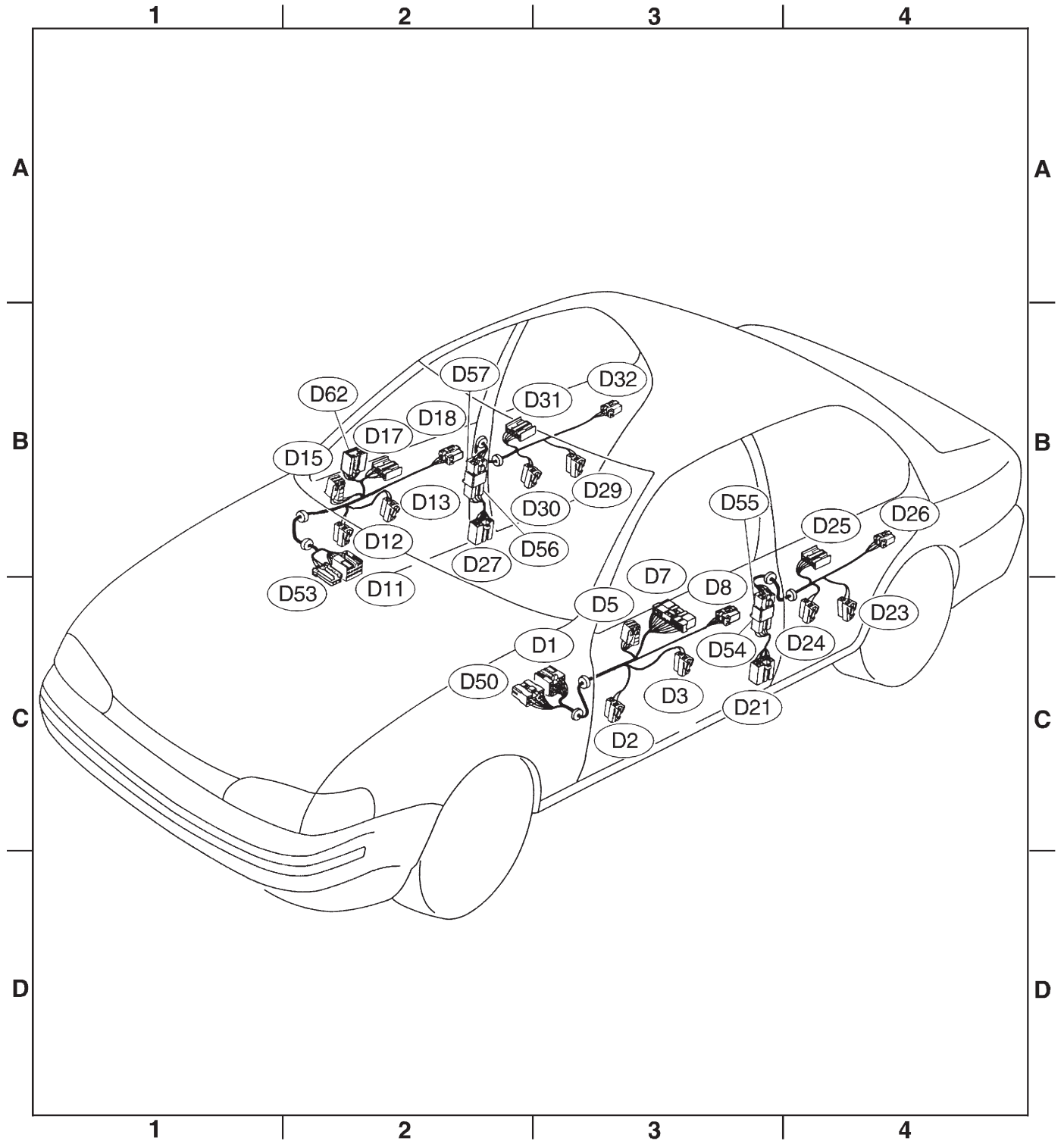
★: Non-colored

WIRING DIAGRAM

[D6H2] 6-3

6. Electrical Wiring Harness and Ground Point

2. LOCATION



6-3 [D611]**WIRING DIAGRAM**

6. Electrical Wiring Harness and Ground Point

I: REAR AND WIRING HARNESS OF SEDAN AND COUPE**1. LIST OF ITEMS**

Connector				Connecting to	
No.	Pole	Color	Area	No.	Name
R17	1	Black	B-3		Rear defogger (Power)
R18	2	Black	B-3		Rear speaker RH
R19	2	★	B-3		High-mount stop light (Sedan)
	2	★	B-3	R96	Trunk lid cord (Coupe-rear spoiler)
R20	2	Black	B-3		Trunk room light
R21	2	Black	B-2		Rear speaker LH
R26	7	★	B-4		Rear combination light RH
R27	2	★	C-3		Trunk room light switch
R28	7	★	C-3		Rear combination light LH
R65	1	Black	B-2		Rear defogger (Ground)
R66	2	Black	B-3		High-mount stop light (Coupe-rear spoiler)
R76	2	★	C-3		License plate light LH
R77	2	★	C-4		License plate light RH
R96	2	Black	B-3	R19	Rear wiring harness

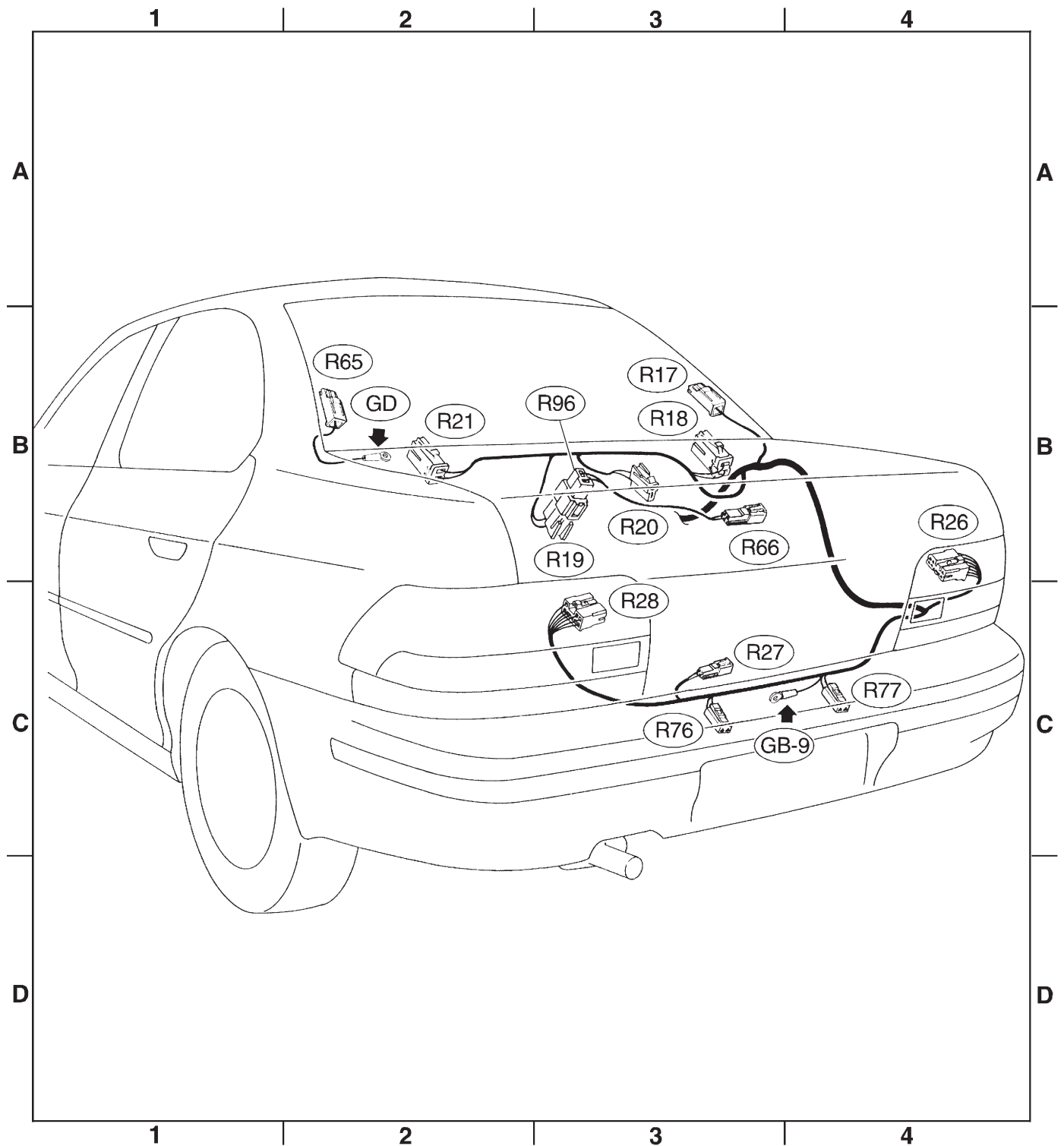
★: Non-colored

WIRING DIAGRAM

[D6I2] 6-3

6. Electrical Wiring Harness and Ground Point

2. LOCATION



J: REAR END WIRING HARNESS OF WAGON**1. LIST OF ITEMS**

Connector				Connecting to	
No.	Pole	Color	Area	No.	Name
R26	7	★	C-4		Rear combination light RH
R28	7	★	C-2		Rear combination light LH
R32	3	★	C-3		Rear accessory power supply
R36	5	Black	C-4		Rear wiper relay
R37	2	★	C-3	D33	Rear gate cord
R38	4	★	C-3	D34	
R39	4	★	C-3	D35	
R76	2	★	C-3		License plate light LH
R77	2	★	C-3		License plate light RH

★: Non-colored

Connector				Connecting to	
No.	Pole	Color	Area	No.	Name
D33	2	★	C-3	R37	Rear wiring harness
D34	4	★	C-3	R38	
D35	4	★	C-3	R39	
D39	2	★	B-2		High-mount stop light
D40	1	★	B-3		Rear defogger (Power)
D43	4	★	A-3		Rear wiper motor
D46	2	Black	A-3		Rear gate latch switch
D47	4	★	A-3		Rear gate lock actuator
D48	1	★	A-3		Rear defogger (Ground)
D58	2	★	A-3	D59	Rear gate lock adapter cord
D59	2	★	A-3	D58	Rear gate cord

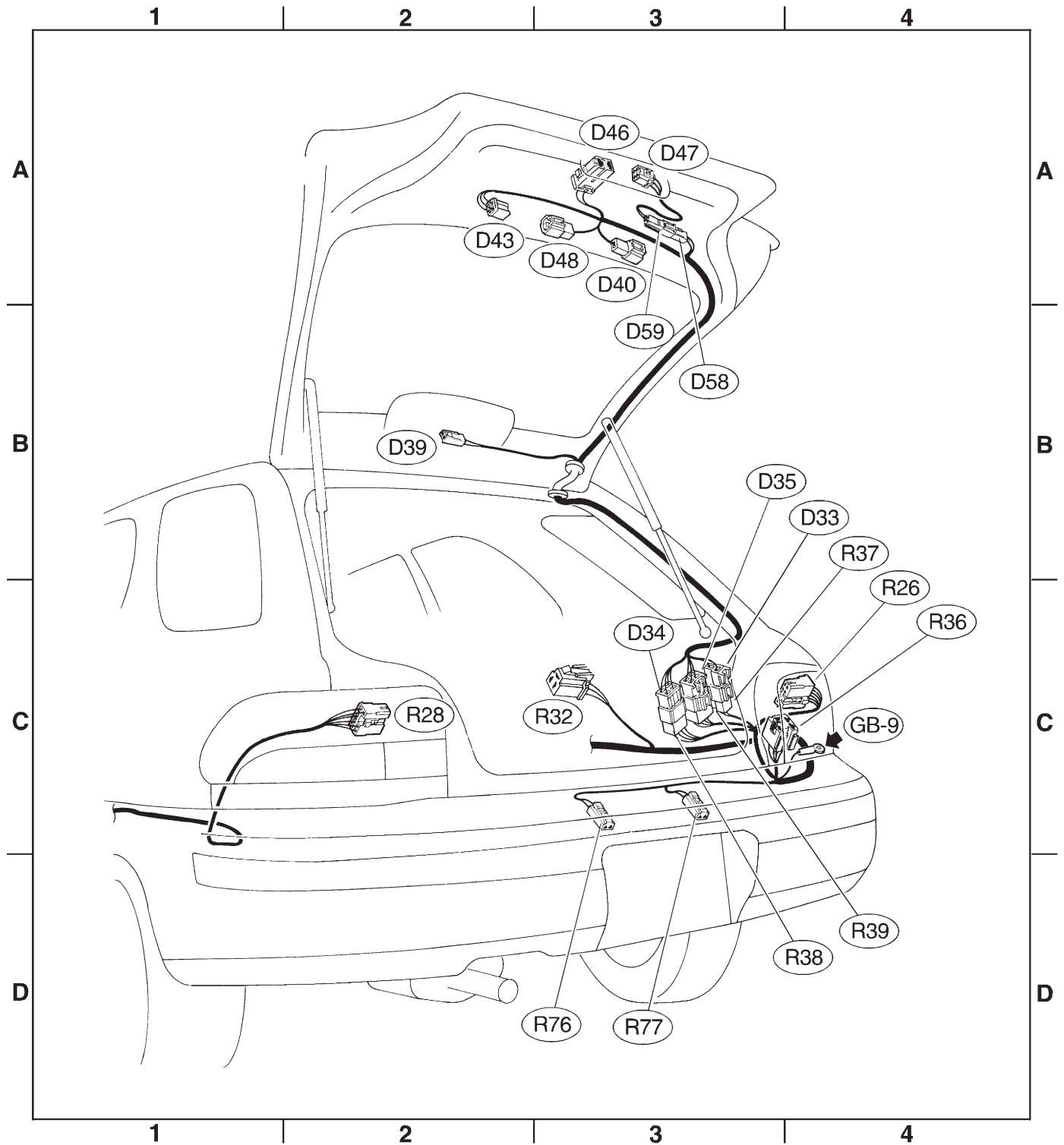
★: Non-colored

WIRING DIAGRAM

[D6J2] 6-3

6. Electrical Wiring Harness and Ground Point

2. LOCATION



MEMO: