

BODY SECTION

This service manual has been prepared to provide SUBARU service personnel with the necessary information and data for the correct maintenance and repair of SUBARU vehicles.

This manual includes the procedures for maintenance, disassembling, reassembling, inspection and adjustment of components and diagnostics for guidance of experienced mechanics.

Please peruse and utilize this manual fully to ensure complete repair work for satisfying our customers by keeping their vehicle in optimum condition. When replacement of parts during repair work is needed, be sure to use SUBARU genuine parts.

All information, illustration and specifications contained in this manual are based on the latest product information available at the time of publication approval.

**HVAC SYSTEM
(HEATER, VENTILATOR AND A/C)** AC

**HVAC SYSTEM (AUTO A/C)
(DIAGNOSTICS)** AC

AIRBAG SYSTEM AB

AIRBAG SYSTEM (DIAGNOSTICS) AB

SEAT BELT SYSTEM SB

LIGHTING SYSTEM LI

WIPER AND WASHER SYSTEMS WW

ENTERTAINMENT ET

COMMUNICATION SYSTEM COM

GLASS/WINDOWS/MIRRORS GW

BODY STRUCTURE BS

INSTRUMENTATION/DRIVER INFO IDI

SEATS SE

SECURITY AND LOCKS SL

IMMOBILIZER (DIAGNOSTICS) IM

**SUNROOF/T-TOP/CONVERTIBLE TOP
(SUNROOF)** SR

EXTERIOR/INTERIOR TRIM EI

BODY SECTION

EXTERIOR BODY PANELS

EB

CRUISE CONTROL SYSTEM

CC

**CRUISE CONTROL SYSTEM
(DIAGNOSTICS)**

CC

SEATS

SE

	Page
1. General Description	2
2. Front Seat	6
3. Rear Seat	11

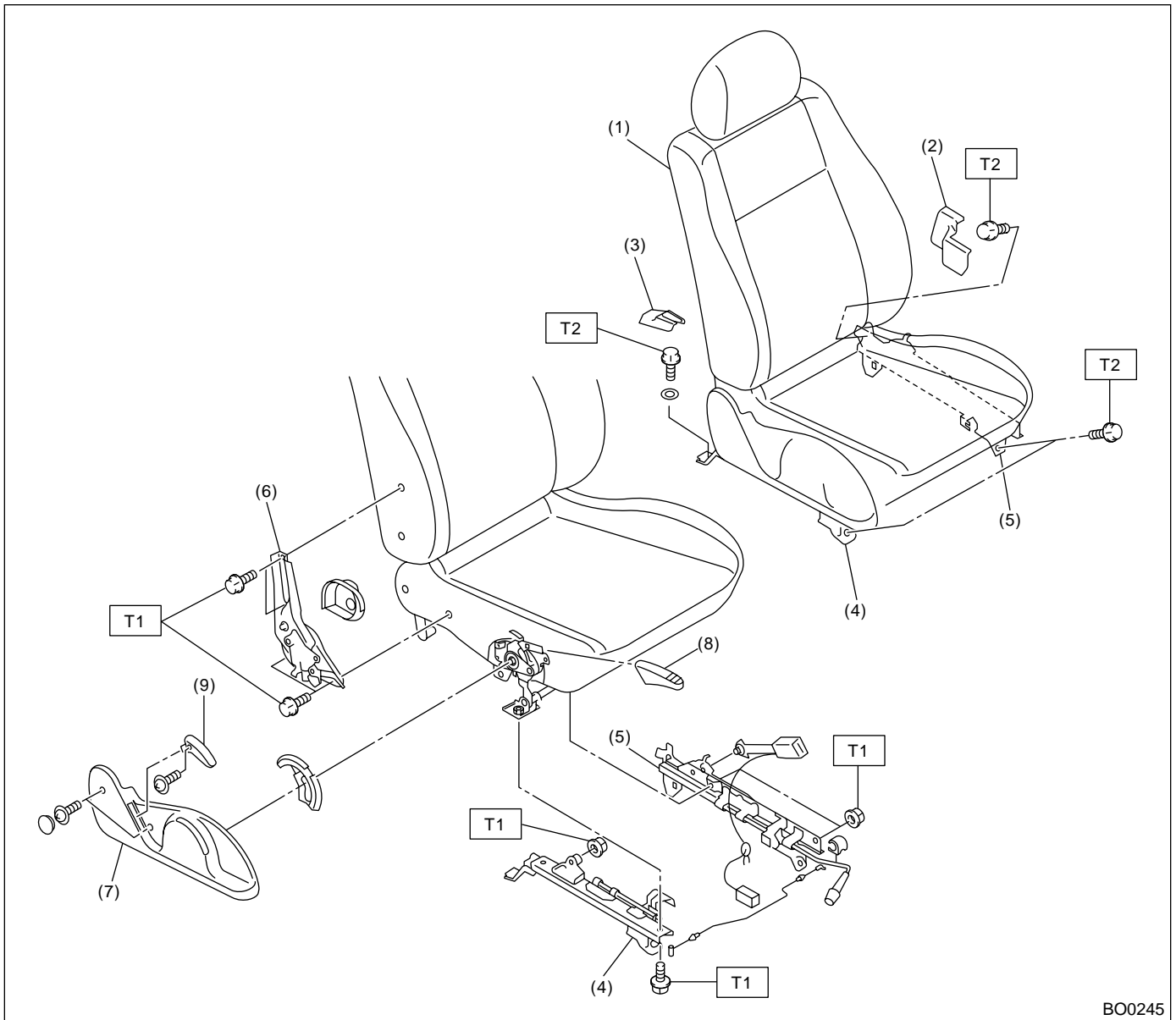
GENERAL DESCRIPTION

SEATS

1. General Description

A: COMPONENT

1. FRONT SEAT



BO0245

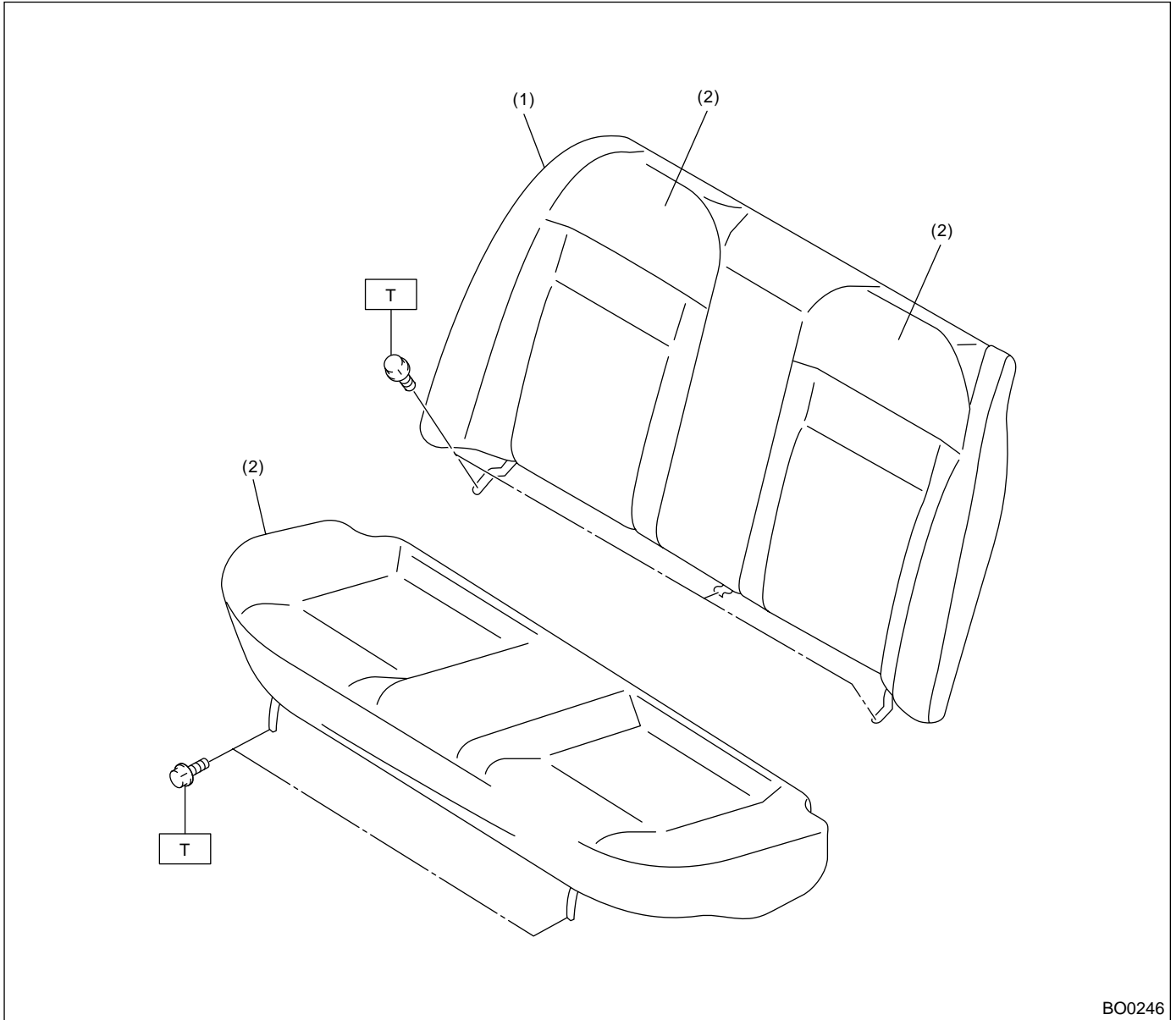
- | | |
|---------------------|-----------------------|
| (1) Front seat ASSY | (6) Seat hinge |
| (2) Rail cover IN | (7) Seat hinge cover |
| (3) Rail cover OUT | (8) Seat lifter lever |
| (4) Slide rail OUT | (9) Reclining lever |
| (5) Slide rail IN | |

Tightening troque: N·m (kgf·m, ft·lb)

T1: 30 (3.1, 22)

T2: 53 (5.4, 39)

2. REAR SEAT (SEDAN)



BO0246

- (1) Backrest
- (2) Head restraint

- (3) Cushion

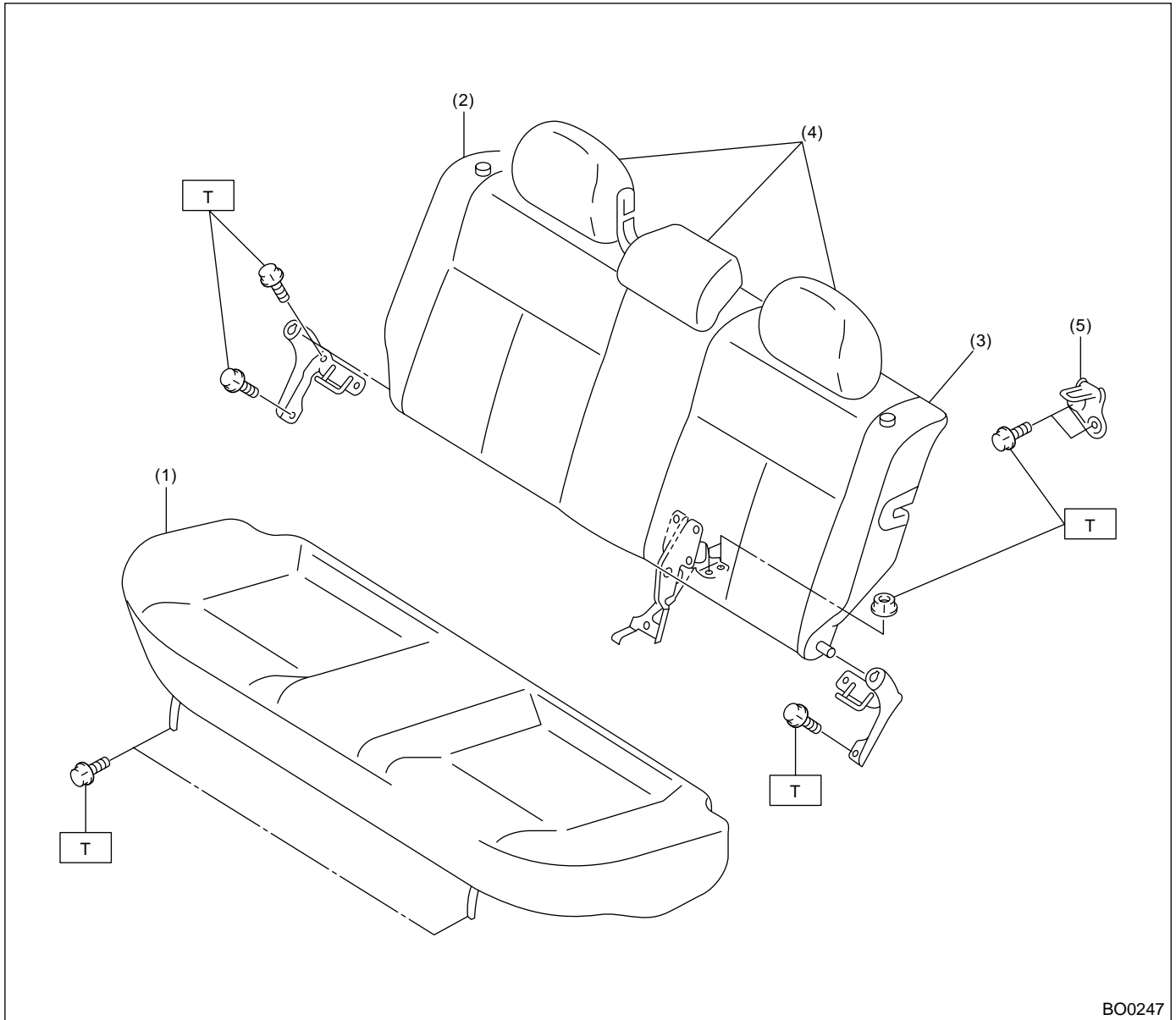
Tightening torque: N·m (kgf·m, ft·lb)

T: 24.5 (2.5, 18.1)

GENERAL DESCRIPTION

SEATS

3. REAR SEAT (WAGON)



- (1) Cushion
- (2) Backrest RH
- (3) Backrest LH
- (4) Head restraint
- (5) Striker

Tightening torque: N·m (kgf·m, ft·lb)
T: 24.5 (2.5, 18.1)

GENERAL DESCRIPTION

SEATS

B: CAUTION

- Take care not to contaminate or damage seat surface.

- While loading to or unloading to vehicle, take care not to contact body.
- When removing front seat from a side airbag loaded vehicle, follow cautions given in the airbag section.

C: PREPARATION TOOL

1. GENERAL TOOL

TOOL NAME	REMARKS
Long Nose Pliers	Used for removing and installing hog ring

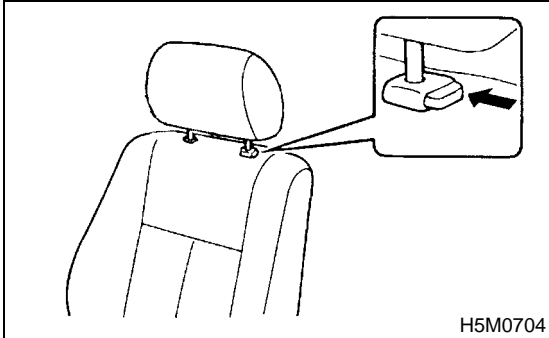
FRONT SEAT

SEATS

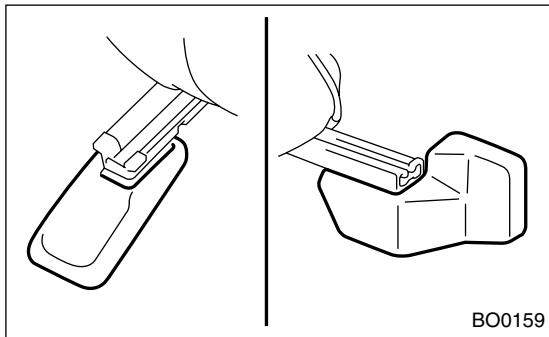
2. Front Seat

A: REMOVAL

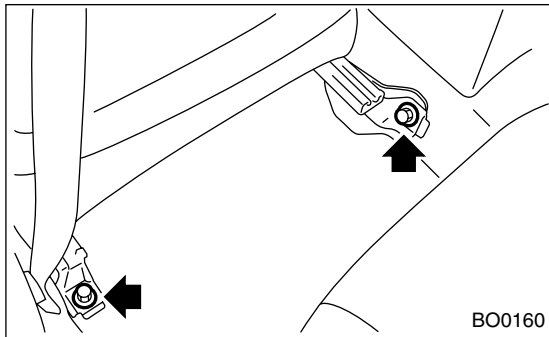
- 1) Disconnect ground cable from the battery.
- 2) While pressing headrest lock button, remove headrest.



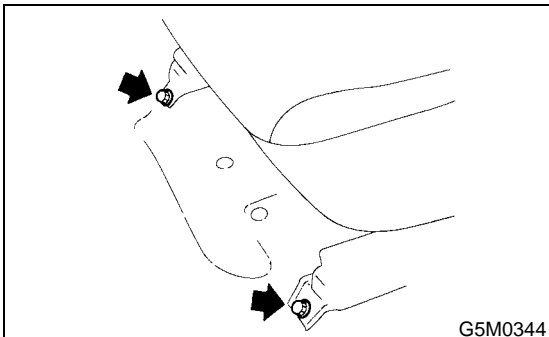
- 3) Tilt forward backrest.
- 4) Move seat to full front end.
- 5) Remove bolt cover at rear end of slide rail.



- 6) Remove two bolts at rear side of seat rail.

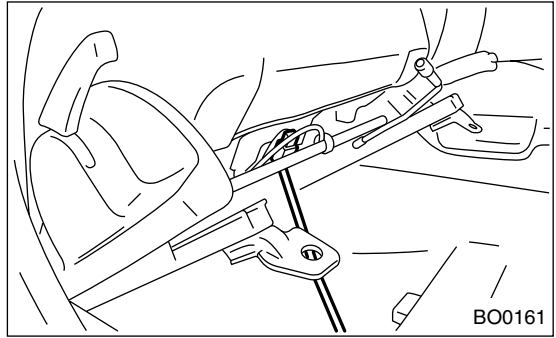


- 7) Move seat to full rear end.
- 8) Remove two bolts at front side of seat rail.



- 9) Disconnect side airbag connector under the seat. (Side airbag equipped vehicle)

- 10) Disconnect connector of seatbelt warning.



- 11) Remove front seat from vehicle.

CAUTION:

When removing seat from vehicle, take care not to damage body, seat, or trim.

B: INSTALLATION

Install in the reverse order of removal.

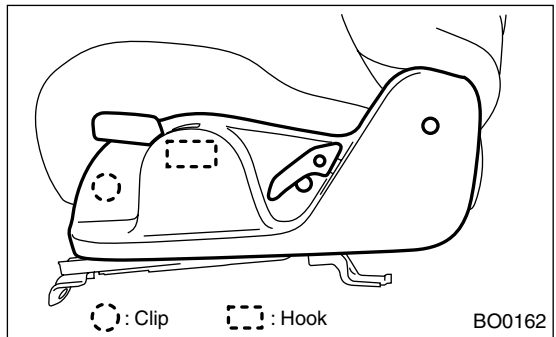
CAUTION:

Confirm that seat can move smoothly and be locked securely at any position.

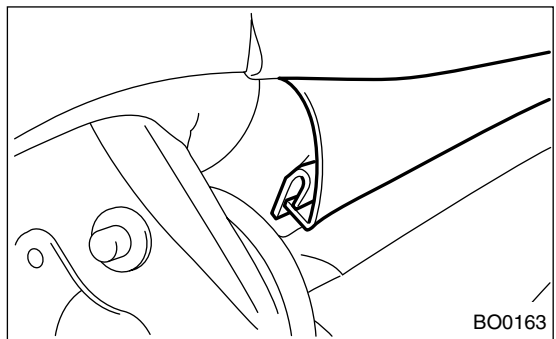
C: DISASSEMBLY

1. DRIVER'S SEAT

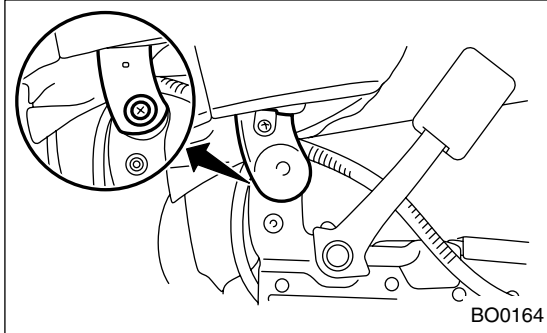
- 1) Remove seat from the vehicle. <Ref. to SE-6, REMOVAL, Front Seat.>
- 2) Remove reclining hinge cover.



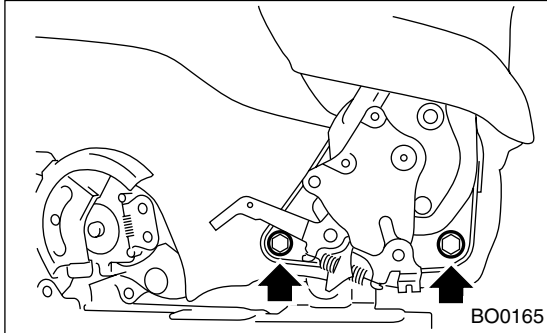
- 3) Remove hook at bottom of seat backrest.



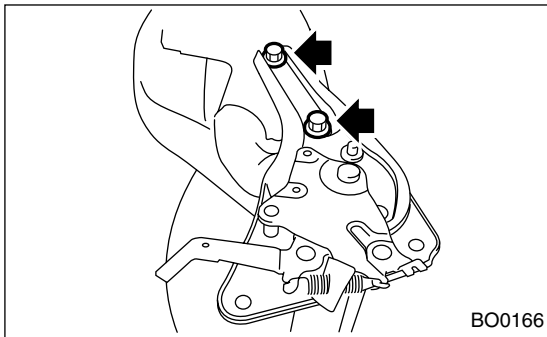
4) Remove hinge cover and screw.



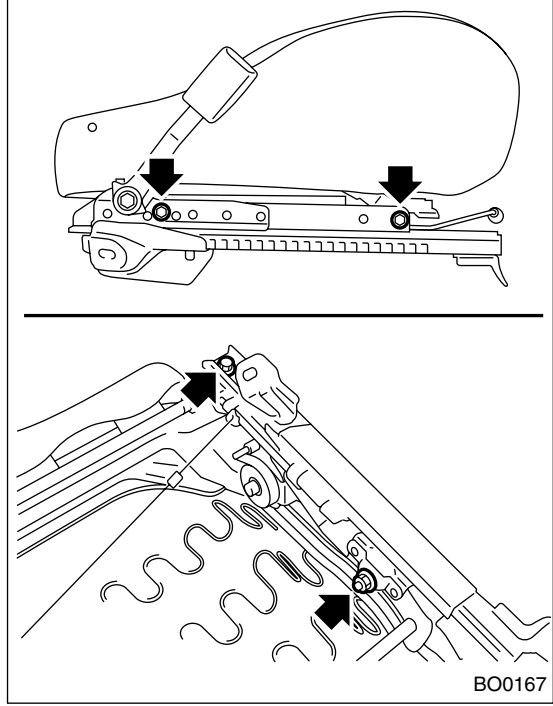
5) Remove two bolts.



6) Turn cover, and remove the two bolts from hinge.

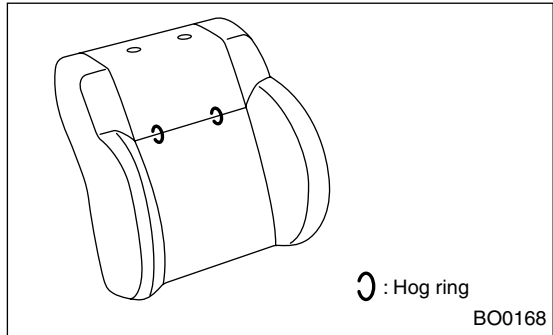


7) Loosen bolt and nuts to remove slide rail.

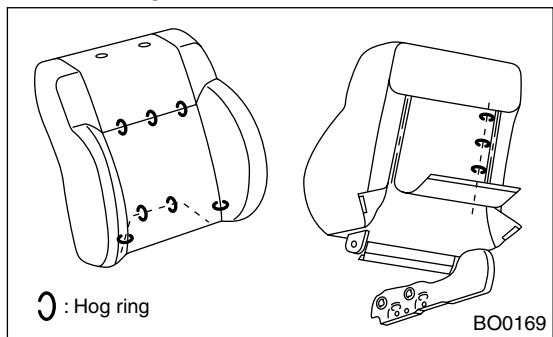


8) Remove hog rings, and then remove seat back rest cover.

Without side airbag model:



With side airbag model:

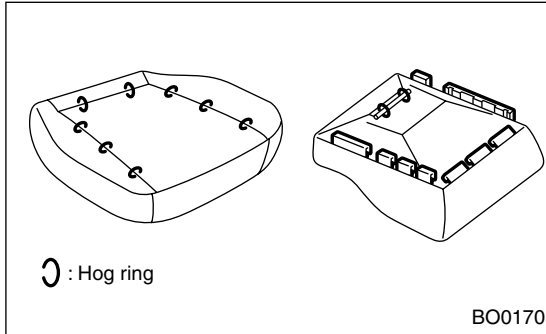


FRONT SEAT

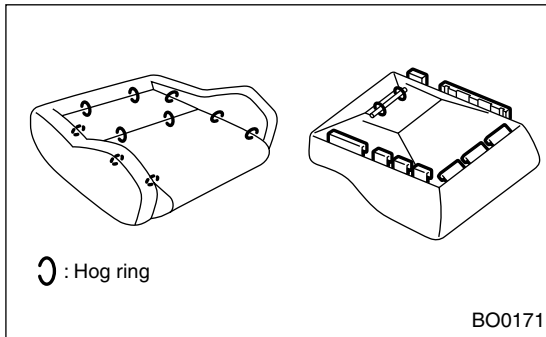
SEATS

9) Remove hog rings, and then remove seat cushion cover.

Standard type model:



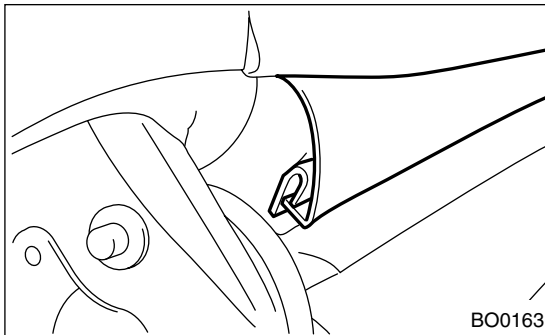
Sporty type model:



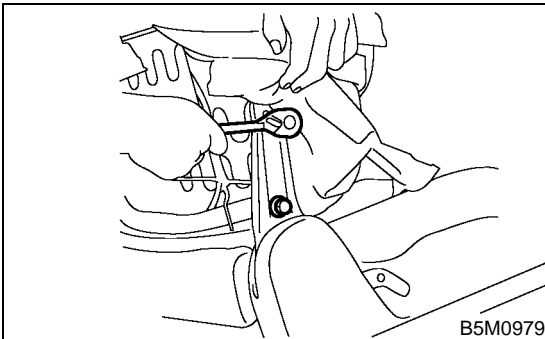
2. PASSENGER'S SEAT

1) Remove seat from the vehicle. <Ref. to SE-6, REMOVAL, Front Seat.>

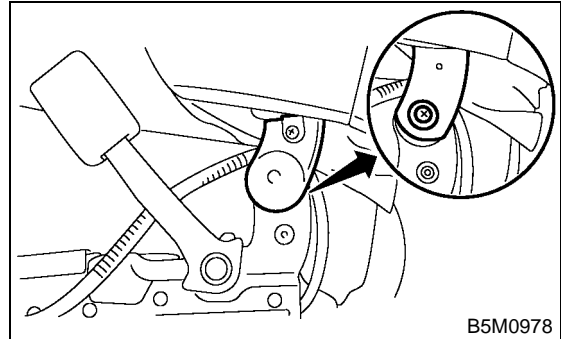
2) Remove hook at bottom of seat back rest.



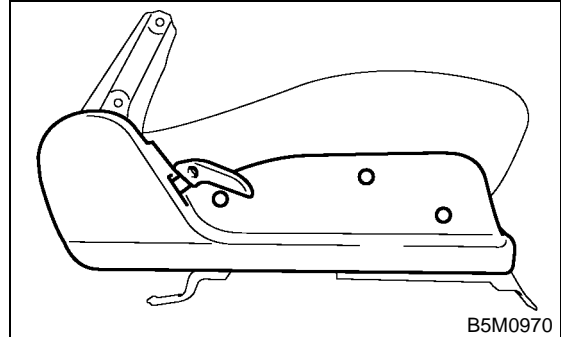
3) Turn cover, and remove the two bolts from hinge.



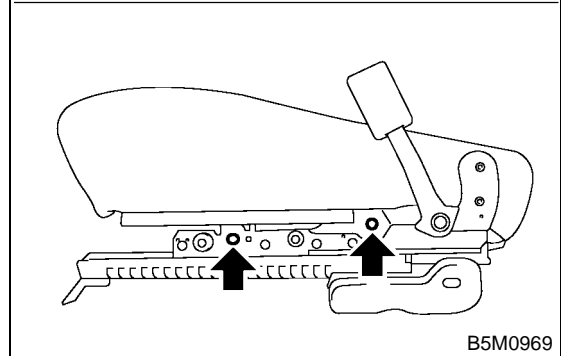
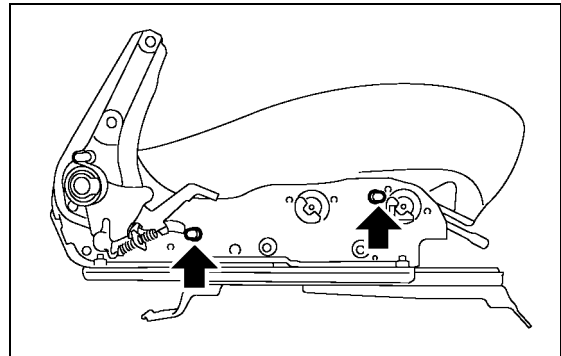
4) Remove hinge screw cover and screw, and remove seat back rest from hinge.



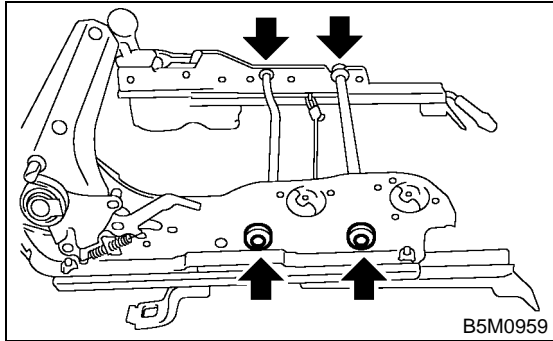
5) Remove reclining lever cover and hinge cover.



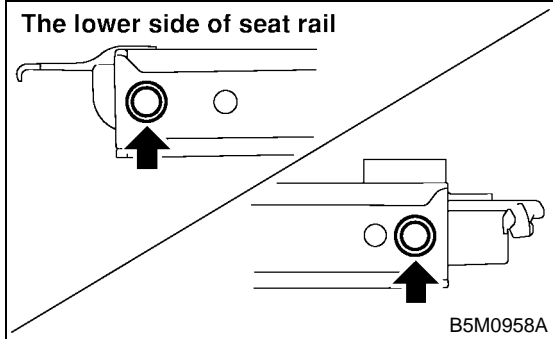
6) Loosen 4 bolts to remove seat cushion.



7) Loosen 4 screws to remove hinge.

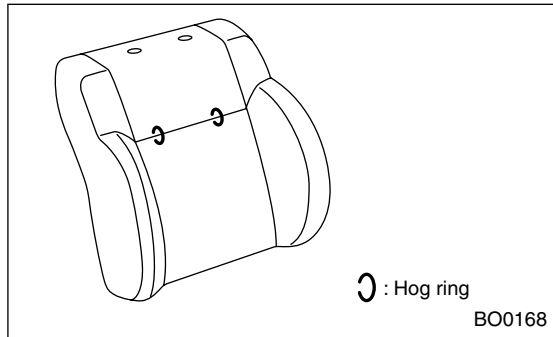


8) Loosen two bolts to remove slide rail.

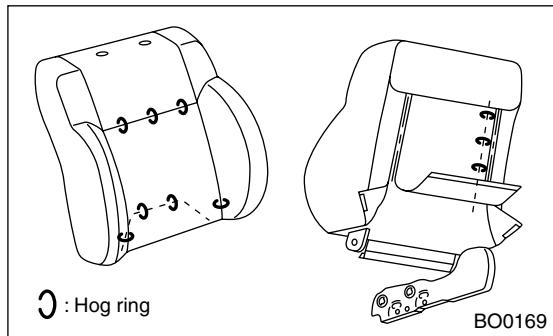


9) Remove hog rings, and then remove seat back rest cover.

Without side airbag model:

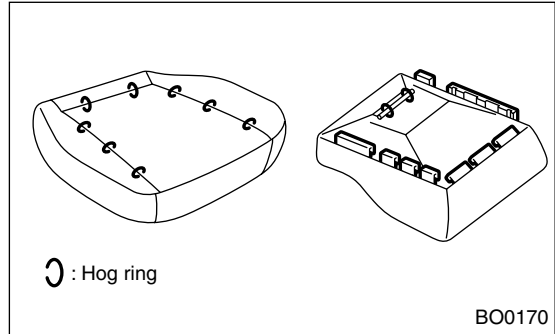


With side airbag model:

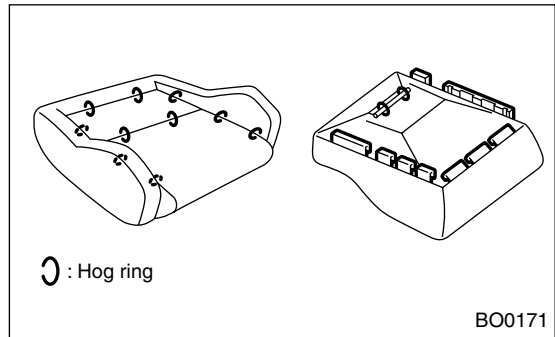


10) Remove hog rings, and then remove seat cushion cover.

Standard type model:



Sporty type model:



D: ASSEMBLY

1. DRIVER'S SEAT

Assemble in the reverse order of disassembly.

NOTE:

- Do not contaminate or damage cover.
- While installing hog rings, prevent seat from getting wrinkled.

2. PASSENGER'S SEAT

Assemble in the reverse order of disassembly.

NOTE:

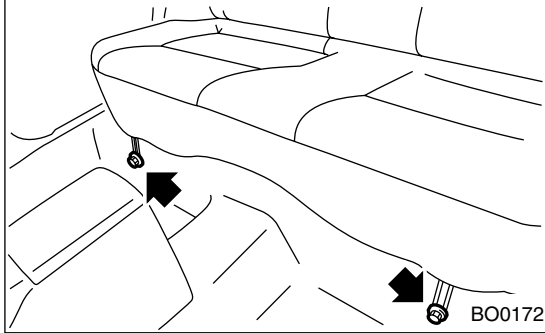
- Do not contaminate or damage cover.
- While installing hog rings, prevent seat from getting wrinkled.

3. Rear Seat

A: REMOVAL

1. WAGON

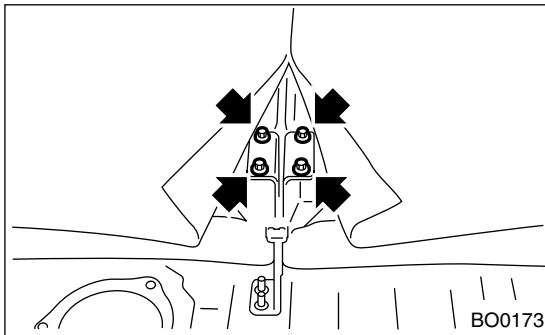
1) Remove bolts, and then detach rear seat cushion.



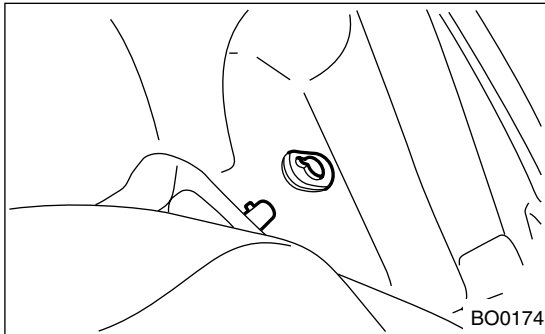
2) Remove headrest.

3) Remove the luggage floor mat. <Ref. to EI-38, REMOVAL, Luggage Floor Mat.>

4) Turn over the mat to remove bolts.

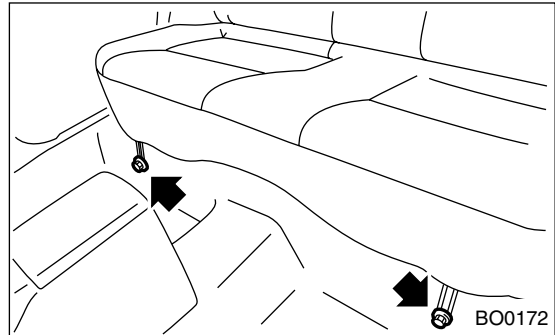


5) Remove rear seat backrest.

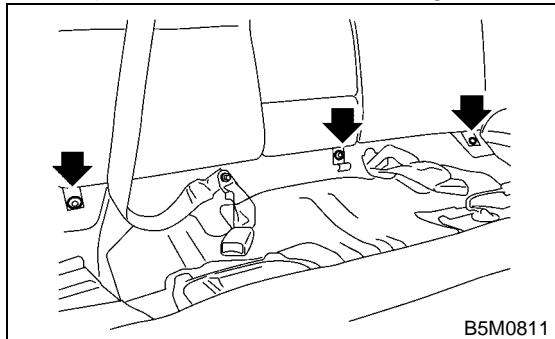


2. SEDAN

1) Remove bolts, and then detach rear seat cushion.



2) Remove bolts securing lower portion of backrest and then open the center trunk through lid.



3) Lift rear seat backrest and then remove it.

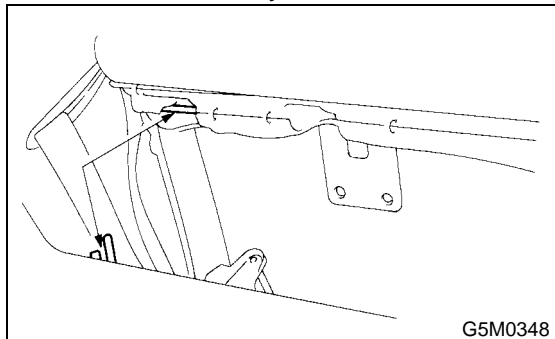
B: INSTALLATION

1. WAGON

Install in the reverse order of removal.

2. SEDAN

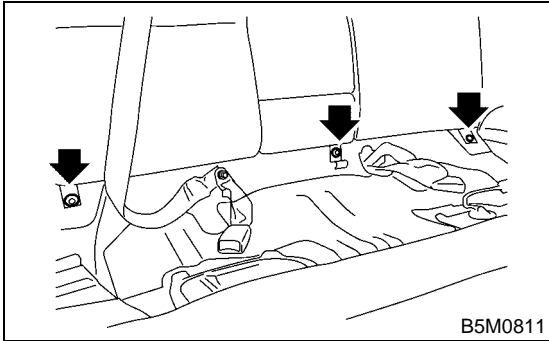
1) Hook and fasten the upper-back side of the rear seat backrest to the body hook.



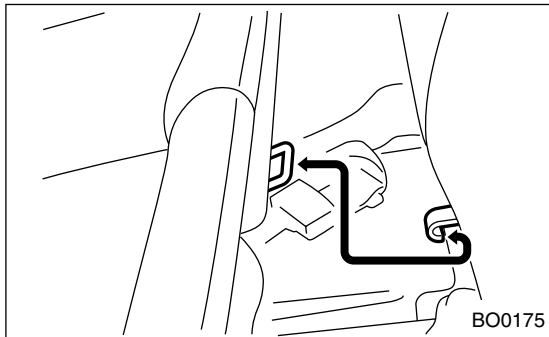
REAR SEAT

SEATS

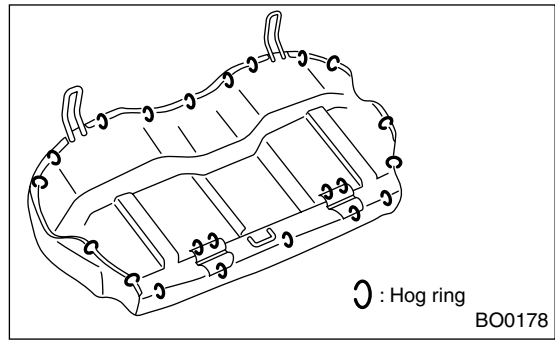
2) Tighten the bolts.



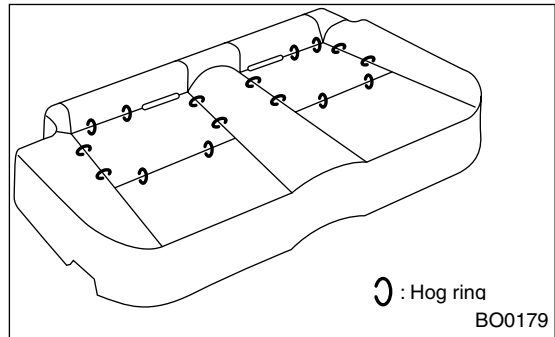
3) Hook and fasten the seat cushion to the hook on the lower part of the rear seat backrest.



4) Remove hog rings from around the seat cushion.



5) Remove the hog rings, and then remove the cover.

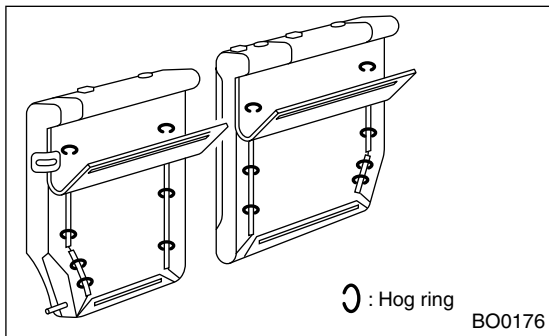


C: DISASSEMBLY

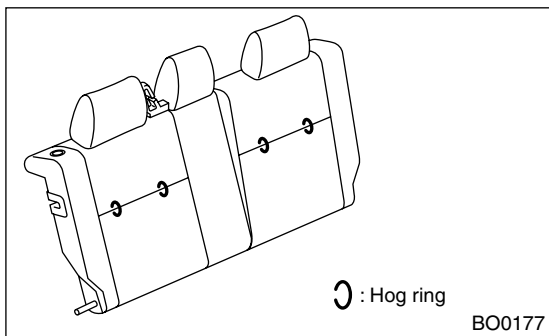
1. WAGON

1) Remove rear seat. <Ref. to SE-11, WAGON, REMOVAL, Rear Seat.>

2) Remove hog rings from around the seat backrest.



3) Remove the hog rings on front side of cushion pad, and then remove cover.

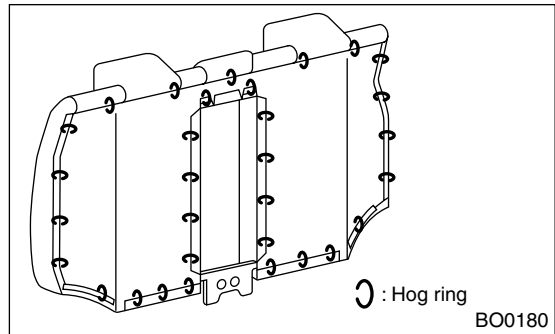


2. SEDAN

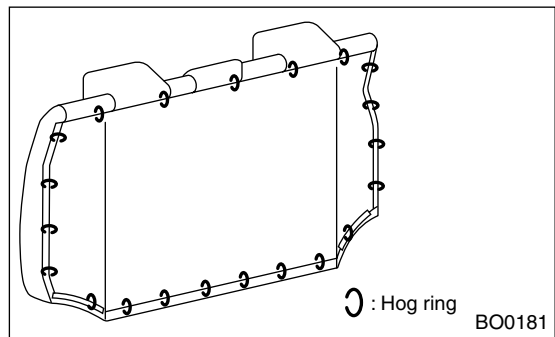
1) Remove rear seat. <Ref. to SE-11, SEDAN, REMOVAL, Rear Seat.>

2) Remove the hog rings from around the seat backrest.

Armrest through type model:

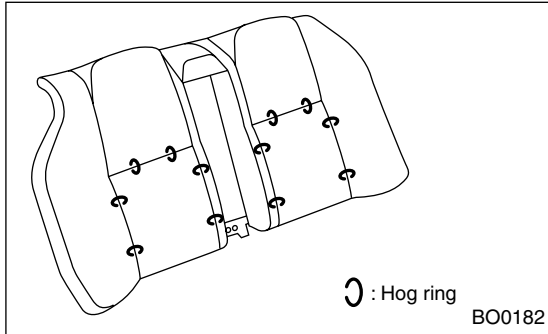


Unified type model:

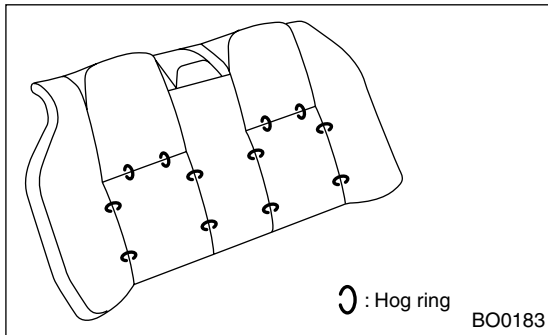


3) Remove the hog rings, and then remove the seat cover.

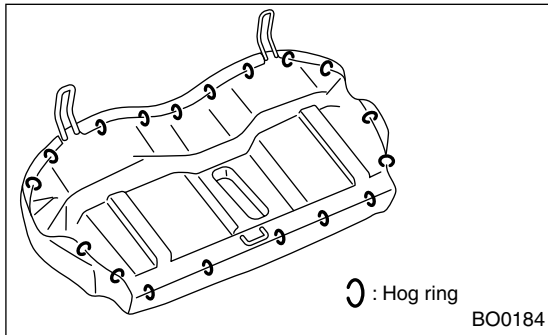
Armrest through type model:



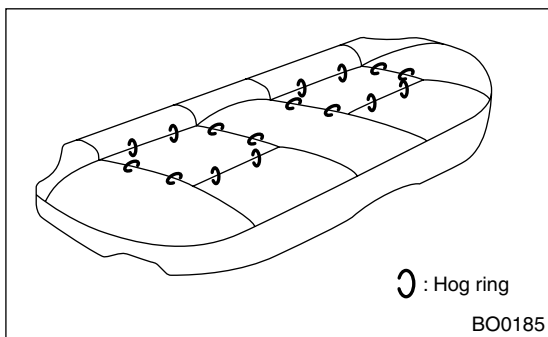
Unified type model:



4) Remove the hog rings around the seat cushion.



5) Remove the hog rings, and then remove the seat cover.



D: ASSEMBLY

1. WAGON

Assemble in the reverse order of disassembly.

NOTE:

- Do not contaminate or damage cover.
- While installing hog rings, prevent seat from getting wrinkled.

2. SEDAN

Assemble in the reverse order of disassembly.

NOTE:

- Do not contaminate or damage cover.
- While installing hog rings, prevent seat from getting wrinkled.

REAR SEAT

SEATS
