

**ENGINE 2 SECTION**

This service manual has been prepared to provide SUBARU service personnel with the necessary information and data for the correct maintenance and repair of SUBARU vehicles.

This manual includes the procedures for maintenance, disassembling, reassembling, inspection and adjustment of components and diagnostics for guidance of experienced mechanics.

Please peruse and utilize this manual fully to ensure complete repair work for satisfying our customers by keeping their vehicle in optimum condition. When replacement of parts during repair work is needed, be sure to use SUBARU genuine parts.

All information, illustration and specifications contained in this manual are based on the latest product information available at the time of publication approval.

**FUEL INJECTION (FUEL SYSTEMS) FU(SOHCw/oOBD)**

**EMISSION CONTROL (AUX. EMISSION CONTROL DEVICES) EC(SOHCw/oOBD)**

**EXHAUST EX(SOHCw/oOBD)**

**IGNITION IG(SOHCw/oOBD)**

**ENGINE(DIAGNOSTICS) EN(SOHCw/oOBD)**

**FUEL INJECTION (FUEL SYSTEMS) FU(DOHC TURBO)**

**EMISSION CONTROL (AUX. EMISSION CONTROL DEVICES) EC(DOHC TURBO)**

**INTAKE (INDUCTION) IN(DOHC TURBO)**

**MECHANICAL ME(DOHC TURBO)**

**EXHAUST EX(DOHC TURBO)**

**IGNITION IG(DOHC TURBO)**

**ENGINE (DIAGNOSTICS) EN(DOHC TURBO)**

# IGNITION

# *IG(DOHC TURBO)*

---

	<b>Page</b>
1. General Description .....	2
2. Spark Plug.....	4
3. Ignition Coil and Ignitor Assembly.....	8

# GENERAL DESCRIPTION

IGNITION

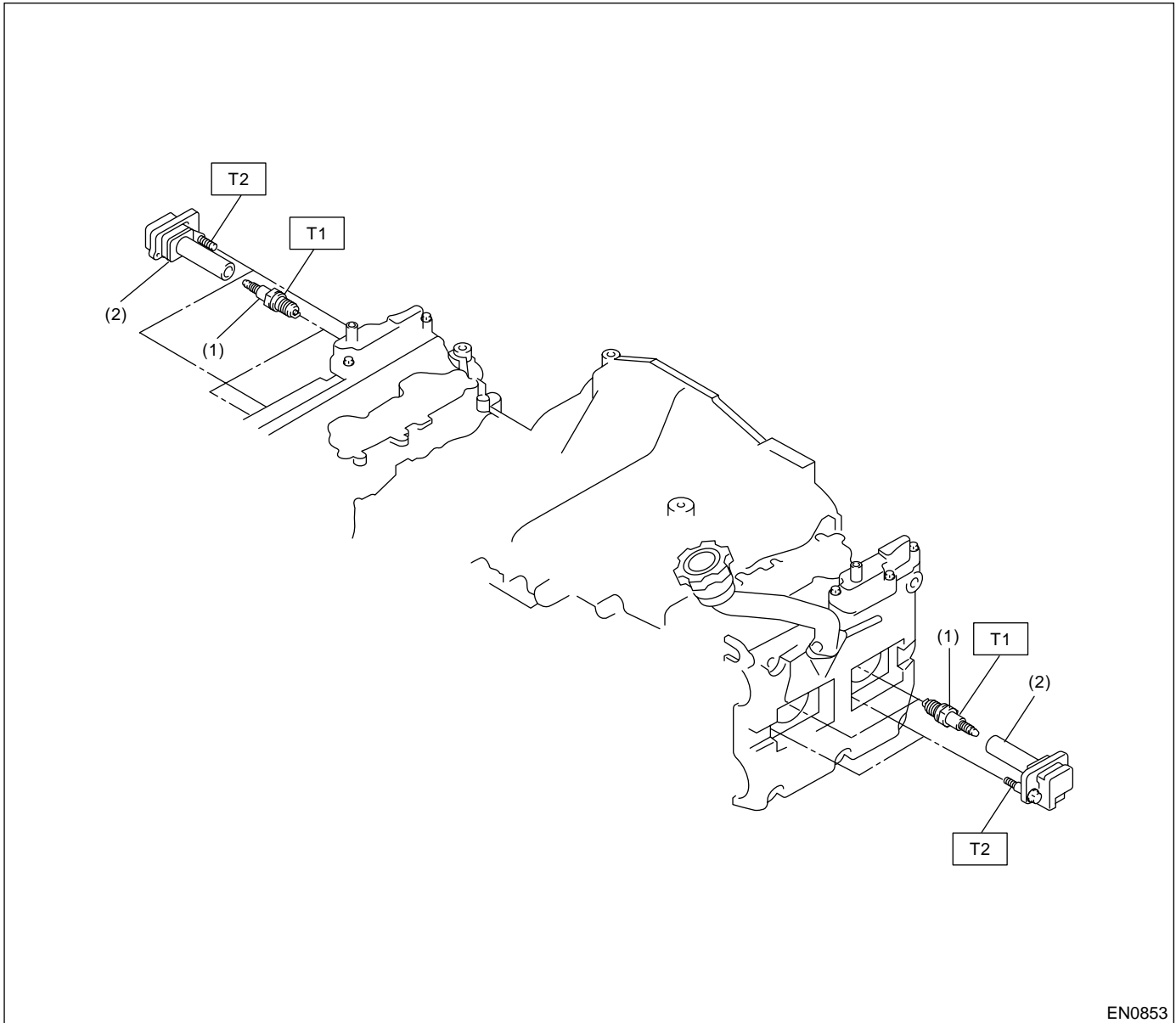
---

## 1. General Description

### A: SPECIFICATIONS

Item		Designation
Ignition coil and ignitor assembly	Model	FK0140
	Manufacturer	DIAMOND
Spark plug	Type and manufacturer	PFR6G ..... NGK
	Thread size	mm 14, P = 1.25
	Spark gap	mm (in) 0.7 — 0.8 (0.028 — 0.031)

**B: COMPONENT**



EN0853

- (1) Spark plug
- (2) Ignition coil and ignitor ASSY

**Tightening torque: N·m (kgf·m, ft·lb)**

**T1: 21 (2.1, 15)**

**T2: 16 (1.6, 11.7)**

**C: CAUTION**

- Wear working clothing, including a cap, protective goggles, and protective shoes during operation.
- Remove contamination including dirt and corrosion before removal, installation or disassembly.
- Keep the disassembled parts in order and protect them from dust or dirt.
- Before removal, installation or disassembly, be sure to clarify the failure. Avoid unnecessary removal, installation, disassembly, and replacement.

- Be careful not to burn your hands, because each part on the vehicle is hot after running.
- Be sure to tighten fasteners including bolts and nuts to the specified torque.
- Place shop jacks or safety stands at the specified points.
- Before disconnecting electrical connectors of sensors or units, be sure to disconnect negative terminal from battery.

# SPARK PLUG

## IGNITION

### 2. Spark Plug

#### A: REMOVAL

##### CAUTION:

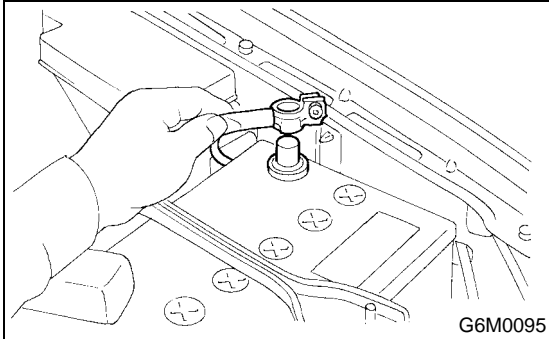
All spark plugs installed on an engine, must be of the same heat range.

Spark plug:

NGK: PFR6G

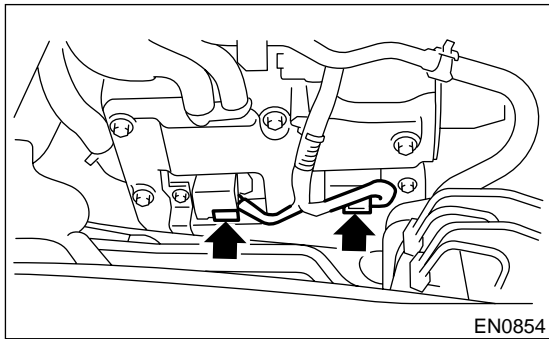
#### 1. RH SIDE

1) Disconnect battery ground cable.

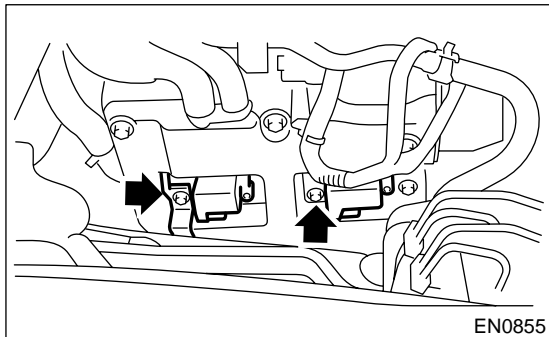


2) Remove air cleaner lower case. <Ref. to IN(DOHC TURBO)-7, REMOVAL, Air Cleaner.>

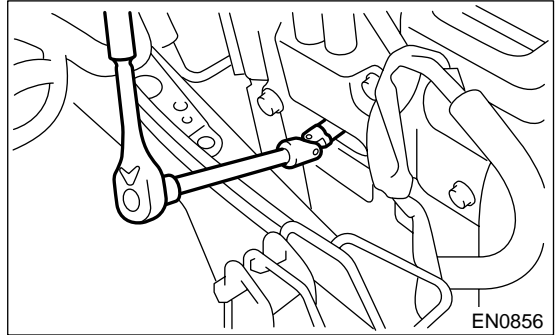
3) Disconnect connector from ignition coil.



4) Remove ignition coil.

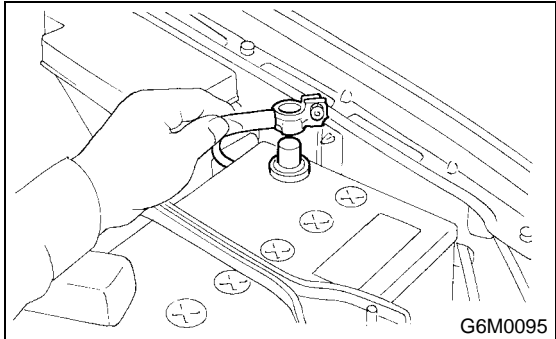


5) Remove spark plugs with the spark plug socket.

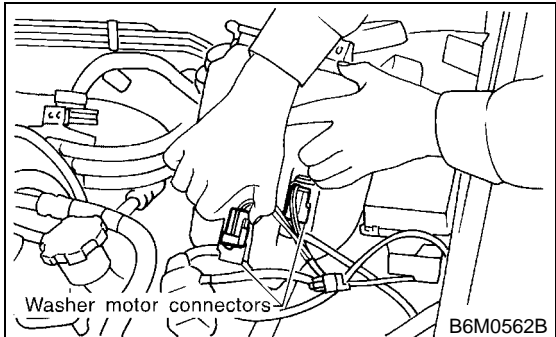


#### 2. LH SIDE

1) Disconnect battery cables, and then remove battery and battery carrier.

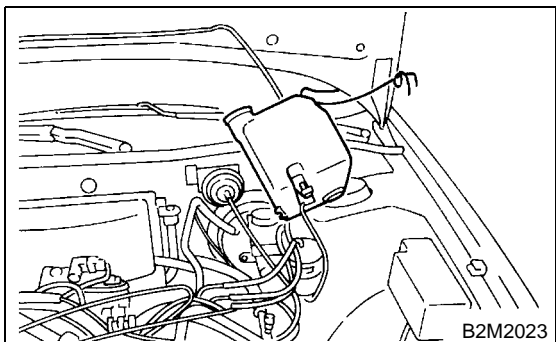


2) Disconnect washer motor connector.

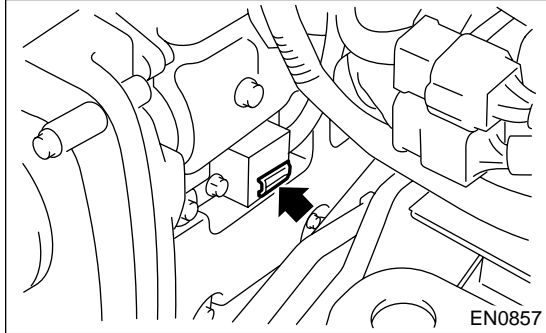


3) Disconnect rear window glass washer hose from washer motor, then plug connection with a suitable cap.

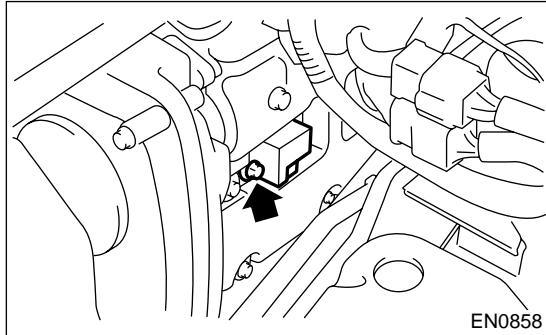
4) Remove the two bolts which hold the washer tank, then take the tank away from the working area.



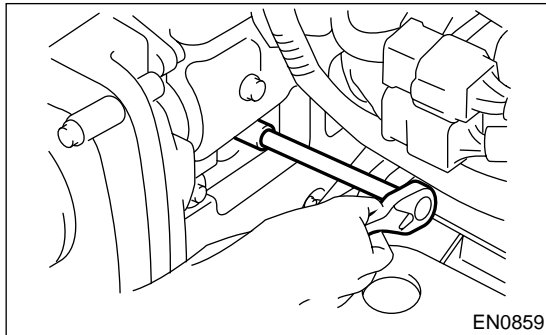
5) Disconnect connector from ignition coil.



6) Remove ignition coil.



7) Remove spark plug with the spark plugs socket.



## B: INSTALLATION

### 1. RH SIDE

1) Install in the reverse order of removal.

**Tightening torque (Spark plug):**  
**21 N·m (2.1 kgf-m, 15 ft-lb)**

**Tightening torque (Ignition coil):**  
**16 N·m (1.63 kgf-m, 11.8 ft-lb)**

#### CAUTION:

The above torque should be only applied to new spark plugs without oil on their threads. In case their threads are lubricated, the torque should be reduced by approximately 1/3 of the specified torque in order to avoid over-stressing.

### 2. LH SIDE

1) Install in the reverse order of removal.

**Tightening torque (Spark plug):**  
**21 N·m (2.1 kgf-m, 15 ft-lb)**

**Tightening torque (Ignition coil):**  
**16 N·m (1.63 kgf-m, 11.8 ft-lb)**

#### CAUTION:

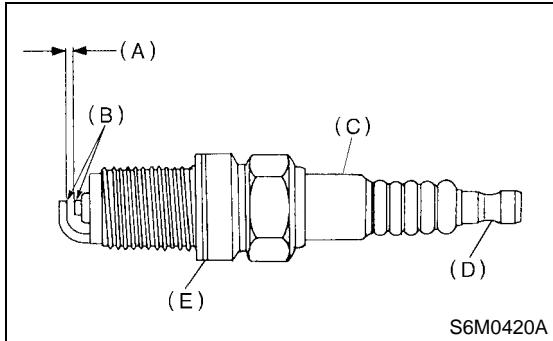
The above torque should be only applied to new spark plugs without oil on their threads. In case their threads are lubricated, the torque should be reduced by approximately 1/3 of the specified torque in order to avoid over-stressing.

# SPARK PLUG

## IGNITION

### C: INSPECTION

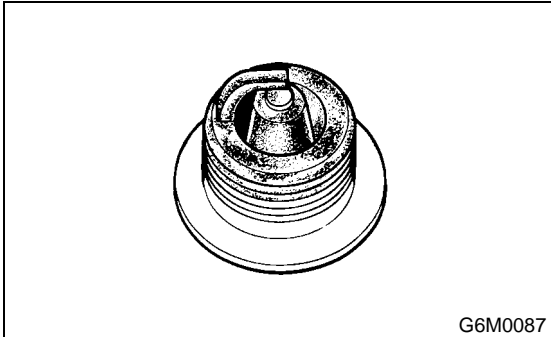
Check electrodes and inner and outer porcelain of plugs, noting the type of deposits and the degree of electrode erosion.



- (A) Electrode gap
- (B) Carbon accumulation or wear
- (C) Cracks
- (D) Damage
- (E) Damaged gasket

#### 1) Normal

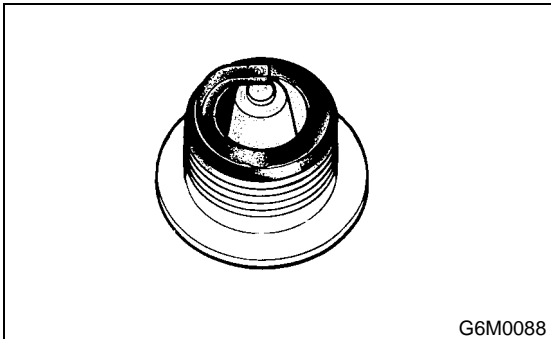
Brown to grayish-tan deposits and slight electrode wear indicate correct spark plug heat range.



#### 2) Carbon fouled

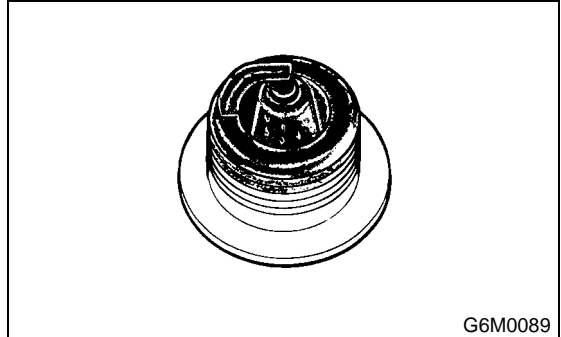
Dry fluffy carbon deposits on insulator and electrode are mostly caused by slow speed driving in city, weak ignition, too rich fuel mixture, dirty air cleaner, etc.

It is advisable to replace with plugs having hotter heat range.



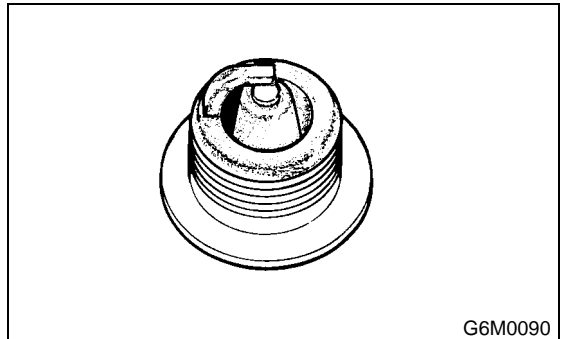
#### 3) Oil fouled

Wet black deposits show excessive oil entrance into combustion chamber through worn rings and pistons or excessive clearance between valve guides and stems. If same condition remains after repair, use a hotter plug.



#### 4) Overheating

White or light gray insulator with black or gray brown spots and bluish burnt electrodes indicate engine overheating. Moreover, the appearance results from incorrect ignition timing, loose spark plugs, wrong selection of fuel, hotter range plug, etc. It is advisable to replace with plugs having colder heat range.



**D: ADJUSTMENT**

Clean spark plugs in a sand blast type cleaner.

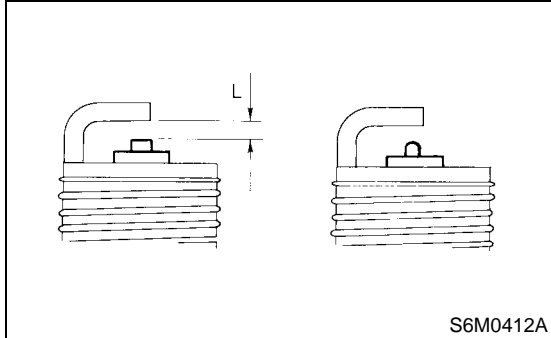
Avoid excessive blasting. Clean and remove carbon or oxide deposits, but do not wear away porcelain.

If deposits are too stubborn, replace plugs.

After cleaning spark plugs, recondition firing surface of electrodes with file. Then correct the spark plug gap using a gap gauge.

**Spark plug gap: L**

**0.7 — 0.8 mm (0.028 — 0.031 in)**

**NOTE:**

Replae with new spark plug if this area is worn to “ball” shape.



# IGNITION COIL AND IGNITOR ASSEMBLY

## IGNITION

---

### 3. Ignition Coil and Ignitor Assembly

#### A: REMOVAL

- Direct ignition type has been adopted. Refer to the "Spark Plug Removal" for removal procedure. <Ref. to IG(DOHC TURBO)-4, REMOVAL, Spark Plug.>

#### B: INSTALLATION

- 1) Install in the reverse order of removal.

#### *Tightening torque:*

**16 N·m (1.63 kgf·m, 11.8 ft·lb)**

#### C: INSPECTION

- Igniter is integrated with the coil. Therefore resistance cannot be measured.