

Brought to you by Eris Studios
NOT FOR RESALE

SEAT BELT SYSTEM

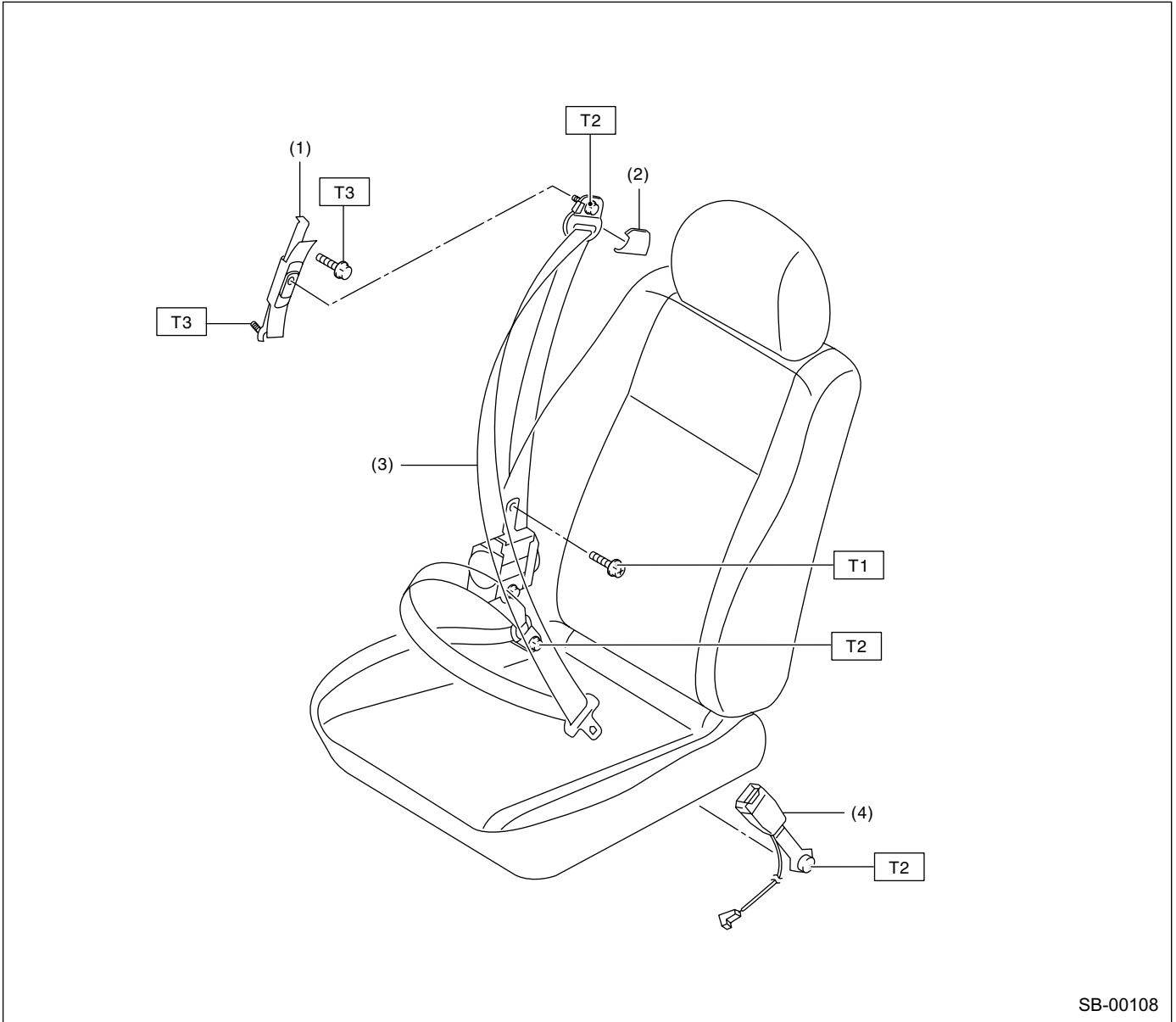
GENERAL DESCRIPTION

SEAT BELT SYSTEM

1. General Description

A: COMPONENT

1. FRONT SEAT BELT



SB-00108

- (1) Adjuster anchor ASSY
- (2) Anchor cover
- (3) Outer belt ASSY
- (4) Inner belt ASSY

Tightening torque: N·m (kgf·m, ft·lb)

T1: 7.5 (0.76, 5.5)

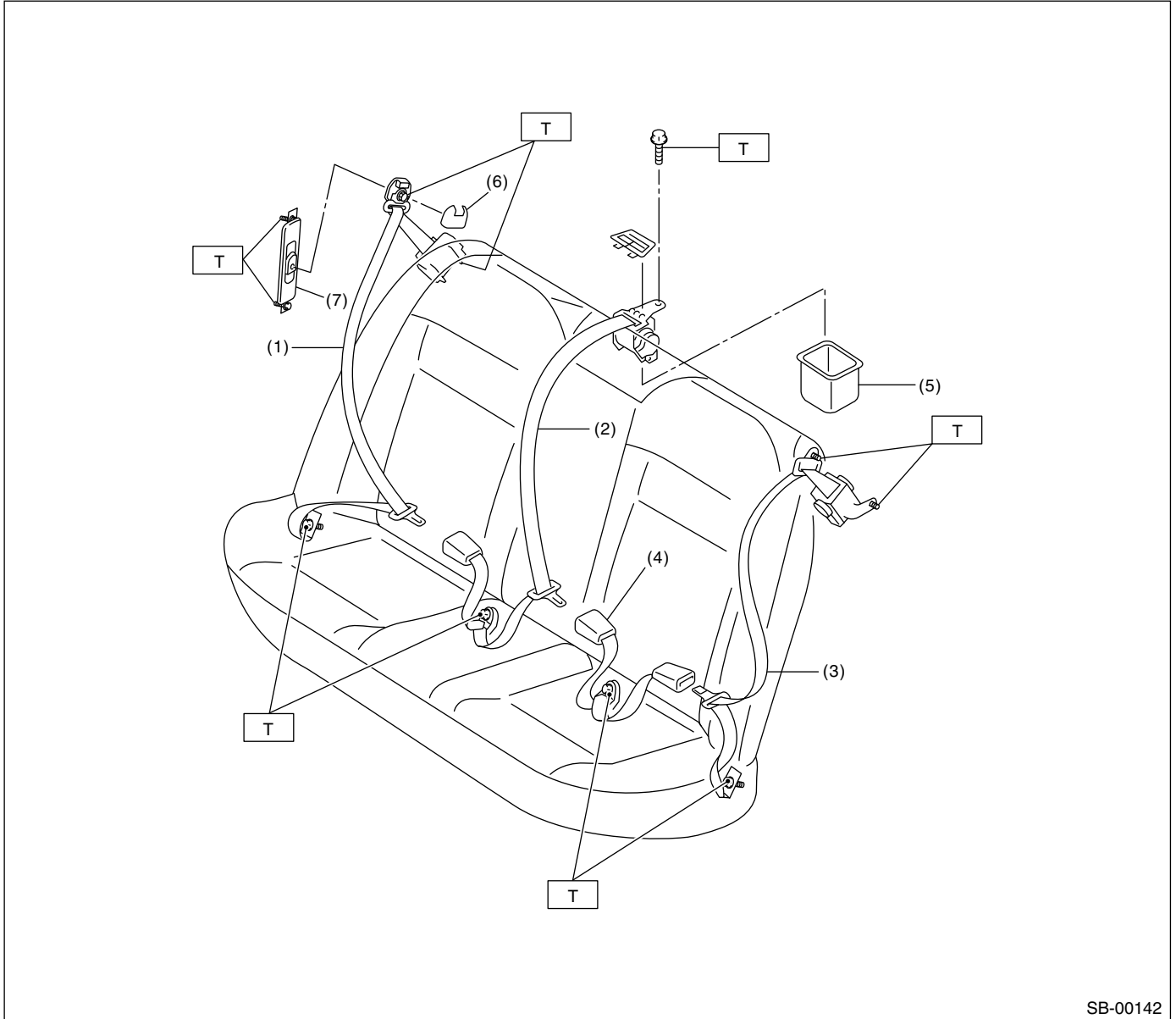
T2: 30 (3.1, 22)

T3: 53 (5.4, 39)

GENERAL DESCRIPTION

SEAT BELT SYSTEM

2. REAR SEAT BELT (SEDAN MODEL)



SB-00142

- | | |
|---------------------------------|----------------------------|
| (1) Outer seat belt RH ASSY | (5) Case center ELR |
| (2) Shoulder seat belt CTR ASSY | (6) Anchor cover |
| (3) Outer seat belt LH ASSY | (7) Adjustable anchor ASSY |
| (4) Center seat belt LH ASSY | |

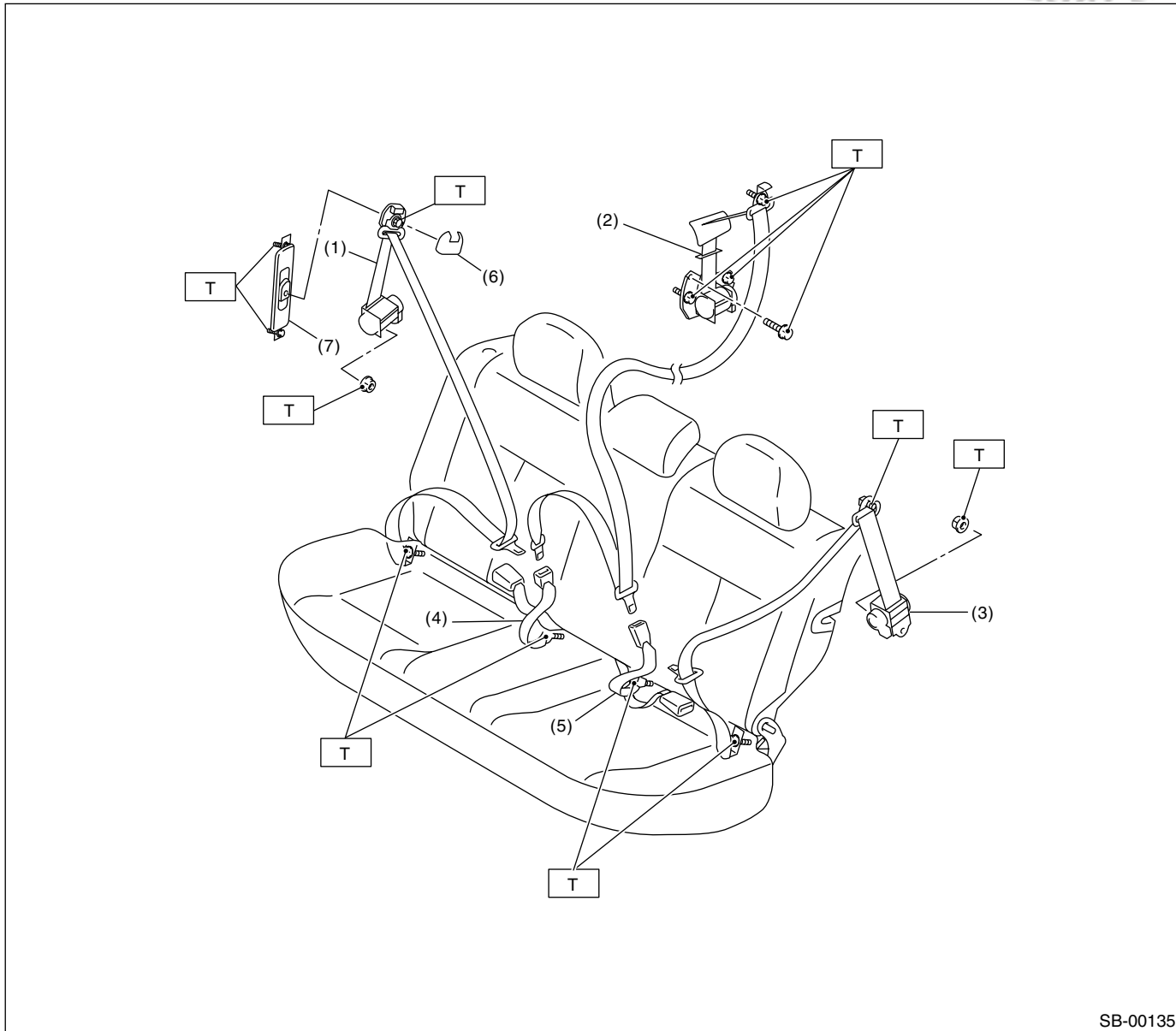
Tightening torque: N-m (kgf-m, ft-lb)

T: 30 (3.1, 22)

GENERAL DESCRIPTION

SEAT BELT SYSTEM

3. REAR SEAT BELT (WAGON MODEL)



SB-00135

- | | |
|---------------------------------|------------------------------|
| (1) Outer seat belt RH ASSY | (5) Center seat belt LH ASSY |
| (2) Shoulder seat belt CTR ASSY | (6) Anchor cover |
| (3) Outer seat belt LH ASSY | (7) Adjustable anchor ASSY |
| (4) Center seat belt RH ASSY | |

Tightening torque: N-m (kgf-m, ft-lb)

T: 30 (3.1, 22)

B: CAUTION

- Before starting, turn the ignition switch to OFF, disconnect the battery ground cable and wait for 20 seconds or more.
- The pretensioner system has a backup power source. The pretensioner might deploy if you do not wait for 20 seconds or more before starting work.
- Do not drop or apply any impact to the pretensioner.
- If oil, grease, or water gets on the pretensioner, wipe it off immediately with a dry cloth.
- Do not expose the pretensioner to high temperature or flame.
- Do not allow current to flow through or voltage to reach the pretensioner. Do not use a circuit tester to check resistance of the pretensioner.
- Do not disassemble or attempt to repair the pretensioner. If it is dented, cracked, or deformed, replace it with a new one.
- Do not use the airbag or pretensioner parts from other vehicles. Always replace parts with new parts.
- When handling a seat belt with a deployed pretensioner, wear gloves and goggles. Wash your hands afterwards.
- Do not re-use a seat belt with a deployed pretensioner again.
- If the material gets in your eyes or on your skin during deployment, wash it away with clean water, and then consult a doctor.

PRETENSIONER CONNECTOR

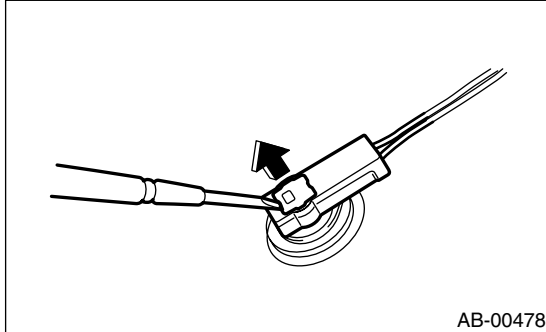
SEAT BELT SYSTEM

2. Pretensioner Connector

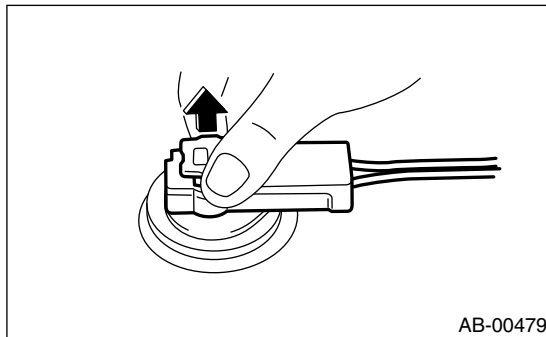
A: OPERATION

1) How to disconnect:

- (1) Using a flat tip screwdriver, pry the push lock upward to unlock.



- (2) Pull the connector to disconnect from retractor assembly.

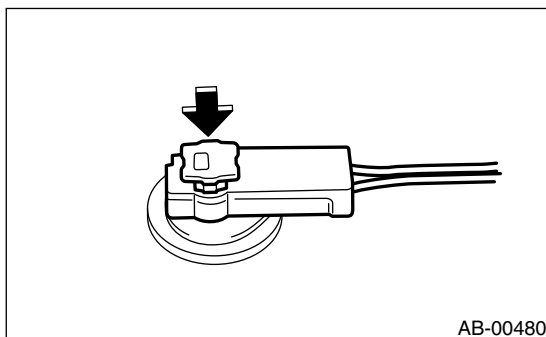


2) How to connect:

Connect the connector in reverse order of disconnecting. At this time, be sure to insert the connector in until connecting sound is heard.

CAUTION:

- Be sure to insert the connector in until it locks. Then pull on it gently to make sure that it is locked.
- At this time, be sure to insert the push lock in.



3. Inspection Locations After a Collision

A: INSPECTION

Check for the following, and then replace with new parts if necessary.

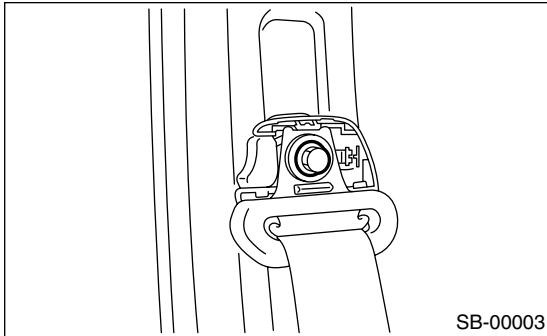
- Center pillar lower garnish is discolored or cracked.
- Wire harness and/or connector is damaged.

4. Front Seat Belt

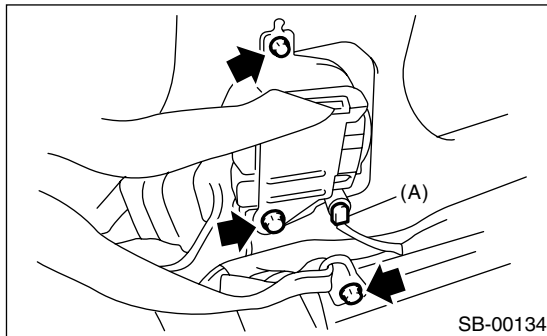
A: REMOVAL

1. FRONT OUTER BELT

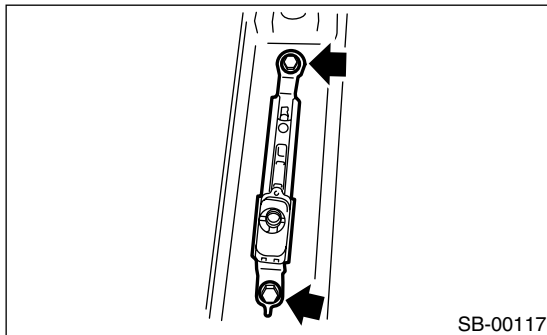
- 1) Turn the ignition switch to OFF, disconnect the ground cable from battery, and wait for more than 20 seconds before starting work.
- 2) Fold backrest all the way forward, and then move front seat all the way forward.
- 3) Remove the center pillar lower trim. <Ref. to EI-48, REMOVAL, Lower Inner Trim.>
- 4) Remove the anchor cover. Loosen the shoulder anchor bolt, and then detach the shoulder anchor from center pillar.



- 5) Turn over the floor mat to disconnect the connector (A) of pretensioner, and then loosen the three bolts to remove the front outer belt.



- 6) Remove the center pillar upper trim. <Ref. to EI-47, REMOVAL, Upper Inner Trim.>
- 7) Remove the two bolts and adjustable anchor assembly.



CAUTION:

- Do not drop or apply any impact to the pretensioner.
- Pretensioner and bracket should be treated as an assembly. Do not attempt to disassemble it.

2. FRONT INNER BELT

- 1) Turn the ignition switch to OFF, disconnect the ground cable from battery, and wait for more than 20 seconds before starting work.
- 2) Remove the console box. <Ref. to EI-43, REMOVAL, Console Box.>
- 3) Disconnect the seat belt warning light connector under the seat.
- 4) Remove the clip of harness from seat rail.
- 5) Remove the anchor bolt, and then remove the inner belt.



B: INSTALLATION

1. FRONT OUTER BELT

Install in the reverse order of removal.

CAUTION:

- Parts on right and left are not identical. Before installation, make sure the correct part is used.
- Be careful not to twist the seat belts during installation.

Tightening torque:

<Ref. to SB-2, FRONT SEAT BELT, COMPONENT, General Description.>

2. FRONT INNER BELT

Install in the reverse order of removal.

Tightening torque:

<Ref. to SB-2, FRONT SEAT BELT, COMPONENT, General Description.>

C: INSPECTION

1. FRONT OUTER BELT

Check for the following, and replace with new parts if necessary.

- Pretensioner is cracked or deformed.
- Seat belt is slackened, bent, or frayed. Seat belt is abnormally wound or extended.

2. FRONT INNER BELT

Check for the following, and replace with new parts if necessary.

- Inner belt is deformed or damaged.
- Seat belt buckle is engaged improperly.

REAR SEAT BELT

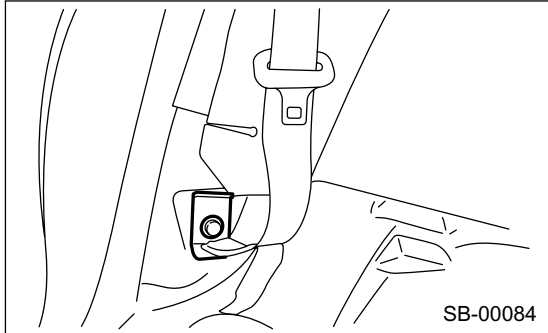
SEAT BELT SYSTEM

5. Rear Seat Belt

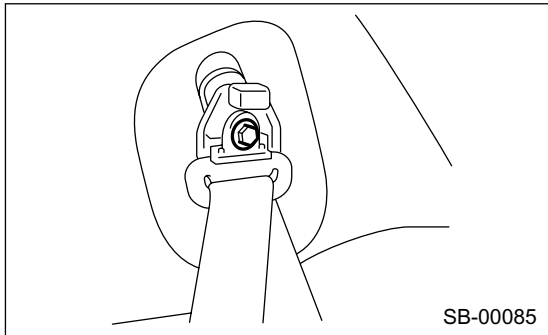
A: REMOVAL

1. OUTER BELT RH AND LH (SEDAN MODEL)

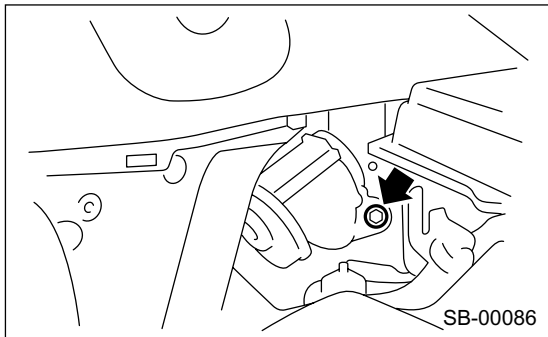
- 1) Remove the rear seat. <Ref. to SE-16, REMOVAL, Rear Seat.>
- 2) Remove the side sill rear lower cover. <Ref. to EI-48, REMOVAL, Lower Inner Trim.>
- 3) Remove the seat belt lower anchor bolt.



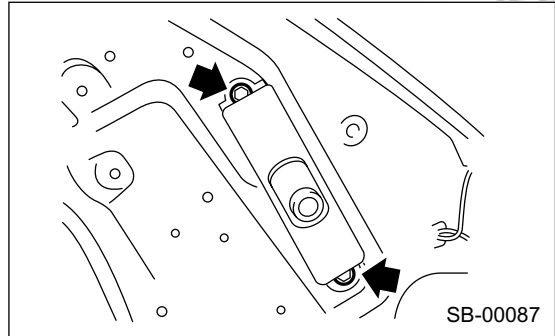
- 4) Remove the anchor cover. Remove the bolt and shoulder anchor from pillar.



- 5) Remove the quarter pillar trim. <Ref. to EI-49, REMOVAL, Rear Quarter Trim.>
- 6) Remove the bolts, and then detach the seat belt.

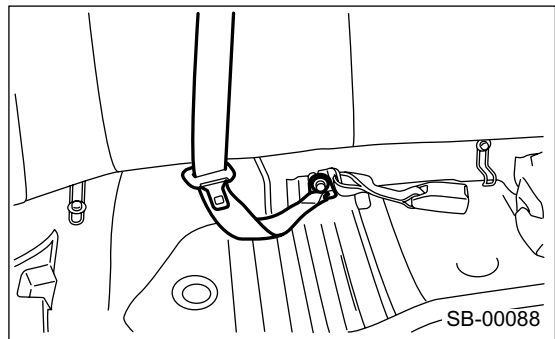


- 7) Remove the two bolts and adjustable anchor ASSY.

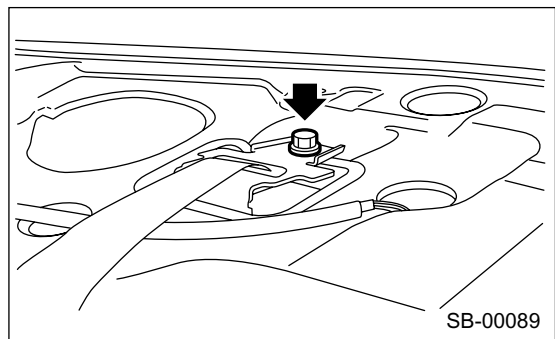


2. SHOULDER BELT CTR (SEDAN MODEL)

- 1) Remove the rear seat. <Ref. to SE-16, REMOVAL, Rear Seat.>
- 2) Remove the seat belt lower anchor bolt.

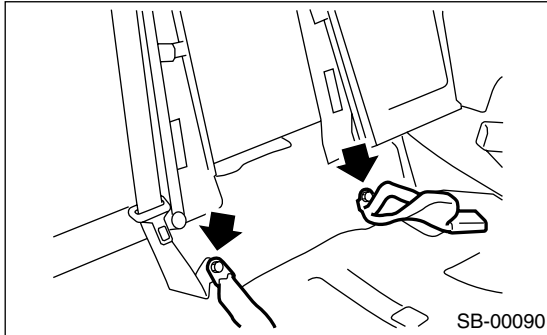


- 3) Remove the quarter pillar trim. <Ref. to EI-49, REMOVAL, Rear Quarter Trim.>
- 4) Remove the rear shelf trim. <Ref. to EI-54, REMOVAL, Rear Shelf Trim.>
- 5) Remove the bolts, and then detach the seat belt.



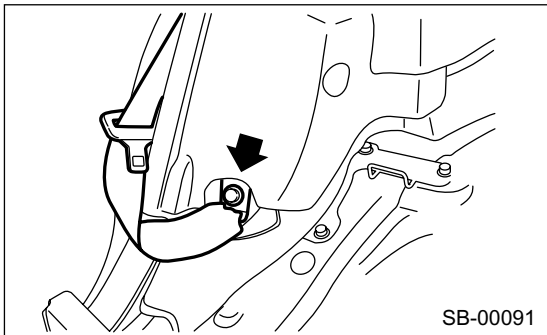
3. CENTER BELT (SEDAN MODEL)

- 1) Remove the rear cushion. <Ref. to SE-16, REMOVAL, Rear Seat.>
- 2) Remove the bolts, and then detach the inner belt.

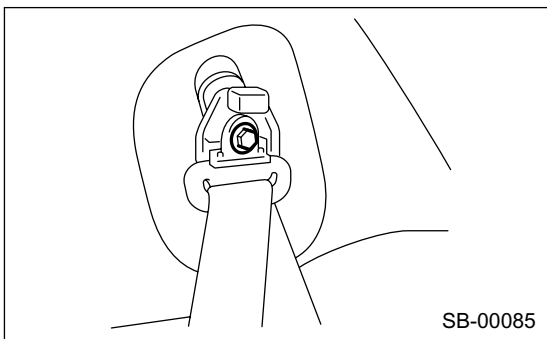


4. OUTER BELT RH AND LH (WAGON MODEL)

- 1) Remove the luggage floor mat. <Ref. to EI-57, REMOVAL, Luggage Floor Mat.>
- 2) Remove the rear seat. <Ref. to SE-16, REMOVAL, Rear Seat.>
- 3) Remove the side sill rear lower cover. <Ref. to EI-48, REMOVAL, Lower Inner Trim.>
- 4) Remove the seat belt lower anchor bolt.

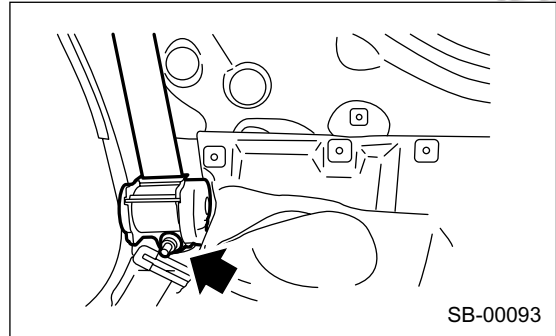


- 5) Remove the anchor cover. Remove the bolt and shoulder anchor from pillar.

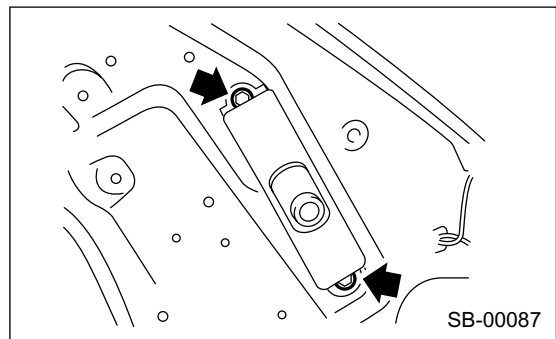


- 6) Remove the rear quarter trim. <Ref. to EI-49, REMOVAL, Rear Quarter Trim.>

- 7) Remove the bolts, and then detach the outer belt side.

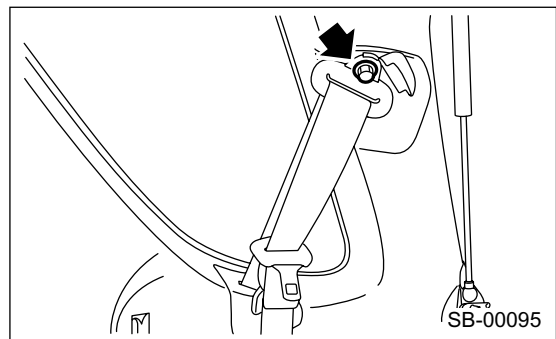


- 8) Remove the two bolts and adjustable anchor ASSY.



5. SHOULDER BELT CTR (WAGON MODEL)

- 1) Remove the shoulder anchor bolt, and then detach the shoulder anchor from quarter pillar.

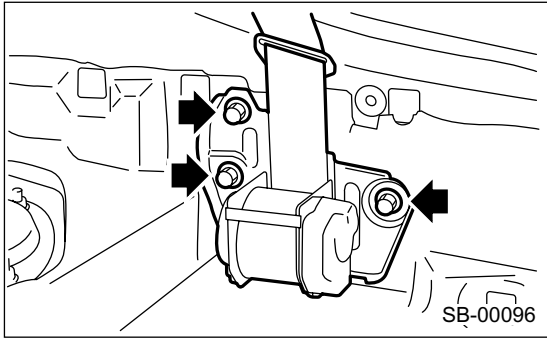


- 2) Remove the quarter trim. <Ref. to EI-49, REMOVAL, Rear Quarter Trim.>

REAR SEAT BELT

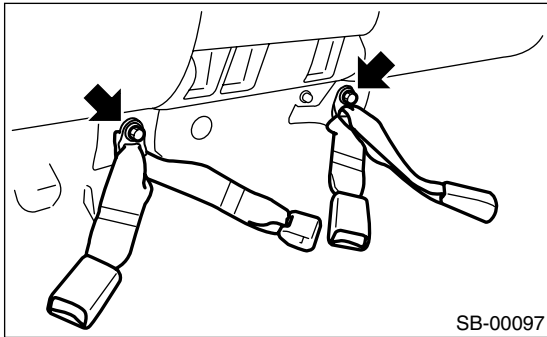
SEAT BELT SYSTEM

3) Remove the three bolts, and then detach the outer belt center.



6. CENTER BELT (WAGON MODEL)

- 1) Remove the rear cushion.
- 2) Remove the bolt, and then detach the inner belt.



B: INSTALLATION

1. OUTER BELT RH AND LH (SEDAN MODEL)

Install in the reverse order of removal.

CAUTION:

- During installation, make sure that the seat belts are not twisted.
- After installation, make sure that the seat belts can be smoothly extended and wound.

2. SHOULDER BELT CTR (SEDAN MODEL)

Install in the reverse order of removal.

CAUTION:

- During installation, make sure that the seat belts are not twisted.
- After installation, make sure that the seat belts can be smoothly extended and wound.

3. CENTER BELT (SEDAN MODEL)

Install in the reverse order of removal.

CAUTION:

During installation, make sure that the seat belts are not twisted.

4. OUTER BELT RH AND LH (WAGON MODEL)

Install in the reverse order of removal.

CAUTION:

- During installation, make sure that the seat belts are not twisted.
- After installation, make sure that the seat belts can be smoothly extended and wound.

5. SHOULDER BELT CTR (WAGON MODEL)

Install in the reverse order of removal.

CAUTION:

- During installation, make sure that the seat belts are not twisted.
- After installation, make sure that the seat belts are smoothly extended and wound.

6. CENTER BELT (WAGON MODEL)

Install in the reverse order of removal.

CAUTION:

During installation, make sure that the seat belts are not twisted.

C: INSPECTION

1. OUTER BELT RH AND LH (SEDAN MODEL)

Check for the following, and replace with new parts if necessary.

- Seat belt is slackened, bent, or frayed. Seat belt is abnormally wound or extended.

2. SHOULDER BELT CTR (SEDAN MODEL)

Check for the following, and replace with new parts if necessary.

- Seat belt is slackened, bent, or frayed. Seat belt is abnormally wound or extended.

3. CENTER BELT (SEDAN MODEL)

Check for the following, and replace with new parts if necessary.

- Inner belt is deformed or damaged.
- Seat belt buckle is engaged improperly.

4. OUTER BELT RH AND LH (WAGON MODEL)

Check for the following, and replace with new parts if necessary.

- Seat belt is slackened, bent, or frayed. Seat belt is abnormally wound or extended.

5. SHOULDER BELT CTR (WAGON MODEL)

Check for the following, and replace with new parts if necessary.

- Seat belt is slackened, bent, or frayed. Seat belt is abnormally wound or extended.

6. CENTER BELT (WAGON MODEL)

Check for the following, and replace with new parts if necessary.

- Inner belt is deformed or damaged.
- Seat belt buckle is engaged improperly.

Brought to you by Eris Studios
NOT FOR RESALE