

Brought to you by Eris Studios
NOT FOR RESALE

SPEED CONTROL SYSTEMS

General Description

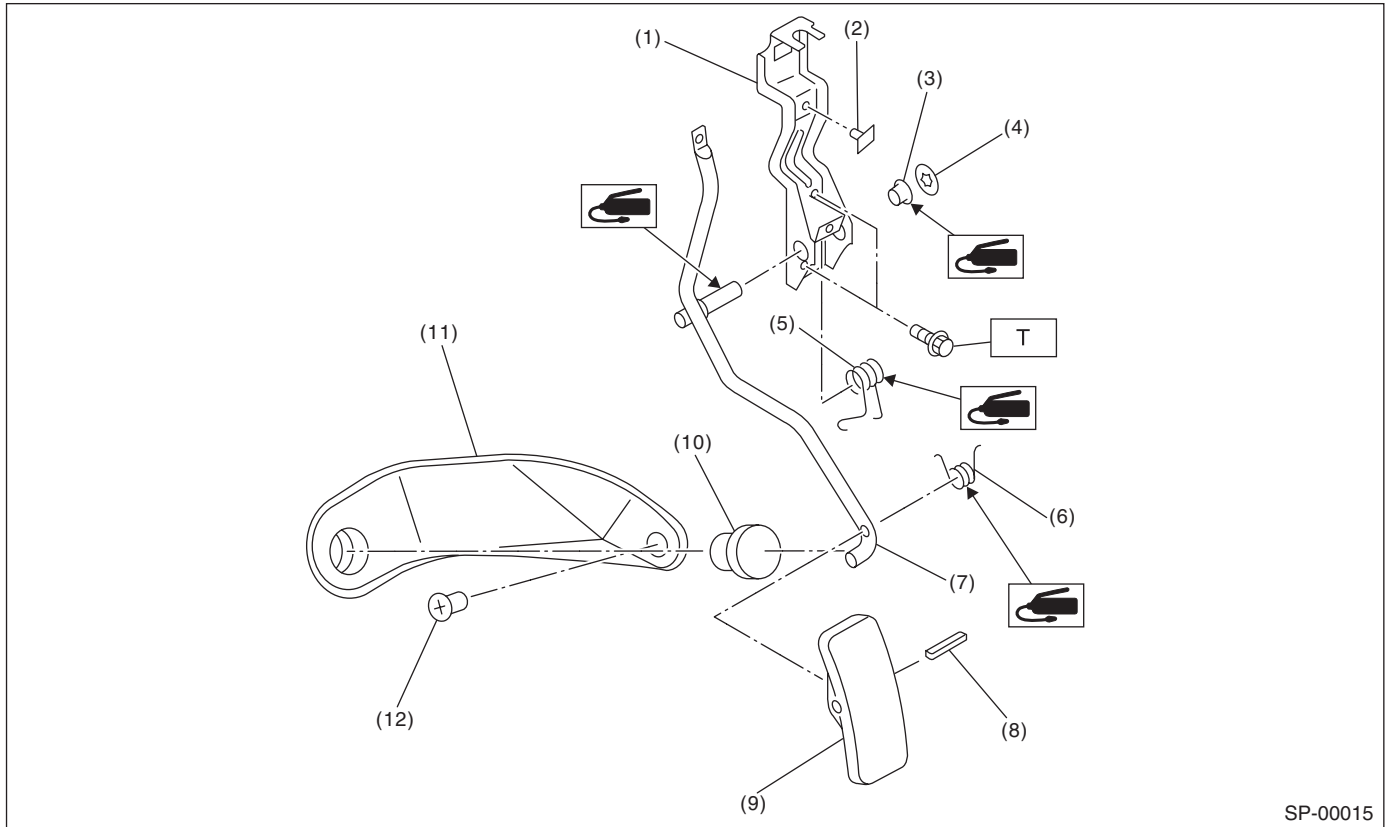
SPEED CONTROL SYSTEMS

1. General Description

A: SPECIFICATION

Accelerator pedal	Free play	At pedal pad	0 — 4 mm (0 — 0.16 in)
	Stroke	At pedal pad	52 — 57 mm (2.05 — 2.24 in)

B: COMPONENT



- | | | |
|-------------------------|------------------------------|------------------------|
| (1) Accelerator bracket | (6) Accelerator pedal spring | (11) Accelerator plate |
| (2) Stopper | (7) Accelerator pedal lever | (12) Clip |
| (3) Bushing | (8) Spring pin | |
| (4) Clip | (9) Accelerator pedal | |
| (5) Accelerator spring | (10) Accelerator stopper | |

Tightening torque: N·m (kgf·m, ft·lb)
T: 18 (1.8, 13.0)

C: CAUTION

- Wear work clothing, including a cap, protective goggles, and protective shoes during operation.
- Remove contamination, including dirt and corrosion, before removal, installation or disassembly.
- Keep the disassembled parts in order and protect them from dust and dirt.
- Before removal, installation or disassembly, be sure to clarify the failure. Avoid unnecessary removal, installation, disassembly, and replacement.
- Be careful not to burn your hands, because each part in the vehicle is hot after running.
- Be sure to tighten fasteners including bolts and nuts to the specified torque.
- Place shop jacks or safety stands at the specified points.

- Before disconnecting electrical connectors of sensors or units, be sure to disconnect the ground cable from battery.

2. Accelerator Pedal

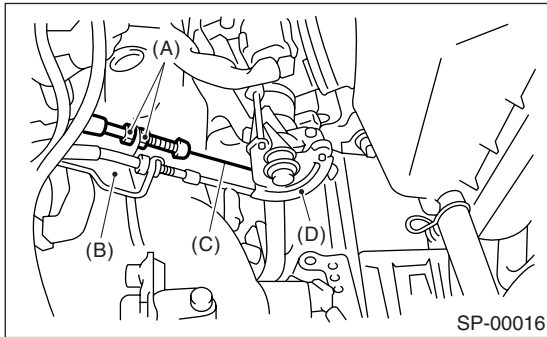
A: REMOVAL

- 1) Disconnect the ground cable from battery.
- 2) Remove the lock nut from accelerator cable bracket.
- 3) Separate the accelerator cable from bracket.
- 4) Remove the accelerator cable end from throttle cam.

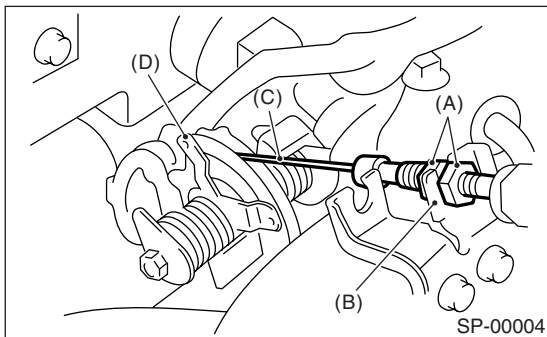
NOTE:

Be careful not to kink the accelerator cable.

• **NON-TURBO MODEL**



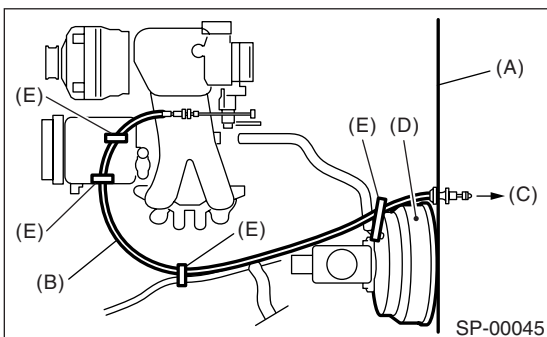
• **TURBO MODEL**



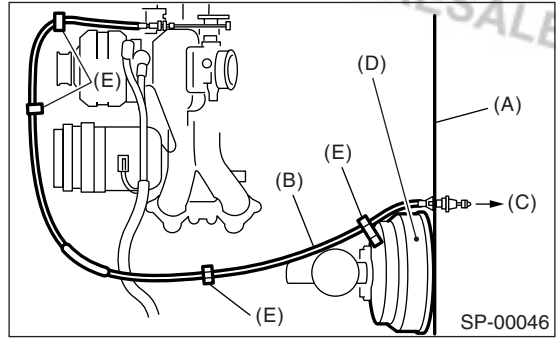
- (A) Lock nut
- (B) Accelerator cable bracket
- (C) Accelerator cable
- (D) Throttle cam

- 5) Remove the clip inside engine compartment.

• **NON-TURBO MODEL**

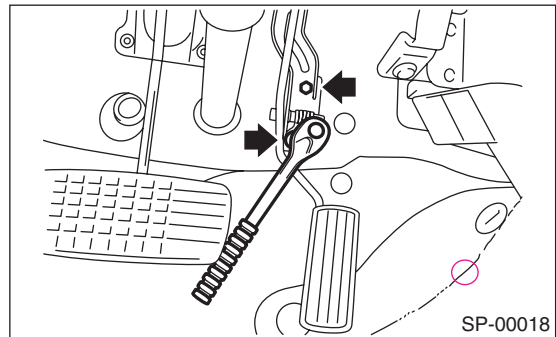


• **TURBO MODEL**



- (A) Toe board
- (B) Accelerator cable
- (C) To accelerator pedal
- (D) Brake booster
- (E) Clip

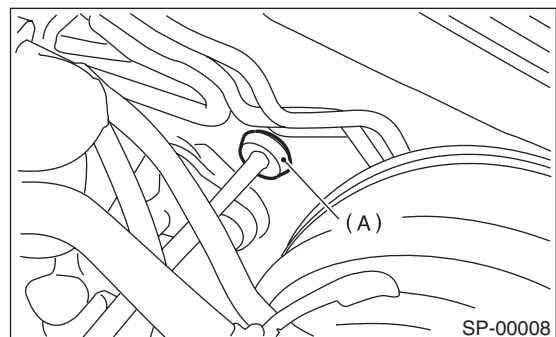
- 6) Remove the instrument panel lower cover from instrument panel.
- 7) Remove the accelerator pedal connecting bolt from accelerator pedal bracket.



- 8) Disconnect the grommet from toe board.

NOTE:

From inside compartment, push the grommet (A) into hole.

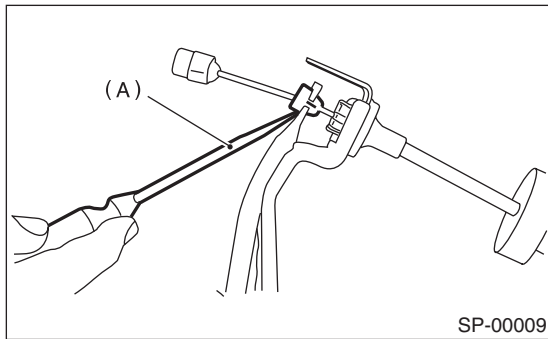


- 9) Pull out the cable from toe board hole.

Accelerator Pedal

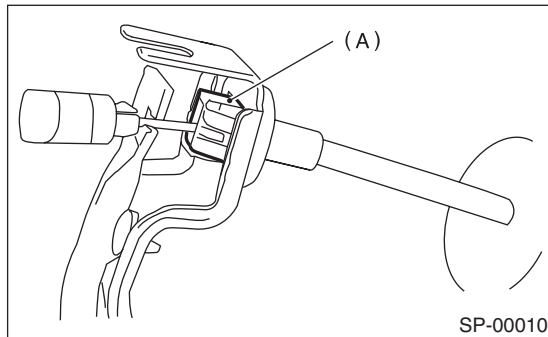
SPEED CONTROL SYSTEMS

10) Disconnect the accelerator cable bushing from accelerator pedal lever.



(A) Flat tip screwdriver

11) Disconnect the accelerator cable stopper (A) from bracket.



12) Separate the accelerator cable and bracket.

B: INSTALLATION

1) Install in the reverse order of removal.

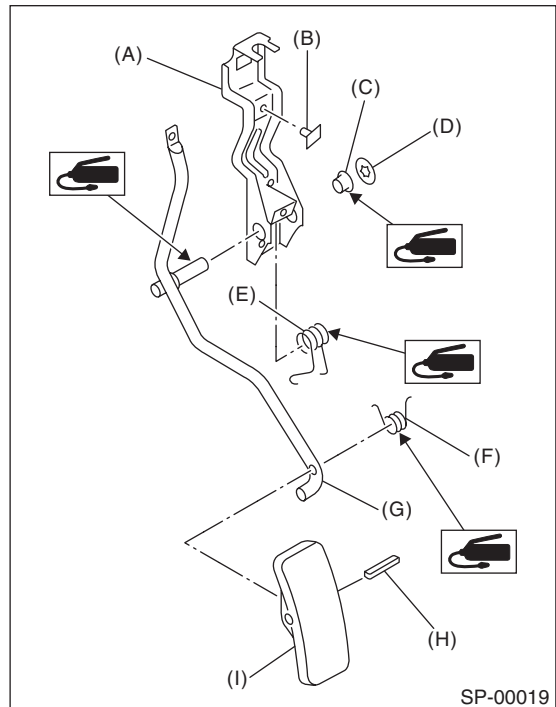
NOTE:

- If the cable clamp is damaged, replace it with a new one.
- Never fail to cover the outer cable end with boot.
- Be careful not to kink the accelerator cable.
- For tightening torque, refer to "COMPONENT". <Ref. to SP(H4SO)-2, COMPONENT, General Description.>

2) After the installation, adjust the pedal. <Ref. to SP(H4SO)-5, ADJUSTMENT, Accelerator Pedal.>

C: DISASSEMBLY

- 1) Remove the clip, and then remove the accelerator pedal lever from bracket.
- 2) Pull out the spring pin, and then remove the accelerator pedal from accelerator pedal lever.



- (A) Accelerator bracket
- (B) Stopper
- (C) Bushing
- (D) Clip
- (E) Accelerator spring
- (F) Accelerator pedal spring
- (G) Accelerator pedal lever
- (H) Spring pin
- (I) Accelerator pedal

D: ASSEMBLY

Assemble in the reverse order of disassembly.

NOTE:

Clean and apply grease to the portions indicated in the figure.

Grease:

SUNLIGHT No. 2 (Part No. 003602010)

E: INSPECTION

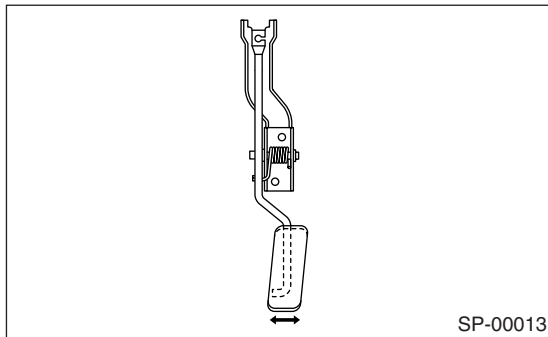
1. ACCELERATOR PEDAL

- 1) Lightly move the pedal pad in lateral direction to ensure that pedal deflection is in specified range.
- 2) If excessive deflection is noted, replace the bushing and clip with new ones.

Deflection of accelerator pedal:

Service limit

2.0 mm (0.079 in) or less



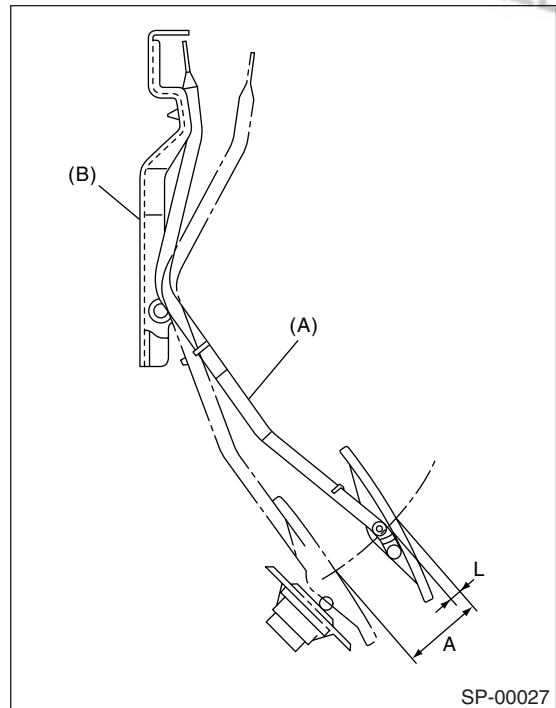
F: ADJUSTMENT

- 1) Check the pedal stroke and free play by operating the accelerator pedal by hand.
- 2) If it is not within specified value, adjust it by turning the nut connecting the accelerator cable to throttle body.

Free play at pedal pad: L

0 — 4 mm (0 — 0.16 in)

Stroke at pedal pad: A
52 — 57 mm (2.05 — 2.24 in)



- (A) Accelerator pedal
- (B) Accelerator pedal bracket

Accelerator cable lock nut tightening torque:
12 N·m (1.2 kgf-m, 9 ft-lb)

3. Accelerator Control Cable

A: REMOVAL

- 1) Remove the accelerator pedal.
<Ref. to SP(H4SO)-3, REMOVAL, Accelerator Pedal.>
- 2) Separate the accelerator cable and accelerator pedal.

B: INSTALLATION

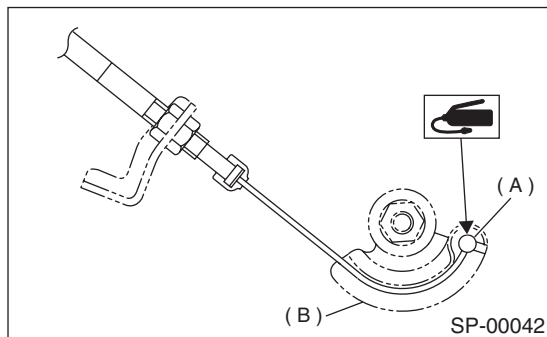
- 1) Install in the reverse order of removal.

NOTE:

- If the cable clamp is damaged, replace it with a new one.
 - Never fail to cover the outer cable end with boot.
 - Be careful not to kink the accelerator cable.
 - Do not apply grease to except specified part.
- 2) Apply grease to engine side accelerator cable end.

Grease:

Silicolube G-30M (Part No. 004404002)



- (A) Accelerator cable end
(B) Throttle cam

- 3) Adjustment after pedal installation. <Ref. to SP(H4SO)-5, ADJUSTMENT, Accelerator Pedal.>

C: INSPECTION

- 1) Make sure the inner cable is not twisted or worn.
- 2) Make sure the outer cable is not cracked.