

Brought to you by Eris Studios
NOT FOR RESALE

EXTERIOR BODY PANELS

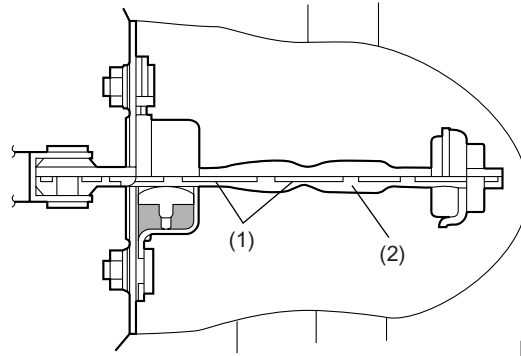
DOOR

EXTERIOR BODY PANELS

1. Door

A: DOOR CHECKER

The door checkers are of a type that uses a molded resin part.



EB-00113

- (1) Sheet metal
- (2) Resin

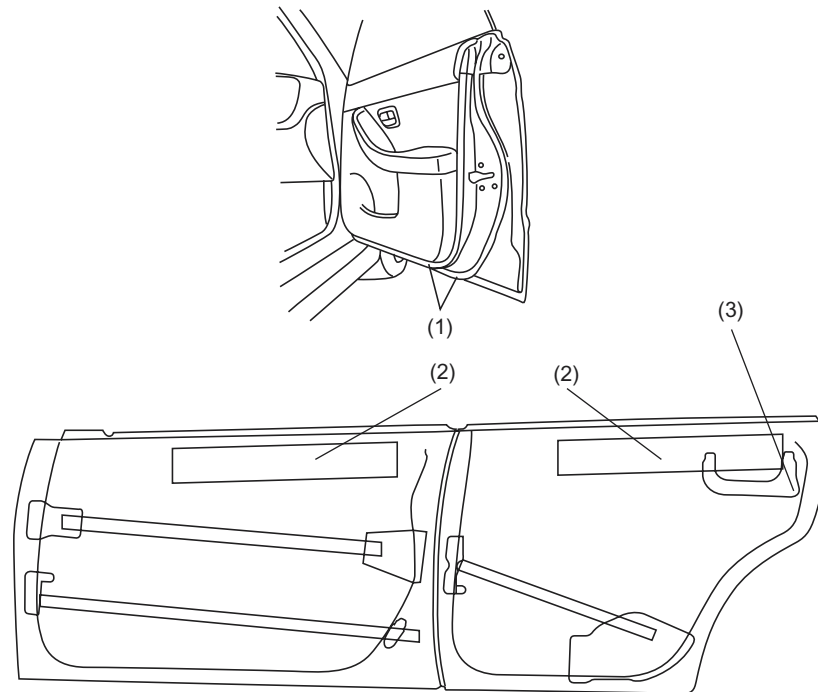
EB-2

DOOR

EXTERIOR BODY PANELS

B: DOOR CONSTRUCTION

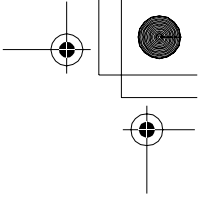
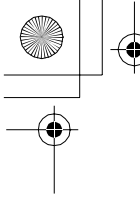
- All the front and rear doors have in their inside a side door beam, window shoulder area reinforcement and a reinforcement latch.
- The dual sealing provided at the bottom of front doors ensure tight closure.



EB-00114

- (1) Dual sealing
- (2) Reinforcement plate
- (3) Outer handle bracket

EB-3

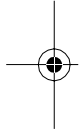


DOOR

EXTERIOR BODY PANELS

MEMO

Brought to you by Eris Studios
NOT FOR REPRODUCTION



EB-4

