

Brought to you by Eris Studios
NOT FOR RESALE

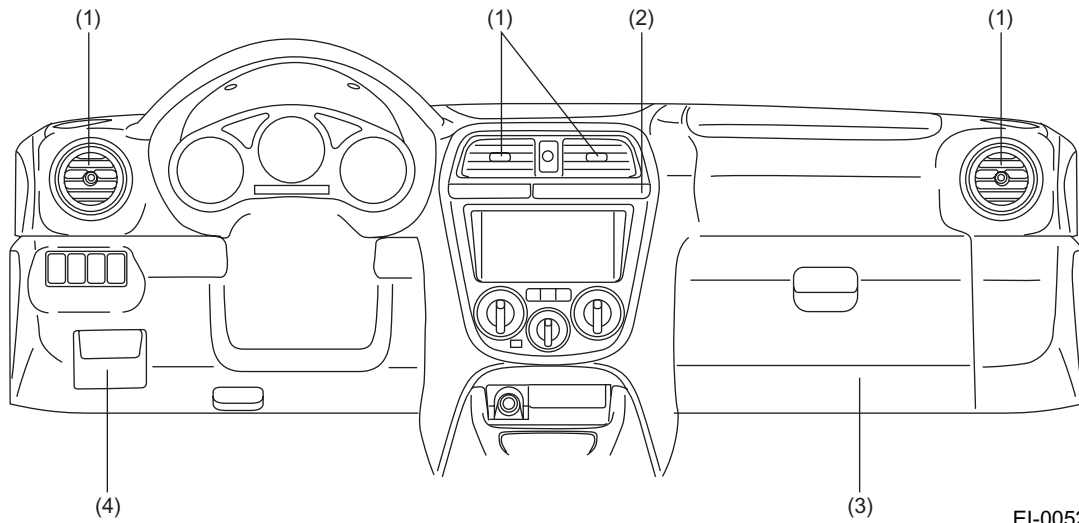
EXTERIOR INTERIOR TRIM

INSTRUMENT PANEL

EXTERIOR/INTERIOR TRIM

1. Instrument Panel

- A cup holder is provided on the dashboard.
- A coin tray is provided.
- The vent grills are barrel type.
- The dashboard lower cover is fitted with a knee cover.



EI-00525

- (1) Barrel type vent grill
(2) Cup holders

- (3) Glove box
(4) Coin tray

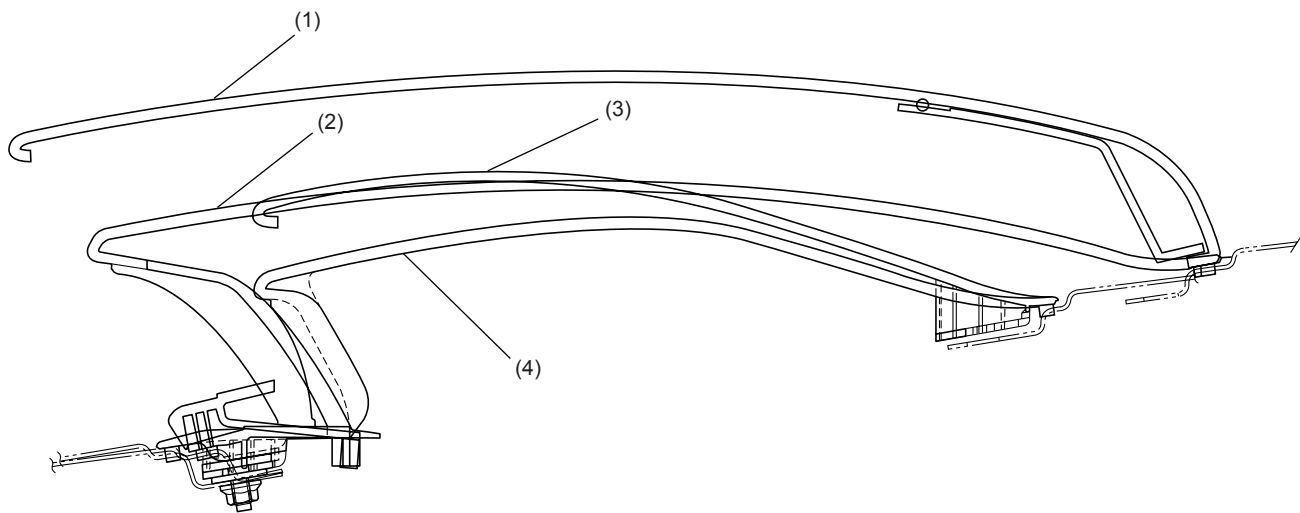
EI-2

FRONT HOOD GRILLE

EXTERIOR/INTERIOR TRIM

2. Front Hood Grille

The opening is widened to enhance the cooling performance of the intercooler.



EI-00527

- (1) New type for STi
- (2) New type for standard models
- (3) Earlier type for STi
- (4) Earlier type for standard models

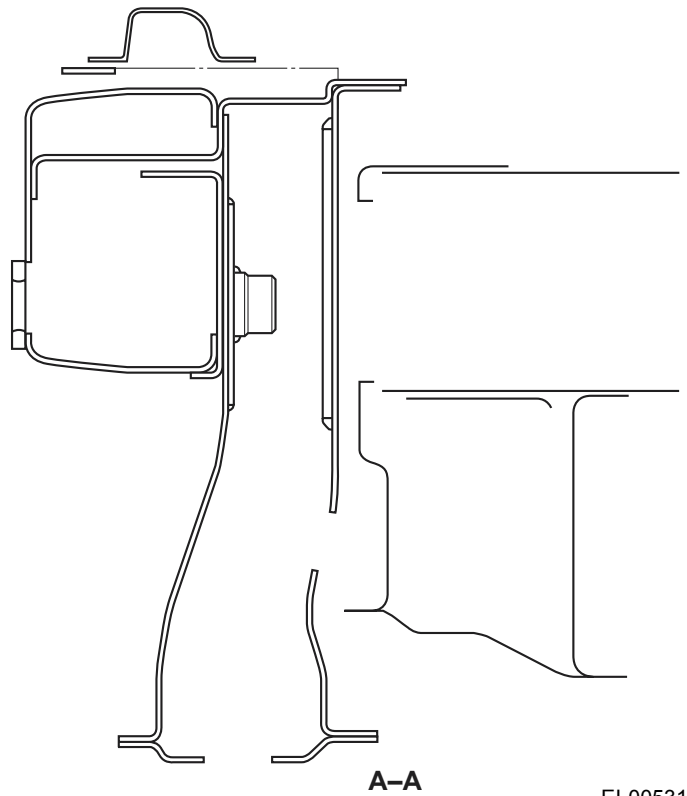
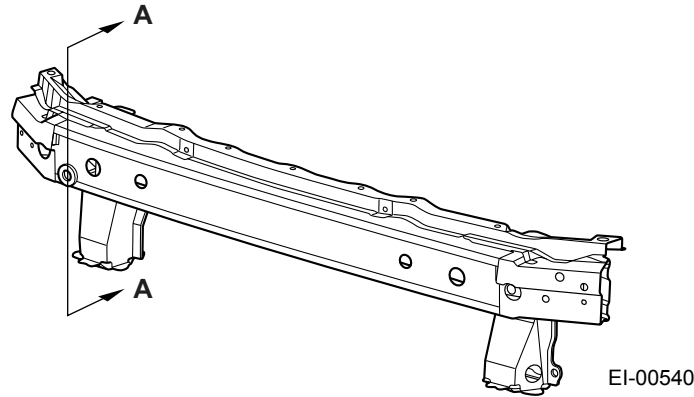
EI-3

FRONT BUMPER BEAM ASSEMBLY

EXTERIOR/INTERIOR TRIM

3. Front Bumper Beam Assembly

A bumper beam assembly is placed inside the front bumper. The beam assembly is fastened to the chassis frame with bolts and nuts and absorbs the shock energy in case of a front collision to enhance safety of the vehicle.



EI-4