

Brought to you by Eris Studios  
NOT FOR RESALE

# SEAT BELT SYSTEM

## SEAT BELT

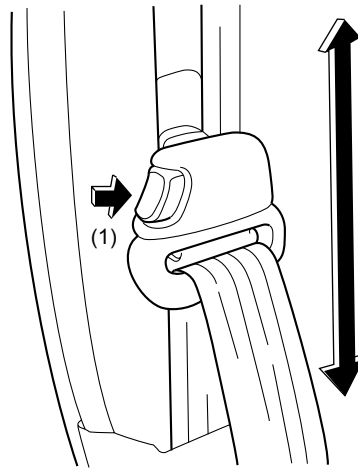
### SEAT BELT SYSTEM

#### 1. Seat Belt

##### A: ADJUSTABLE SHOULDER BELT ANCHOR

###### 1. FRONT

Each front seat belt system has an adjustable shoulder belt anchor which allows the occupant to select the most appropriate anchor height from among the five positions in a 100 mm (3.94 in) range.



SB-00098

(1) Push

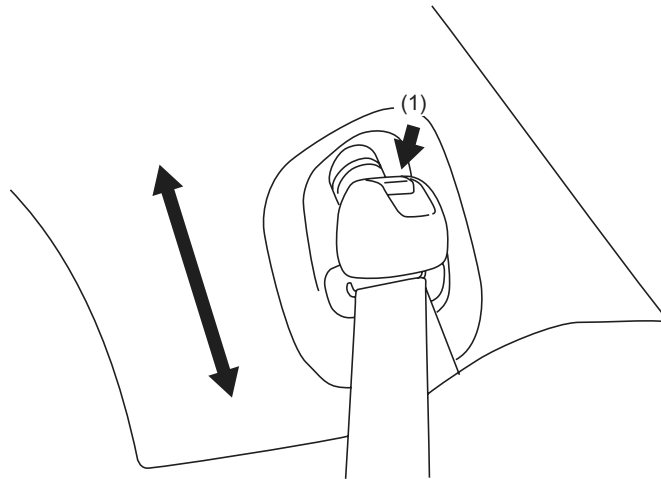
SB-2

## SEAT BELT

SEAT BELT SYSTEM

### 2. REAR

The side rear seat belt system has an adjustable shoulder belt anchor which allows the occupant to select the most appropriate anchor height from among the three positions in a 36 mm (1.4 in) range.



SB-00099

(1) Push

SB-3

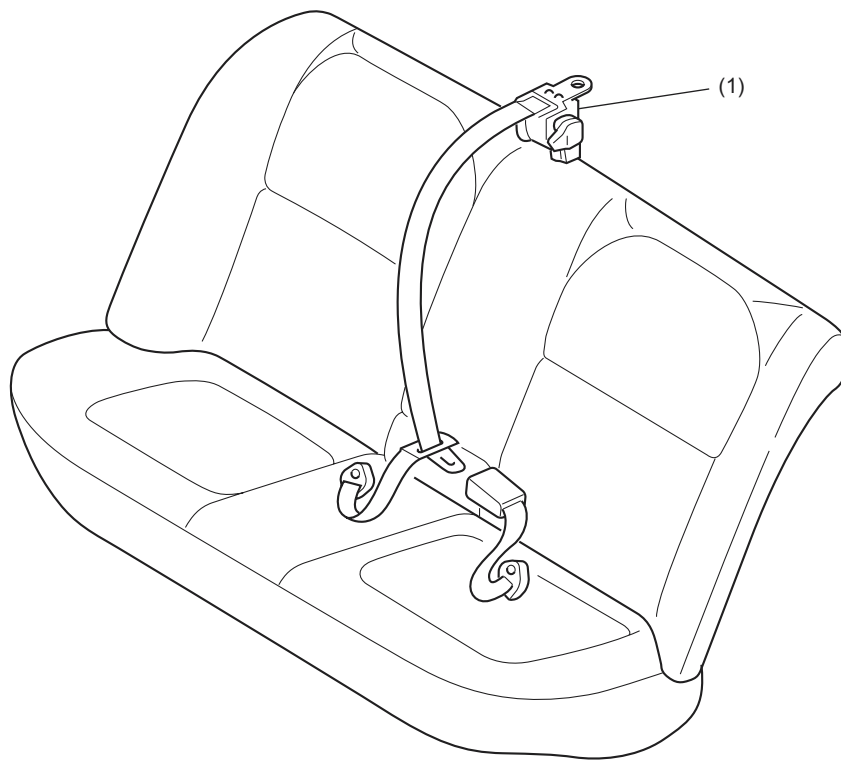
## SEAT BELT

### SEAT BELT SYSTEM

#### **B: REAR CENTER THREE-POINT TYPE SEAT BELT**

##### **1. SEDAN MODELS**

A three-point type seat belt is available for the center seating position of the rear seat. The retractor for the seat belt is installed on the luggage shelf behind the seating position.



SB-00143

(1) Retractor

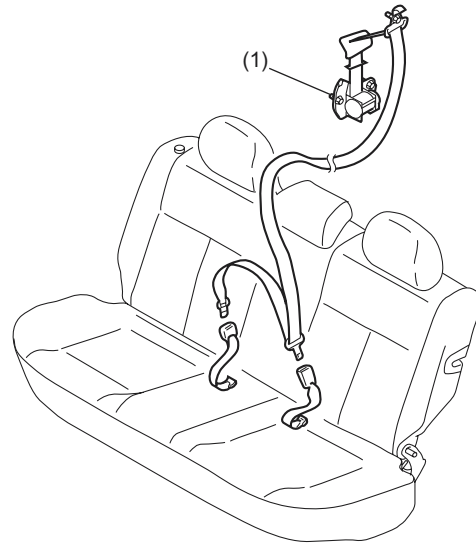
**SB-4**

## SEAT BELT

SEAT BELT SYSTEM

### 2. WAGON MODELS

A three-point type seat belt is available for the center seating position of the rear seat. The retractor is installed inside the right rear quarter panel.



SB-00101

(1) Retractor

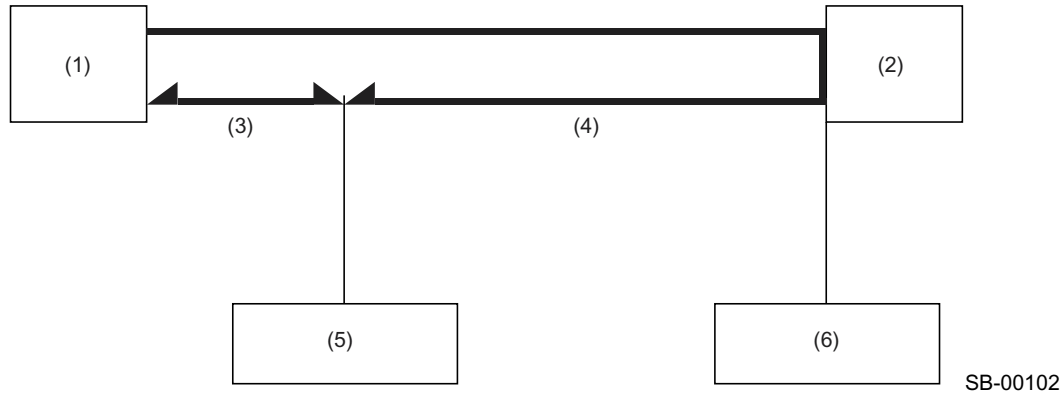
SB-5

## SEAT BELT

### SEAT BELT SYSTEM

#### C: AUTOMATIC RETRACTOR

When the front passenger's seat belt or any of the rear seat belts is drawn out completely, its retractor is placed in the automatic locking mode which is used when installing a child restraint system. In this mode, the belt can be retracted but cannot be extended. When the belt is retracted to a certain length, this mode is cancelled and normal operation is restored.



- (1) Fully retracted
- (2) Fully extended
- (3) Normal mode (belt can be retracted and pulled out)
- (4) Automatic lock mode (belt can be retracted but cannot be pulled out)
- (5) Automatic locking mode to normal mode changeover
- (6) Normal locking mode to automatic locking mode changeover

## SEAT BELT

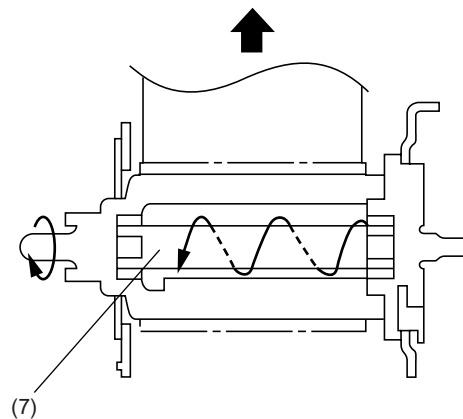
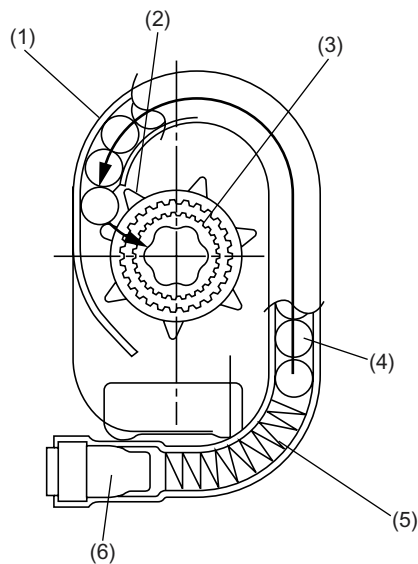
SEAT BELT SYSTEM

### D: PRETENSIONER

#### 1. CONSTRUCTION

The driver's and front passenger's seat belts are equipped with seat belt pretensioners. The pretensioners use the front sub sensors and the airbag control module inside sensors to control their operation. If the sensors detect an impact exceeding the predetermined level during a frontal or front-angled collision, the front seat belts are quickly rewound by the retractors to take up slacks for maximum restraining of the seat occupants. If the load placed on a seat belt exceeds the predetermined level, the torsion bar twists to allow the belt to be pulled out, thus lessening the load imposed on the belt wearer's chest. Once the seat belt pretensioner has been activated, the seat belt retractor remains locked and prevents the seat belt from being pulled out.

The gas generator is activated.  
The generated gas pushes the steel balls.  
Moving steel balls cause the ring gear to rotate.



SB-00103

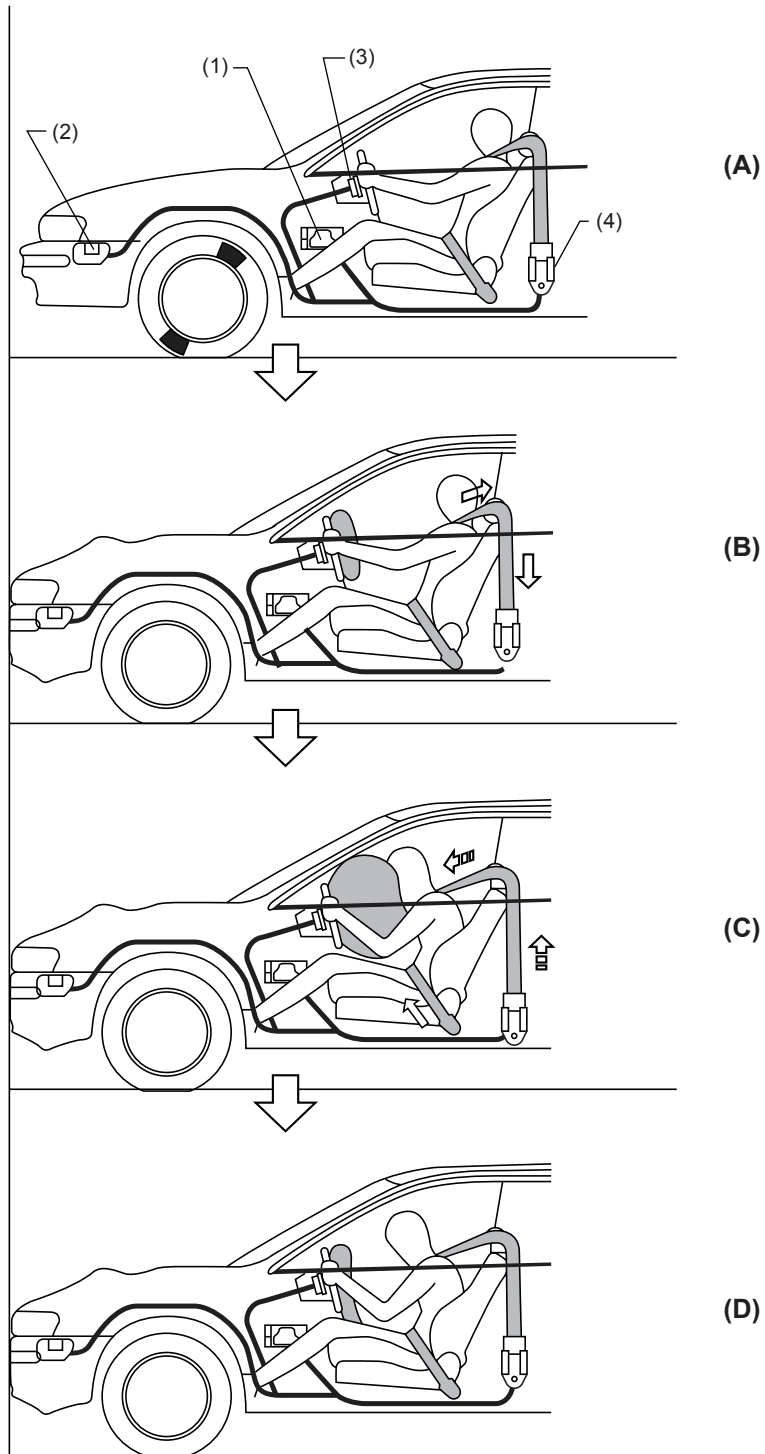
- |                |                   |
|----------------|-------------------|
| (1) Tube       | (5) Spring        |
| (2) Ring gear  | (6) Gas generator |
| (3) Pinion     | (7) Torsion bar   |
| (4) Steel ball |                   |

SB-7

# SEAT BELT

## SEAT BELT SYSTEM

### 2. FUNCTION



SB-00105

SB-8



## SEAT BELT

### SEAT BELT SYSTEM

- (A) • Collision occurs
- (B) • Front sub sensor, electric sensor and safety sensor detect an impact greater than the set level.
  - Operation of pretensioner
  - Airbags start to inflate
- (C) • Load limiter operates
- (D) • Operation complete
  - (1) Safety sensor and electric sensor
  - (2) Front sub sensor
  - (3) Air bag
  - (4) Retractor with pretensioner

SB-9

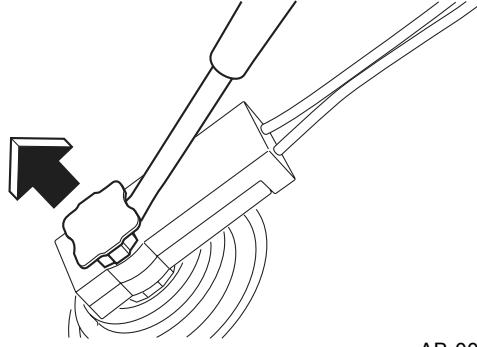
## SEAT BELT

### SEAT BELT SYSTEM

#### 3. PRETENSIONER CONNECTOR

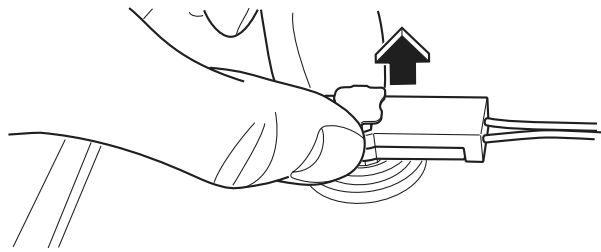
##### Disconnection:

- 1) Lift the lock button using a thin tipped tool like a miniature screwdriver.



AB-00529

- 2) Pull the connector out from the connection point.



AB-00528

##### Connection:

Carefully insert the connector into the connection point. Push the connector until a “click” is heard from the lock button.

SB-10