

Brought to you by Eris Studios  
NOT FOR RESALE

# **STARTING/CHARGING SYSTEMS H4SO**

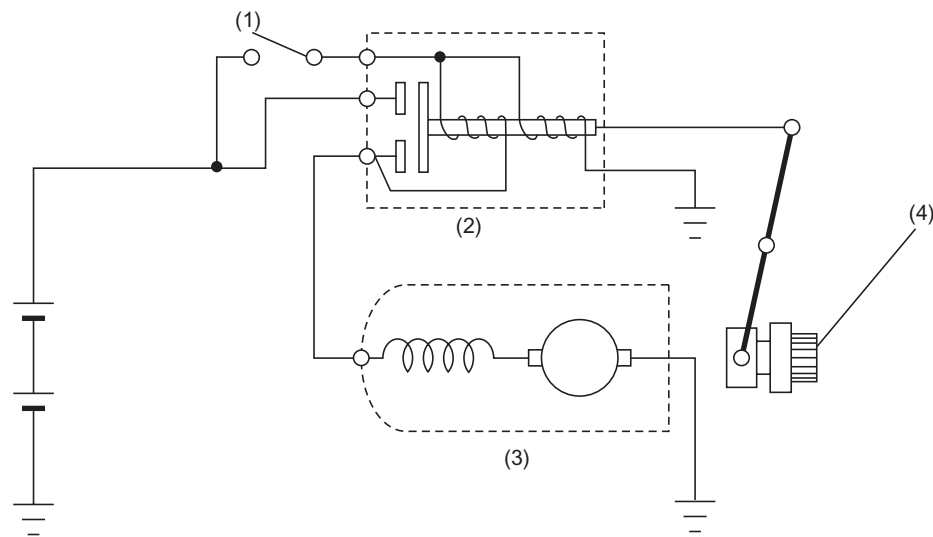
# STARTER

## STARTING/CHARGING

### 1. Starter

The starter is of a reduction type. Its output is as shown below.

Displacement	Output kW	
	MT	AT
2.0 L	1.0	1.4
2.5 L	1.0	1.4



SC-00056

- (1) Starter switch
- (2) Magnet switch
- (3) Starter
- (4) Pinion

SC(H4SO)-2

## GENERATOR

STARTING/CHARGING

### 2. Generator

The generator has a built-in regulator which provides diagnostic functions in addition to a voltage regulating function as follows:

1) Voltage regulation

The on-off operation of transistor connects and disconnects the field current circuit, providing a constant level of output voltage.

2) Diagnosis warning

When any of the following problems occur, the charge lamp illuminates.

(1) No voltage generation

Brush wear exceeds specified wear limits, field coil circuit is broken, etc.

(2) Excessive output

Output voltage is greater than (approx) 16 volts.

(3) Terminal B disconnection

Harness is disconnected from generator terminal B.

(4) Terminal S disconnection

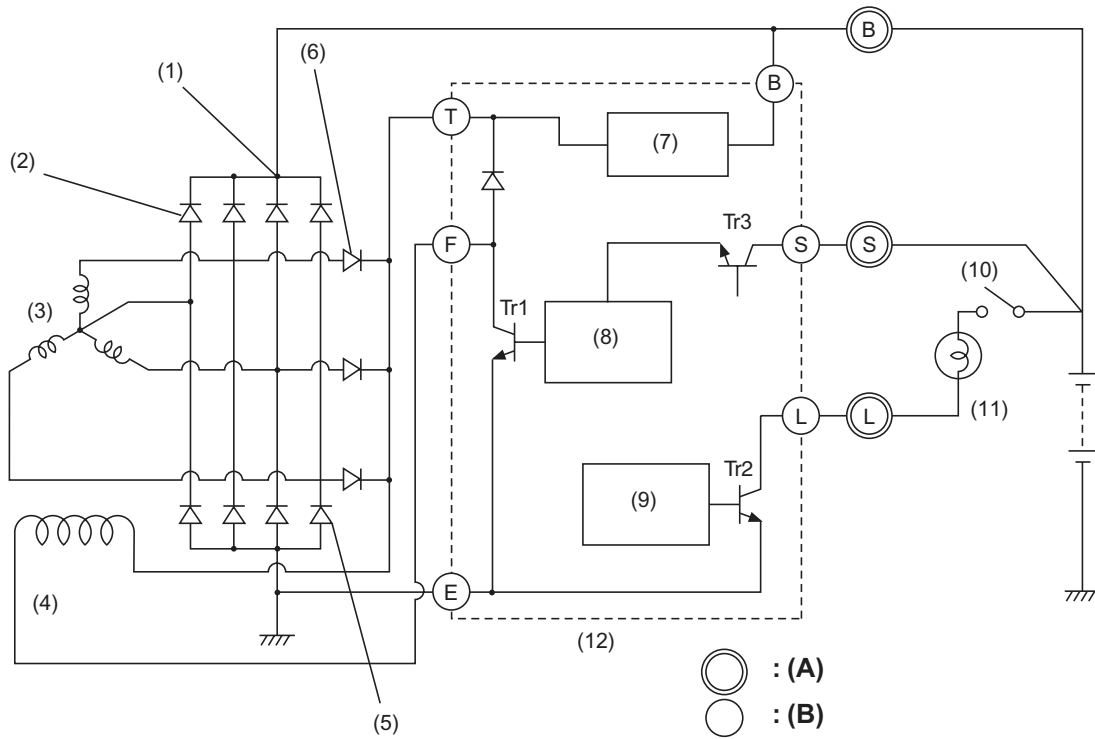
Harness is disconnected from generator terminal S. In this case, voltage is slightly greater than specified regulated voltage; however, voltage regulation is still controlled and the battery is prevented from becoming overcharged.

SC(H4SO)-3

# GENERATOR

## STARTING/CHARGING

Brought to you by Eris Studios  
NOT FOR RESALE



SC-00057

- |                                   |                                    |                               |
|-----------------------------------|------------------------------------|-------------------------------|
| (1) Positive side diodes (3 pcs.) | (7) Energizing circuit             | <b>(A)</b> Generator terminal |
| (2) Additional diodes (2 pcs.)    | (8) Constant voltage circuit       | <b>(B)</b> Regulator terminal |
| (3) Stator coil                   | (9) Diagnostic and warning circuit |                               |
| (4) Field coil                    | (10) Ignition switch               |                               |
| (5) Negative side diodes (3 pcs.) | (11) Charge light                  |                               |
| (6) Trio diodes (3 pcs.)          | (12) IC regulator                  |                               |

## SC(H4SO)-4

## BATTERY

STARTING/CHARGING

### 3. Battery

The battery is located in the left front part of the engine compartment. It is held on a tray by the battery holder.

SC(H4SO)-5

# BATTERY

STARTING/CHARGING

---

MEMO

Brought to you by Eris Studios  
NOT FOR RES

SC(H4SO)-6