

Brought to you by Eris Studios  
NOT FOR RESALE

# SECURITY AND LOCKS

## IGNITION SWITCH

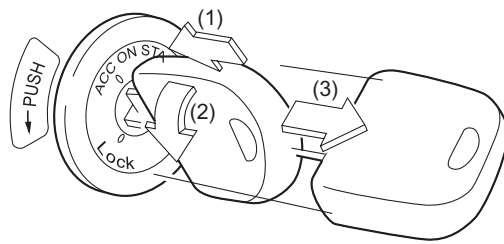
### SECURITY AND LOCKS

## 1. Ignition Switch

### A: GENERAL

#### 1. IGNITION SWITCH

- The ignition switches on the MT models have a safety mechanism that prevents inadvertent locking of the steering wheel during driving. The driver cannot turn the ignition key from “ACC” to “LOCK” unless the key is pushed inward at the “ACC” position (arrow 1 in the drawing below).

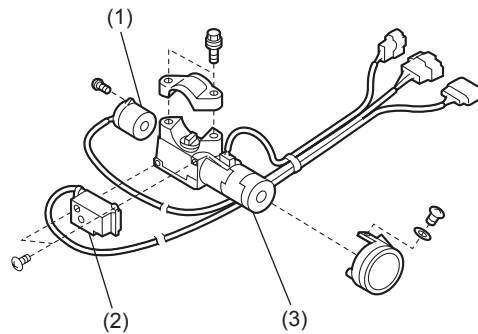


SL-00031

- The ignition switches on the AT models have a key interlock mechanism to avoid locking of the steering wheel during driving. The ignition key can be turned to the “LOCK” position only when the select lever is in the P position.

#### NOTE:

Should the key be impossible to turn to “LOCK” when the select lever is in the P position due to failure of the key interlock mechanism, the interlocking can be cancelled by operating the release lever located on the underside of the steering column.



SL-00032

- (1) Ignition switch
- (2) Key interlock solenoid (AT)
- (3) Ignition key cylinder

#### 2. KEY REMINDER CHIME

The reminder chime sounds when the driver’s door opens and the ignition key is in the “LOCK” or “ACC” position. The chime stops when the key is removed from the ignition switch.

#### 3. IGNITION SWITCH ILLUMINATION

The ignition switch illumination turns off 10 seconds after the driver’s door is closed. The integrated module controls the off delay function.

## POWER DOOR LOCK

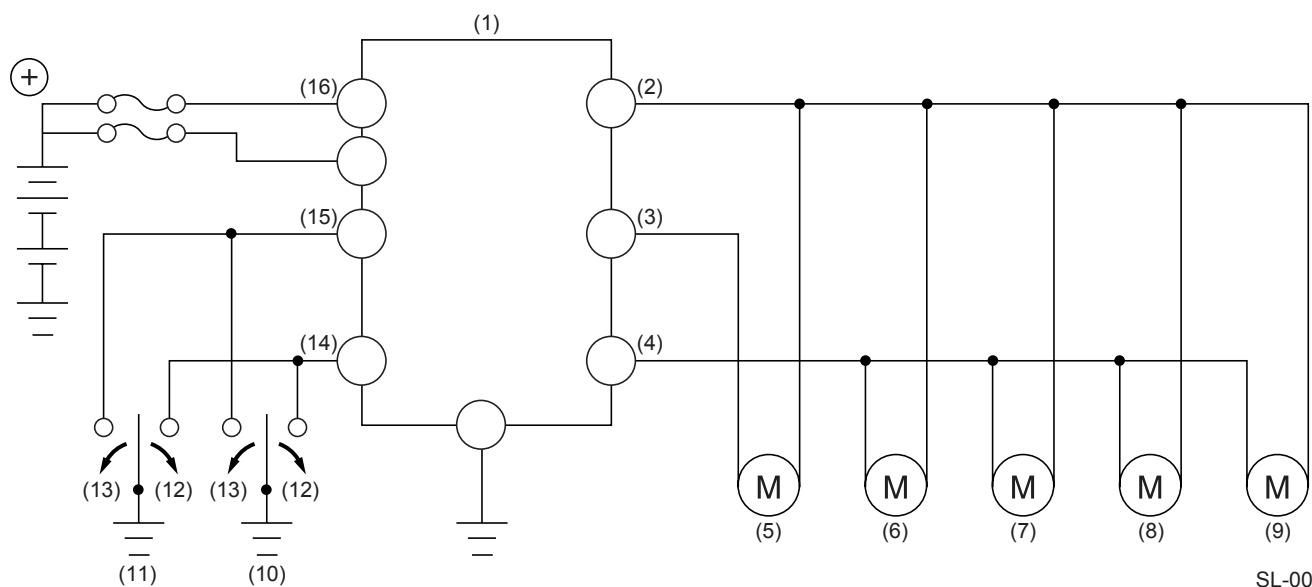
SECURITY AND LOCKS

### 2. Power Door Lock

#### A: CONSTRUCTION

- The power door lock system consists of an integrated module, driver's and front passenger's door lock switches, front door lock actuators, rear door lock actuators, and a rear gate lock actuator.
- When the driver's/front passenger's door is locked or unlocked using the door lock switch, the other doors and the rear gate are also locked or unlocked automatically.

#### B: SCHEMATIC DRAWINGS



SL-00033

- |  |   |                    |
|--|---|--------------------|
| (1) Integrated module                    | (7) Rear LH actuator                    | (13) Locked        |
| (2) Lock output                          | (8) Rear RH actuator                    | (14) Unlock switch |
| (3) Unlock output (driver's door)        | (9) Rear gate lock actuator             | (15) Lock switch   |
| (4) Unlock output (except driver's door) | (10) Front passenger's door lock switch | (16) Battery       |
| (5) Front LH actuator                    | (11) Driver's door lock switch          |                    |
| (6) Front RH actuator                    | (12) Unlock                             |                    |

SL-3

## KEYLESS ENTRY SYSTEM

### SECURITY AND LOCKS

## 3. Keyless Entry System

### A: CONSTRUCTION

- The keyless entry system consists of a transmitter, keyless entry control module (with a built-in antenna), integrated module, door lock actuators, door switches, horn, buzzer, and interior light.
- The keyless entry system operates on a radio frequency, so its transmitter can be used in almost all directions relative to the vehicle.

### B: FUNCTION

#### 1. DOOR LOCKING

- 1) Push the transmitter's LOCK button once.
- 2) All doors are locked.
- 3) Check that the buzzer sounds once and the hazard warning lights flash once.

#### 2. DOOR UNLOCKING (DRIVER'S DOOR)

- 1) Push the transmitter's UNLOCK button once.
- 2) The driver's door is unlocked and the interior light turns ON (when the interior light switch is set at the DOOR position).

#### NOTE:

The interior light illuminates for 30 seconds and then goes out. (However, if a door locking procedure is performed again during this period, the lights will go out immediately.)

- 3) Check that the buzzer sounds twice and the hazard warning lights flash twice.

#### 3. DOOR UNLOCKING (ALL DOORS)

- 1) Push the transmitter's UNLOCK button 2 times within 5 seconds.
- 2) All doors are unlocked.
- 3) Check that the buzzer sounds twice and the hazard warning lights flash twice.

#### 4. SELF POSITION DETECTION FUNCTION

- 1) Push the transmitter's UNLOCK button 3 times within 5 seconds.
- 2) Check that the horn sounds once and the hazard warning lights flash 3 times.

#### 5. PANIC ALARM SETTING

- 1) Push the transmitter's UNLOCK button for more than 2 seconds.
- 2) The horn sounds continuously and the hazard warning lights will flash. To stop the horn, push any button on the transmitter.

#### 6. ANSWER BACK (BUZZER SIGNALING) ON/OFF SELECTION

- 1) Push the transmitter's UNLOCK button.
- 2) Push the transmitter's LOCK and UNLOCK buttons simultaneously for more than 2 seconds to activate the answer back function and push them again to deactivate it.
- 3) When the answer back function is activated, the buzzer will sound once and the hazard warning lights flash once. When it is deactivated, the buzzer will sound twice and the hazard warning lights flash twice.

## KEYLESS ENTRY SYSTEM

SECURITY AND LOCKS

### 7. DOOR OPEN WARNING FUNCTION

The buzzer sounds five times and the hazard warning lights flash five times if the transmitter's LOCK button is pressed with any door or the rear gate open.

SL-5

## SECURITY SYSTEM

### SECURITY AND LOCKS

## 4. Security System

### A: FEATURES

- The security system protects the vehicle from a theft action (unauthorized entry into the vehicle). Upon detection of such an action, it gives audible and visible alarms by causing the horn to sound and the hazard warning lights to flash. It also immobilizes the vehicle by disabling the starter circuit.
- Unauthorized entry is monitored through the switches on the doors, rear gate and trunk lid. If one of the switches is turned ON, the system interprets it as an attempt of unauthorized entry and gives alarms while disabling the starter circuit.
- Unauthorized entry is also monitored by the impact sensor. The system operates in the same manner as mentioned above whenever the sensor senses an abnormal impact on the vehicle.

#### 1. WARNING

- When activated, the security system causes the hazard warning lights to flash and the horn to sound intermittently. In addition, the security indicator light on combination meter flashes fast and the starter motor circuit is disabled.
- The alarms automatically turn OFF after 30 seconds. However, they will be reactivated if the vehicle is tampered with again.
- The alarms are activated when a door, rear gate or trunk lid is opened without using the keyless entry transmitter. (When the system is armed, a warning is given even if a door is opened by operating the inner door handle.)
- The alarms are also activated when an impact on vehicle body is sensed.

#### 2. HOW TO ARM THE SYSTEM

- 1) Remove the key from the ignition switch.
- 2) Close all the windows. Close and all doors, rear gate, and the trunk lid.
- 3) Push the transmitter's LOCK button.
- 4) The buzzer will sound once and the hazard warning lights flash once.

#### NOTE:

The system can be armed even if the windows are open.

- 5) Confirm that the security indicator light blinks slowly (once every two seconds). If any of the doors or the rear gate is not properly closed, the system warns the driver of this by causing the buzzer to sound five times, the hazard warning lights to flash five times, and the security indicator to flash rapidly. When the door, rear gate or trunk lid is closed, it will be automatically locked and the security system starts working. The indicator light blinks every 2 seconds when the system is armed and continues to blink until the system is disarmed.

#### 3. HOW TO DISARM THE SYSTEM

- 1) Push keyless entry transmitter's UNLOCK button.
- 2) The buzzer will sound twice and the hazard warning lights flash twice.
- 3) The security indicator light turns OFF.
- 4) The interior light will illuminate for 30 seconds and then turns OFF. (However, if a system arming procedure is performed during this period, the interior light will turn OFF.)

SL-6

## SECURITY SYSTEM

SECURITY AND LOCKS

### 4. HOW TO STOP ALARMS

Push the transmitter's UNLOCK button or turn the ignition switch from "LOCK" to "ON" repeatedly 3 times at an interval shorter than 5 seconds.

SL-7

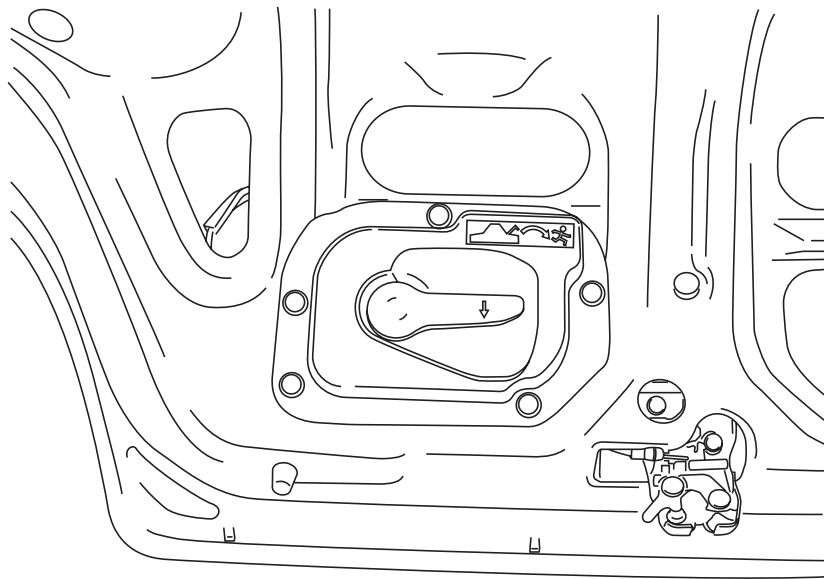
## TRUNK LID RELEASE HANDLE

### SECURITY AND LOCKS

## 5. Trunk Lid Release Handle

### A: GENERAL

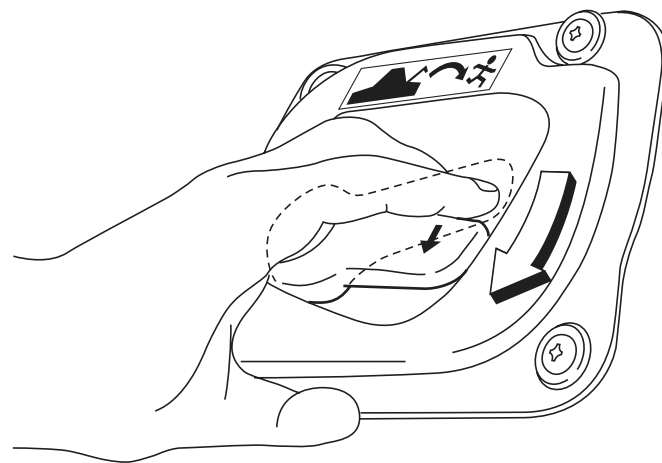
- The trunk lid release handle is a device designed to open the trunk lid from inside the trunk.
- In the event children or adults become locked inside the trunk, the handle allows them to open the lid.
- The handle is located on the inside of the trunk lid.
- The handle is made of material that remains luminescent for approximately an hour in the dark trunk space after it is exposed to ambient light event for a short time.



SL-00168

### B: OPERATION

To open the trunk lid from inside the trunk, press the yellow handle downward as indicated by the arrow on the handle, this operation unlocks the trunk lid. Then push up the lid.



SL-00169

SL-8