

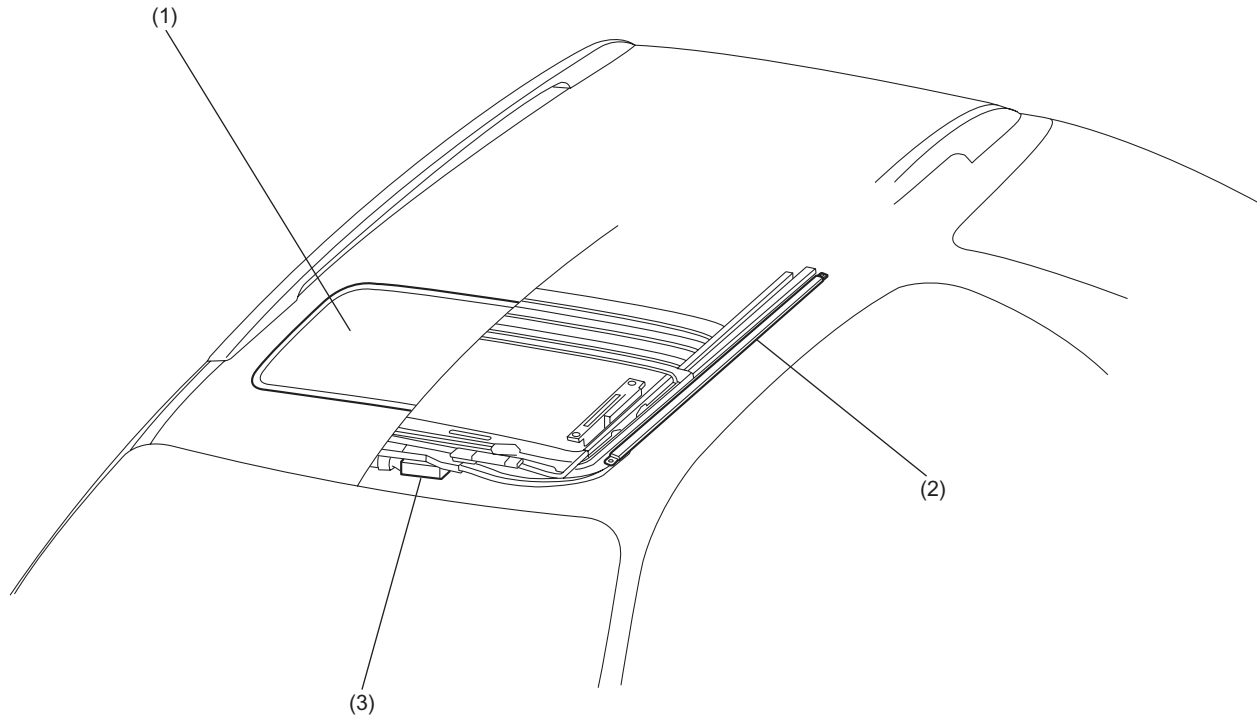
Brought to you by Eris Studios
NOT FOR RESALE

**SUNROOF
T-TOP CONVERTIBLE TOP
(SUNROOF)**

SUNROOF

SUNROOF/T-TOP/CONVERTIBLE TOP

1. Sunroof A: GENERAL



SR-00073

- (1) Glass lid
- (2) Frame
- (3) Motor

The sunroof has both tilting and sliding mechanisms. The tilting mechanism raises or lowers the rear of the glass lid when the tilt switch is operated; the sliding mechanism moves the lid backward to open or forward to close when the OPEN/CLOSE switch is operated.

The sunroof has the following features:

- Reduced thickness of the sunroof provides extra overhead clearance in the passenger compartment.
- Extensive use of aluminum die castings for sunroof components contributes to reduction in weight.

SR-2

SUNROOF

SUNROOF/T-TOP/CONVERTIBLE TOP

B: FUNCTION

1. SUNROOF TILTING AND SLIDING OPERATION

- With the sunroof fully closed, pushing the rear side of the tilt switch causes the rear end of the sunroof lid to rise by 50 mm (1.97 in). Pushing then the front side of the switch causes the lid to lower to the original position.

- Pushing the OPEN/CLOSE switch rearward causes the sunroof lid to slide rearward and open. Pushing the switch forward causes the glass lid to move forward and stop at a point 150 mm (5.91 in) before the fully closed position. Pushing the switch again closes the lid completely.

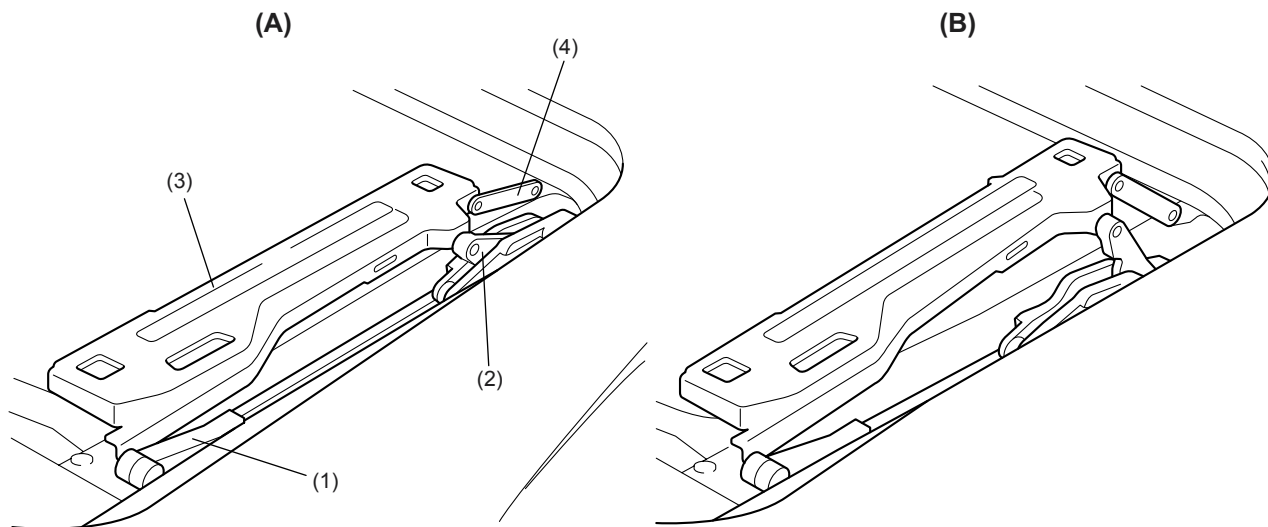
2. SUNSHADE OPERATION

- The sun shade can be opened or closed manually when the sunroof is closed.
- The sun shade, if closed, moves rearward together with the glass lid when the OPEN side of the OPEN/CLOSE switch is pushed.

C: SLIDING AND TILTING MECHANISMS

The motor installed at the front of the sunroof frame rotates a pinion gear to move the drive wire.

This opens, closes, tilts up or tilts down the glass lid by way of the rear guide connected to the drive wire.



SR-00042

- (A) Fully closed position
 (B) Tilted up position
 (1) Front guide
 (2) Rear guide
 (3) Lid bracket
 (4) Link

SR-3

SUNROOF

SUNROOF/T-TOP/CONVERTIBLE TOP

MEMO

Brought to you by Eris Studios
NOT FOR REPRODUCTION

SR-4