

Brought to you by Eris Studios
NOT FOR RESALE

EMISSION CONTROL

(AUX. EMISSION CONTROL DEVICES)

GENERAL DESCRIPTION

EMISSION CONTROL (AUX. EMISSION CONTROL DEVICES)

1. General Description

A: CAUTION

- Wear working clothing, including a cap, protective goggles, and protective shoes during operation.
- Remove contamination including dirt and corrosion before removal, installation or disassembly.
- Keep the disassembled parts in order and protect them from dust or dirt.
- Before removal, installation or disassembly, be sure to clarify the failure. Avoid unnecessary removal, installation, disassembly, and replacement.
- Be careful not to burn your hands, because each part on the vehicle is hot after running.
- Be sure to tighten fasteners including bolts and nuts to the specified torque.
- Place shop jacks or safety stands at the specified points.
- Before disconnecting electrical connectors of sensors or units, be sure to disconnect the negative terminal from battery.

FRONT CATALYTIC CONVERTER

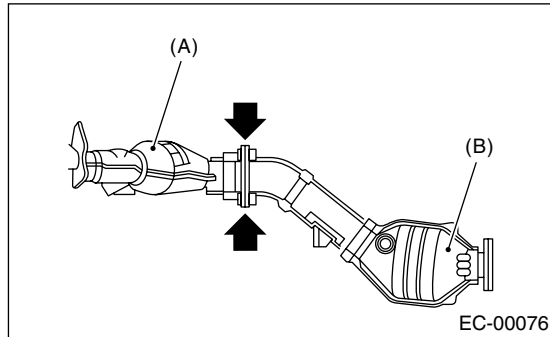
EMISSION CONTROL (AUX. EMISSION CONTROL DEVICES)

2. Front Catalytic Converter

A: REMOVAL

1) Remove the center exhaust pipe. <Ref. to EX(H4DOTC)-8, REMOVAL, Center Exhaust Pipe.>

2) Separate the front catalytic converter (A) from rear catalytic converter (B).



B: INSTALLATION

NOTE:

- Replace the gaskets with new ones.
- Install in the reverse order of removal.

C: INSPECTION

- 1) Make sure there are no exhaust leaks from connections and welds.
- 2) Make sure there are no holes or rusting.

REAR CATALYTIC CONVERTER

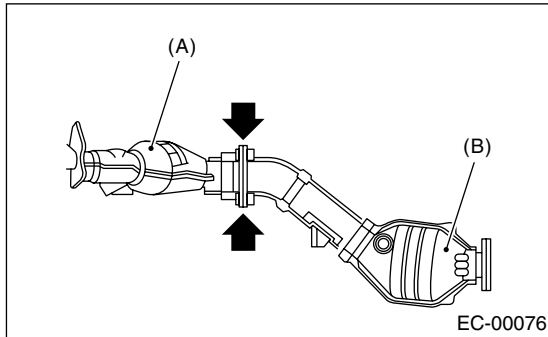
EMISSION CONTROL (AUX. EMISSION CONTROL DEVICES)

3. Rear Catalytic Converter

A: REMOVAL

1) Remove the center exhaust pipe. <Ref. to EX(H4DOTC)-8, REMOVAL, Center Exhaust Pipe.>

2) Separate the rear catalytic converter (B) from front catalytic converter (A).



B: INSTALLATION

NOTE:

- Replace the gaskets with new ones.
- Install in the reverse order of removal.

C: INSPECTION

- 1) Make sure there are no exhaust leaks from connections and welds.
- 2) Make sure there are no holes or rusting.

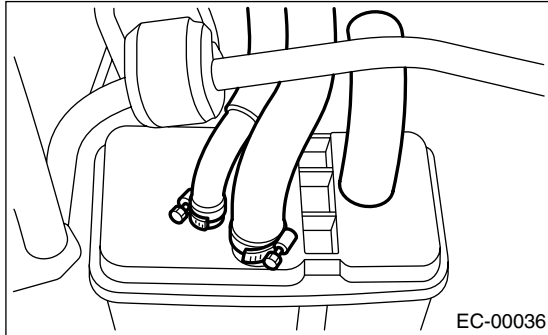
CANISTER

EMISSION CONTROL (AUX. EMISSION CONTROL DEVICES)

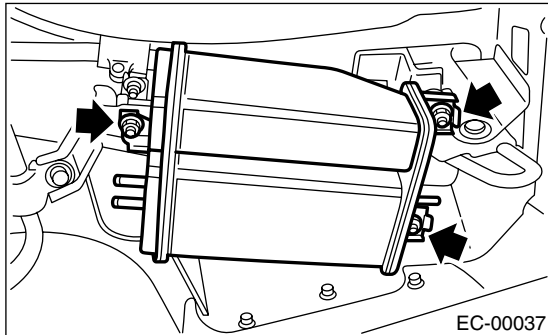
4. Canister

A: REMOVAL

- 1) Lift-up the vehicle.
- 2) Loosen the two clamps which hold two canister hoses, and disconnect the evaporation three hoses from canister.



- 3) Remove the canister from body.

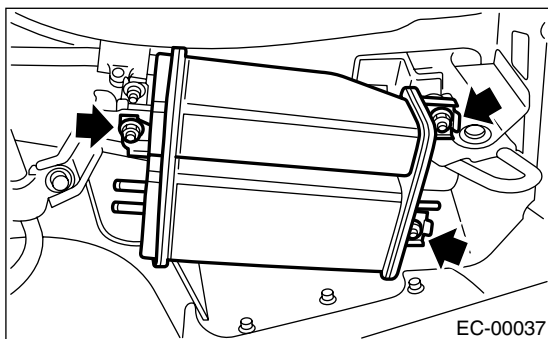


B: INSTALLATION

Install in the reverse order of removal.

Tightening torque:

23 N·m (2.3 kgf-m, 17 ft-lb)



C: INSPECTION

Make sure the canister and canister hoses are not cracked or loose.

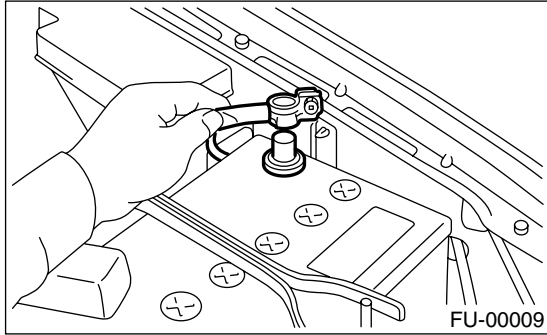
PURGE CONTROL SOLENOID VALVE

EMISSION CONTROL (AUX. EMISSION CONTROL DEVICES)

5. Purge Control Solenoid Valve

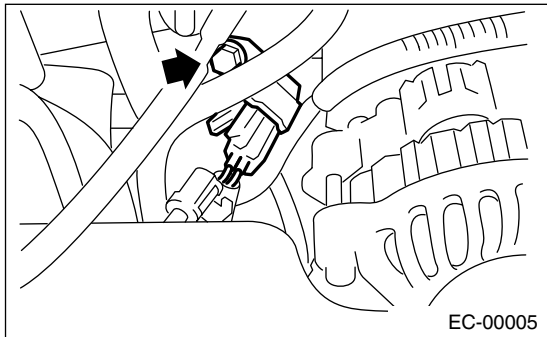
A: REMOVAL

1) Disconnect the ground terminal from battery.



2) Disconnect the connector and hoses from purge control solenoid valve.

3) Remove the bolt which installs the purge control solenoid valve onto intake manifold.

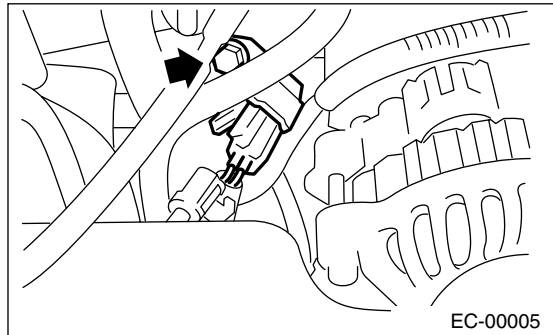


B: INSTALLATION

Install in the reverse order of removal.

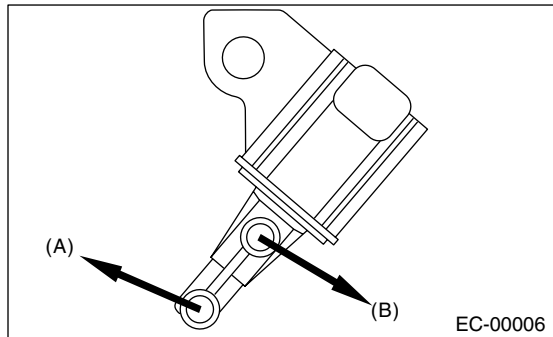
Tightening torque:

16 N·m (1.6 kgf-m, 11.6 ft-lb)



NOTE:

Connect the evaporation hoses as shown in the figure.



(A) To purge value

(B) To intake manifold

C: INSPECTION

Make sure the hoses are not cracked or loose.

MAIN FUEL LEVEL SENSOR

EMISSION CONTROL (AUX. EMISSION CONTROL DEVICES)

6. Main Fuel Level Sensor

A: REMOVAL

For work procedures, refer to FU(STi) section.
<Ref. to FU(STi)-57, REMOVAL, Fuel Level Sensor.>

B: INSTALLATION

For work procedures, refer to FU(STi) section.
<Ref. to FU(STi)-57, INSTALLATION, Fuel Level Sensor.>

FUEL TEMPERATURE SENSOR

EMISSION CONTROL (AUX. EMISSION CONTROL DEVICES)

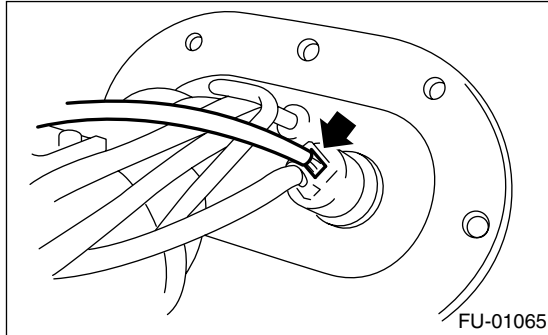
7. Fuel Temperature Sensor

A: REMOVAL

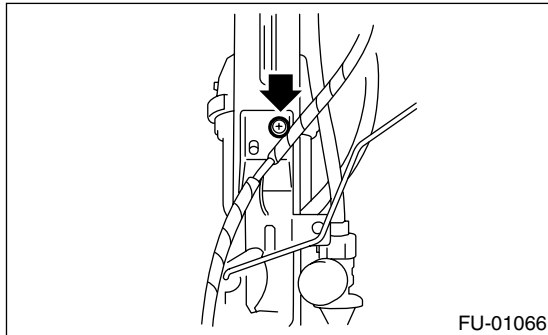
WARNING:

- Place “NO FIRE” signs near the working area.
- Be careful not to spill fuel.

- 1) Remove the fuel pump assembly. <Ref. to FU(STi)-54, REMOVAL, Fuel Pump.>
- 2) Disconnect the connector from fuel pump bracket.



- 3) Remove the main fuel level sensor from fuel pump assembly. <Ref. to FU(STi)-57, REMOVAL, Fuel Level Sensor.>



NOTE:

Fuel temperature sensor is a unit with the fuel pump. If replacing it, replace as a fuel pump.

B: INSTALLATION

Install in the reverse order of removal.

FUEL SUB LEVEL SENSOR

EMISSION CONTROL (AUX. EMISSION CONTROL DEVICES)

8. Fuel Sub Level Sensor

A: REMOVAL

For work procedures, refer to FU(STi) section.
<Ref. to FU(STi)-58, REMOVAL, Fuel Sub Level Sensor.>

B: INSTALLATION

For work procedures, refer to FU(STi) section.
<Ref. to FU(STi)-59, INSTALLATION, Fuel Sub Level Sensor.>

FUEL TANK PRESSURE SENSOR

EMISSION CONTROL (AUX. EMISSION CONTROL DEVICES)

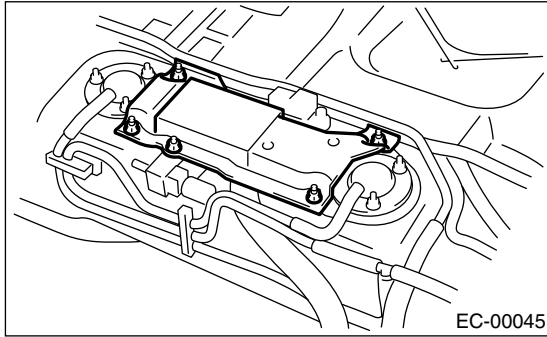
9. Fuel Tank Pressure Sensor

A: REMOVAL

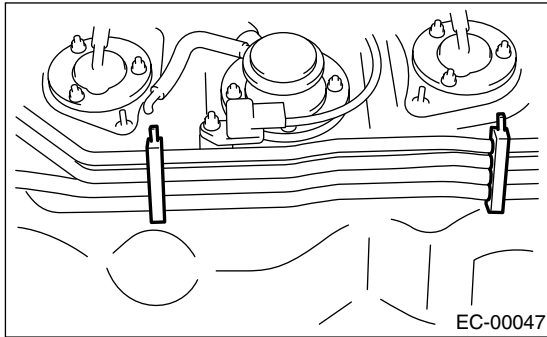
WARNING:

- Place “NO FIRE” signs near the working area.
- Be careful not to spill fuel.

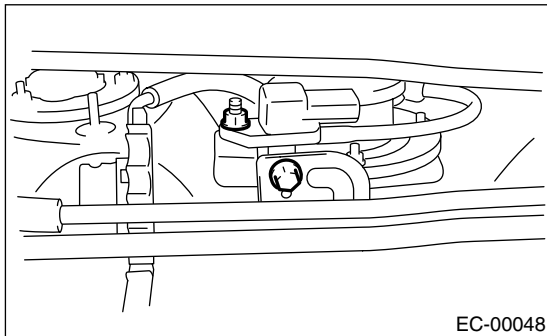
- 1) Remove the fuel tank. <Ref. to FU(STi)-46, REMOVAL, Fuel Tank.>
- 2) Remove the protector cover.



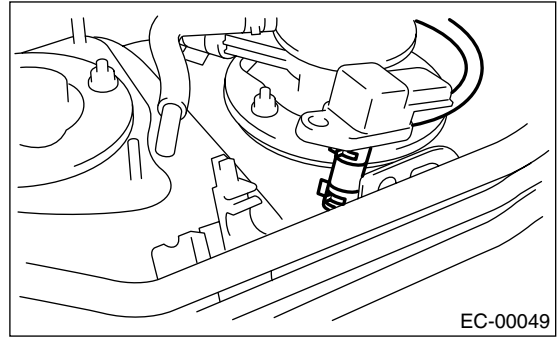
- 3) Disconnect the connector from fuel pressure sensor.
- 4) Release the clips which hold fuel pipes onto fuel tank.



- 5) Remove the bolt and nut which hold the fuel tank pressure sensor onto the bracket.



- 6) Disconnect the pressure hose from fuel tank pressure sensor.

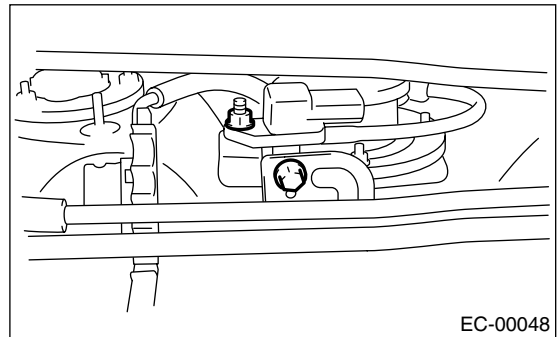


B: INSTALLATION

Install in the reverse order of removal.

Tightening torque:

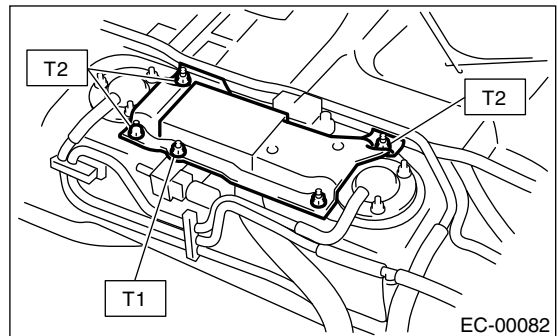
7.4 N·m (0.75 kgf·m, 5.4 ft·lb)



Tightening torque:

T1: 7.4 N·m (0.75 kgf·m, 5.4 ft·lb)

T2: 4.4 N·m (0.45 kgf·m, 3.3 ft·lb)



C: INSPECTION

Make sure the hoses are not cracked or loose.

FUEL TANK SENSOR CONTROL VALVE

EMISSION CONTROL (AUX. EMISSION CONTROL DEVICES)

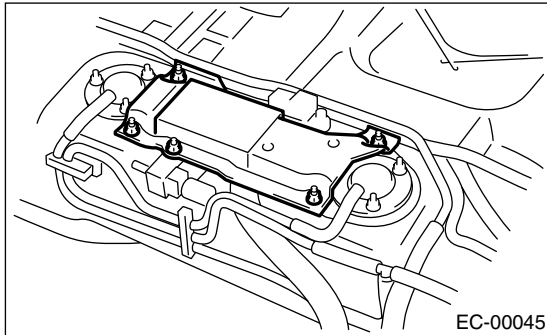
10. Fuel Tank Sensor Control Valve

A: REMOVAL

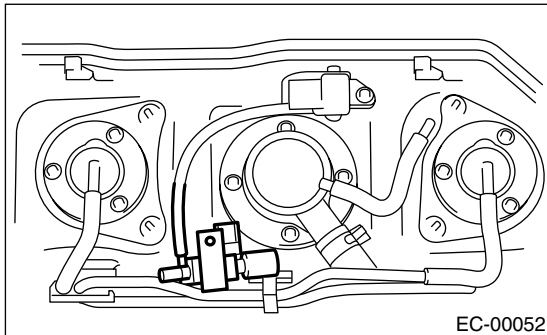
WARNING:

- Place “NO FIRE” signs near the working area.
- Be careful not to spill fuel.

- 1) Remove the fuel tank. <Ref. to FU(STi)-46, REMOVAL, Fuel Tank.>
- 2) Remove the protector cover.



- 3) Disconnect the connector from fuel tank sensor control valve.
- 4) Disconnect hose and remove fuel tank sensor control valve.



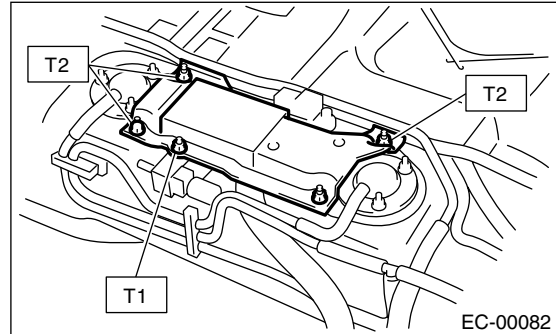
B: INSTALLATION

Install in the reverse order of removal.

Tightening torque:

T1: 7.4 N·m (0.75 kgf-m, 5.4 ft-lb)

T2: 4.4 N·m (0.45 kgf-m, 3.3 ft-lb)



C: INSPECTION

Make sure the hoses are not cracked or loose.

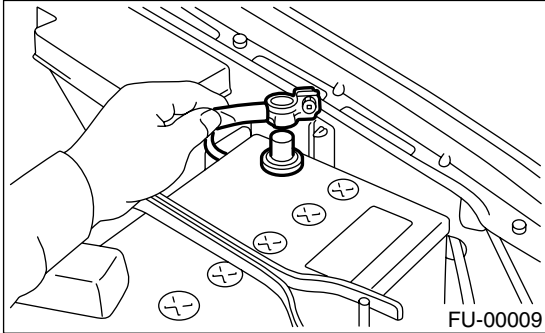
PRESSURE CONTROL SOLENOID VALVE

EMISSION CONTROL (AUX. EMISSION CONTROL DEVICES)

11. Pressure Control Solenoid Valve

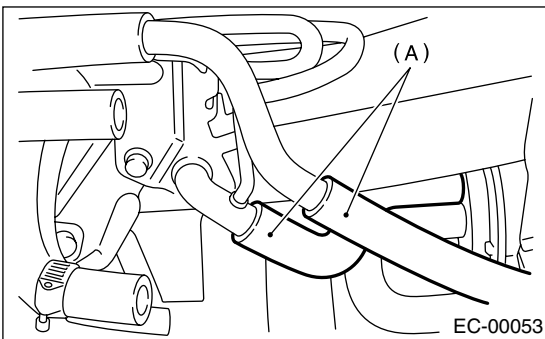
A: REMOVAL

1) Disconnect the ground terminal from battery.

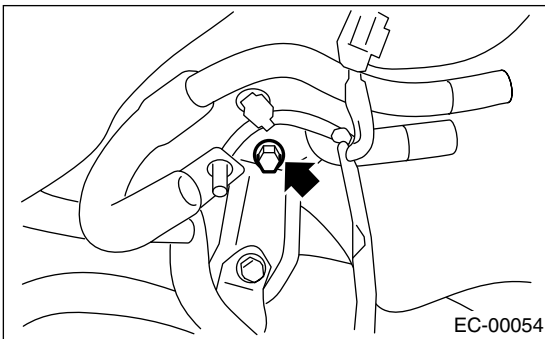


2) Remove the canister. <Ref. to EC(STi)-5, REMOVAL, Canister.>

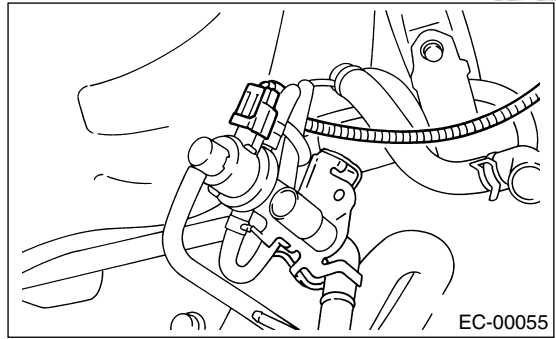
3) Disconnect the evaporation hoses (A) from joint pipes.



4) Remove the bolt which installs pressure control solenoid valve holding bracket on body.

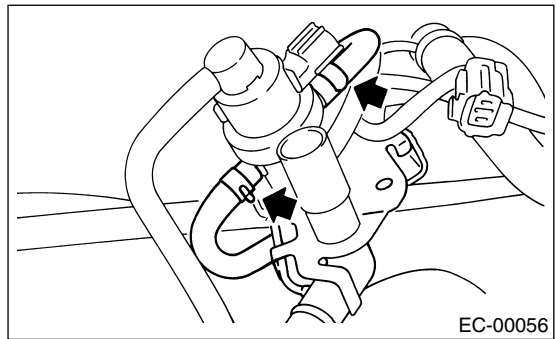


5) Disconnect the connector from pressure control solenoid valve.

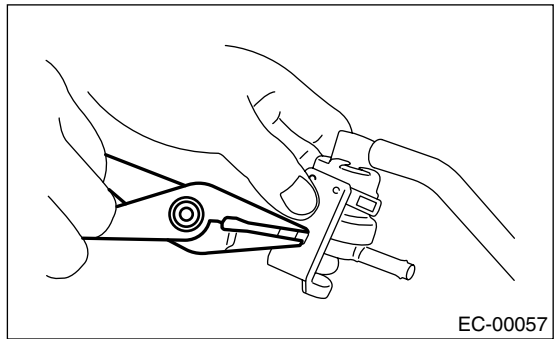


6) Disconnect the two evaporation hoses from pressure control solenoid valve.

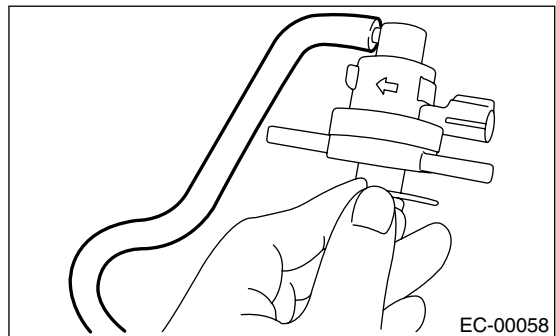
7) Remove the pressure control solenoid valve with bracket.



8) Remove the pressure control solenoid valve from bracket.



9) Disconnect the vacuum hose from pressure control solenoid valve.



PRESSURE CONTROL SOLENOID VALVE

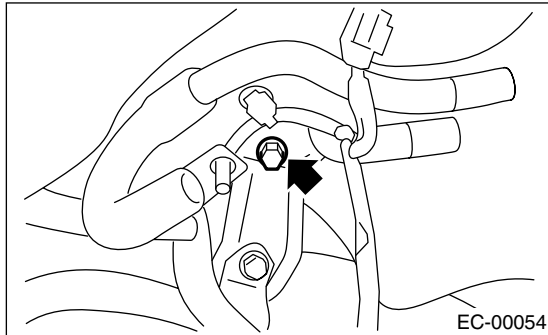
EMISSION CONTROL (AUX. EMISSION CONTROL DEVICES)

B: INSTALLATION

Install in the reverse order of removal.

Tightening torque:

17.6 N·m (1.8 kgf-m, 13.0 ft-lb)



C: INSPECTION

Make sure the hoses are not cracked or loose.

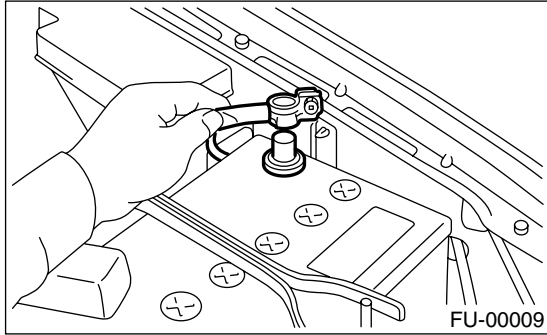
DRAIN FILTER

EMISSION CONTROL (AUX. EMISSION CONTROL DEVICES)

12. Drain Filter

A: REMOVAL

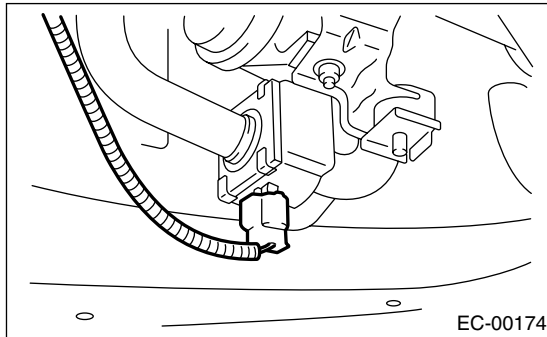
1) Disconnect the ground terminal from battery.



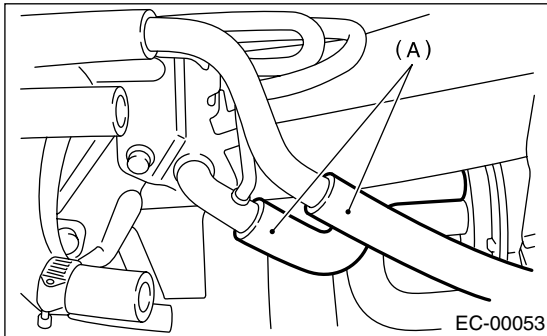
2) Lift-up the vehicle.

3) Remove the canister. <Ref. to EC(STi)-5, REMOVAL, Canister.>

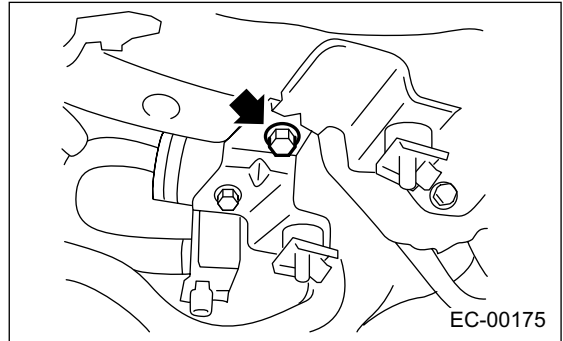
4) Disconnect the connector from drain valve.



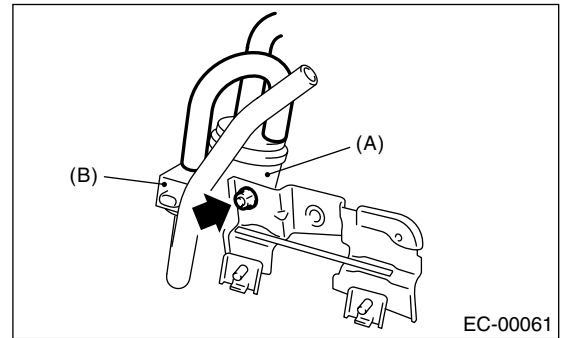
5) Disconnect the evaporation hoses (A) from joint pipes.



6) Remove the bolt which installs the drain filter and drain valve brackets on body, and remove them as a unit.



7) Disconnect the evaporation hoses, and remove the drain filter from the bracket.



- (A) Drain filter
- (B) Drain valve

DRAIN FILTER

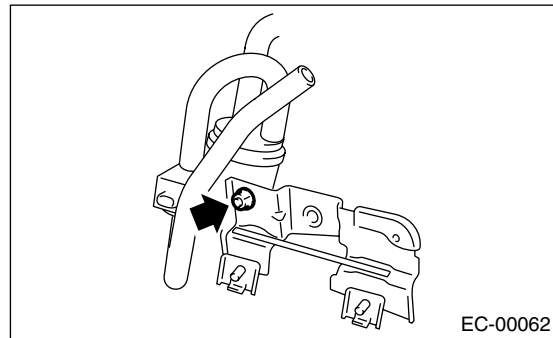
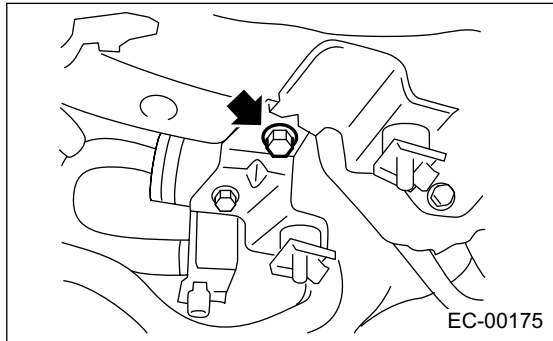
EMISSION CONTROL (AUX. EMISSION CONTROL DEVICES)

B: INSTALLATION

Install in the reverse order of removal.

Tightening torque:

23 N·m (2.3 kgf·m, 17 ft·lb)



C: INSPECTION

- 1) Make sure all hoses are installed correctly.
- 2) Make sure the hoses are not cracked or loose.

VENT VALVE

EMISSION CONTROL (AUX. EMISSION CONTROL DEVICES)

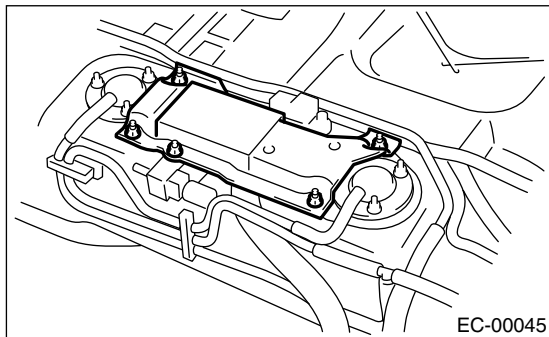
13. Vent Valve

A: REMOVAL

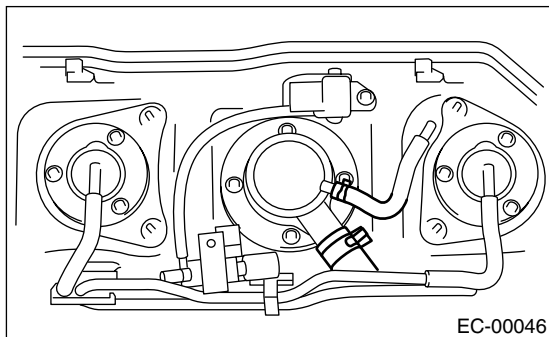
WARNING:

- Place "NO FIRE" signs near the working area.
- Be careful not to spill fuel.

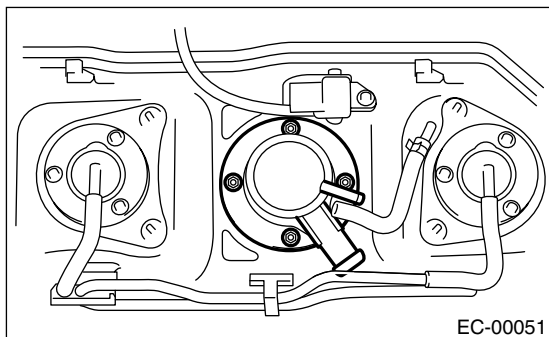
- 1) Remove the fuel tank. <Ref. to FU(STi)-46, REMOVAL, Fuel Tank.>
- 2) Remove the protector cover.



- 3) Remove the clips, and disconnect the hoses from vent valve.



- 4) Remove the nuts and then remove the vent valve.



B: INSTALLATION

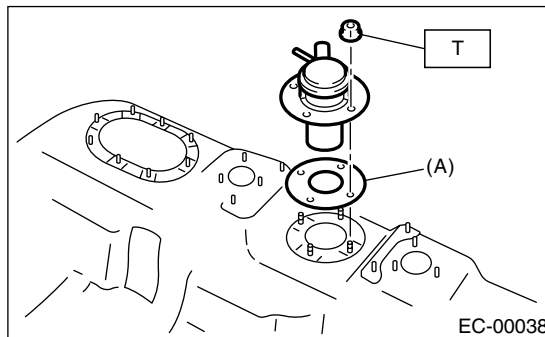
Install in the reverse order of removal.

NOTE:

Replace the rubber seat with a new one.

Tightening torque:

T: 4.4 N·m (0.45 kgf-m, 3.3 ft-lb)

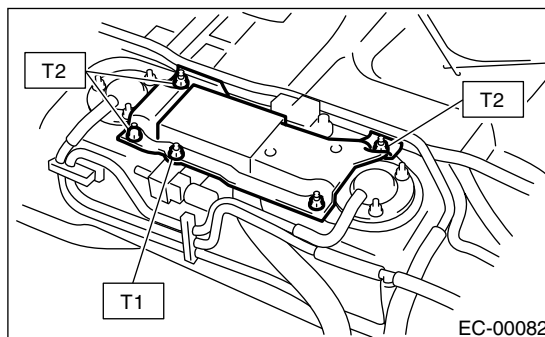


(A) Rubber seat

Tightening torque:

T1: 7.4 N·m (0.75 kgf-m, 5.4 ft-lb)

T2: 4.4 N·m (0.45 kgf-m, 3.3 ft-lb)



C: INSPECTION

Make sure the hoses are not cracked or loose.

SHUT VALVE

EMISSION CONTROL (AUX. EMISSION CONTROL DEVICES)

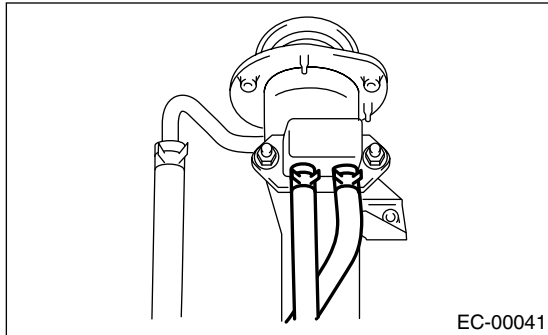
14. Shut Valve

A: REMOVAL

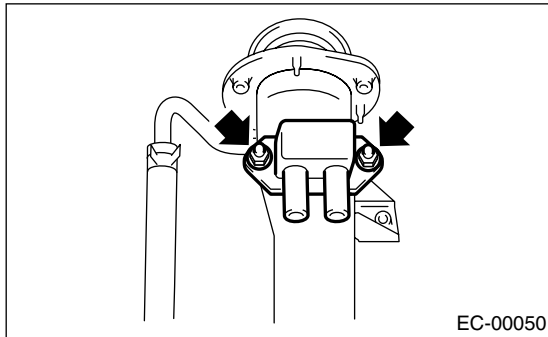
WARNING:

- Place “NO FIRE” signs near the working area.
- Be careful not to spill fuel.

- 1) Remove the fuel filler pipe. <Ref. to FU(STi)-49, REMOVAL, Fuel Filler Pipe.>
- 2) Disconnect the evaporation hoses from shut valve.



- 3) Remove the shut valve from fuel filler pipe.

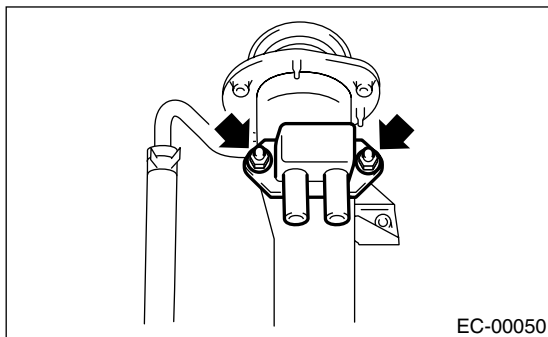


B: INSTALLATION

Install in the reverse order of removal.

Tightening torque:

4.5 N·m (0.46 kgf-m, 3.3 ft-lb)



C: INSPECTION

Make sure the hoses are not cracked or loose.

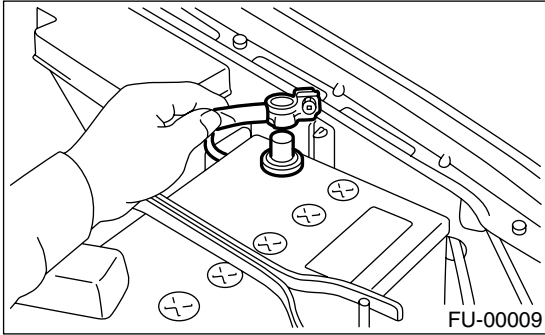
DRAIN VALVE

EMISSION CONTROL (AUX. EMISSION CONTROL DEVICES)

15. Drain Valve

A: REMOVAL

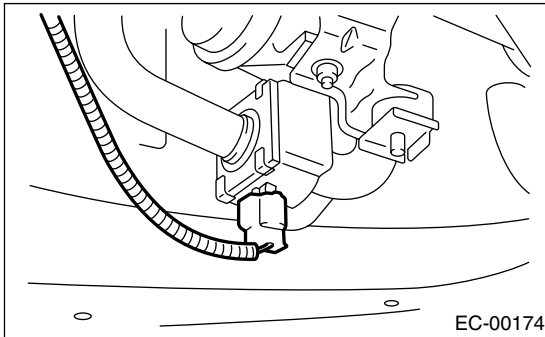
1) Disconnect the ground terminal from battery.



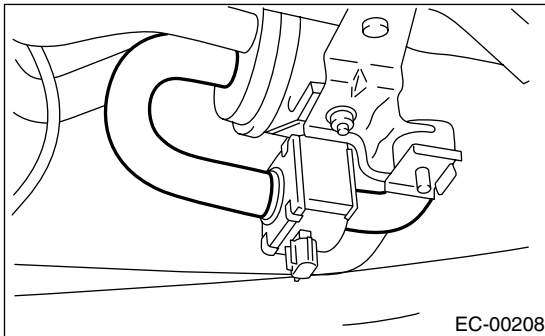
2) Lift-up the vehicle.

3) Remove the canister. <Ref. to EC(STi)-5, REMOVAL, Canister.>

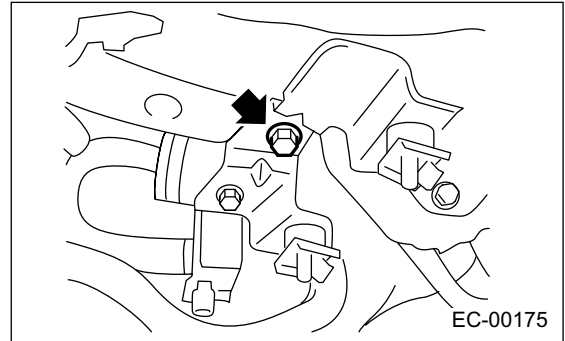
4) Disconnect the connector from drain valve.



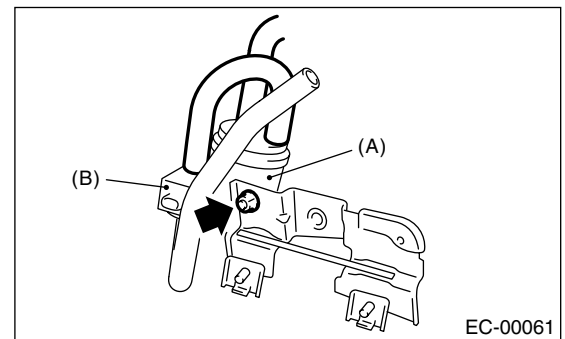
5) Disconnect the evaporation hoses from drain valve.



6) Remove the bolt which installs the drain filter and drain valve brackets on body, and remove them as a unit.



7) Remove the drain valve from bracket.



- (A) Drain filter
- (B) Drain valve

DRAIN VALVE

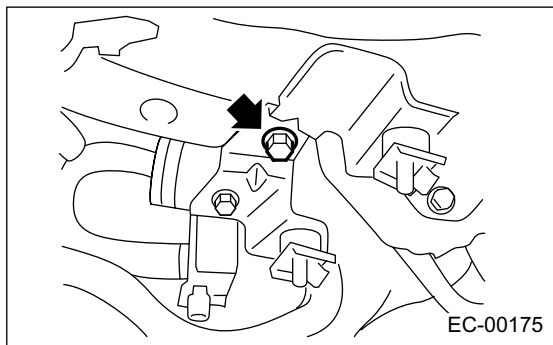
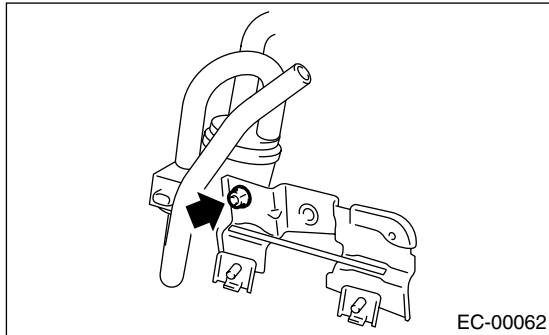
EMISSION CONTROL (AUX. EMISSION CONTROL DEVICES)

B: INSTALLATION

Install in the reverse order of removal.

Tightening torque:

23 N·m (2.3 kgf·m, 17 ft·lb)



C: INSPECTION

- 1) Make sure all hoses are installed correctly.
- 2) Make sure the hoses are not cracked or loose.

PCV HOSE ASSEMBLY

EMISSION CONTROL (AUX. EMISSION CONTROL DEVICES)

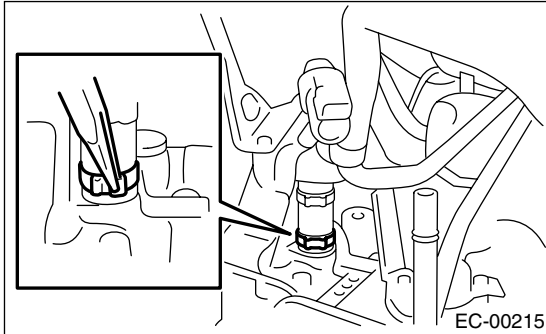
16.PCV Hose Assembly

A: REMOVAL

CAUTION:

Removal is not allowed except for the damage of PCV hose, diagnosis connector and PCV valve.

- 1) Remove the intake manifold.
<Ref. to FU(STi)-14, REMOVAL, Intake Manifold.>
- 2) Remove the clamp using pliers, etc. and then remove the PCV hose assembly.

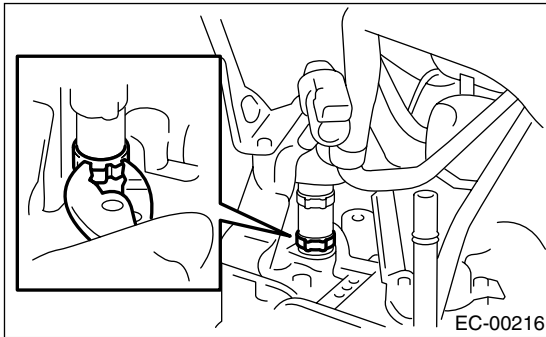


B: INSTALLATION

NOTE:

Replace the clamp with a new one.

- 1) Install the PCV hose assembly and lock it with a clamp clipped by pliers.



- 2) Install the intake manifold.
<Ref. to FU(STi)-16, INSTALLATION, Intake Manifold.>