

## 14. Transmission Gear Oil

### A: REPLACEMENT

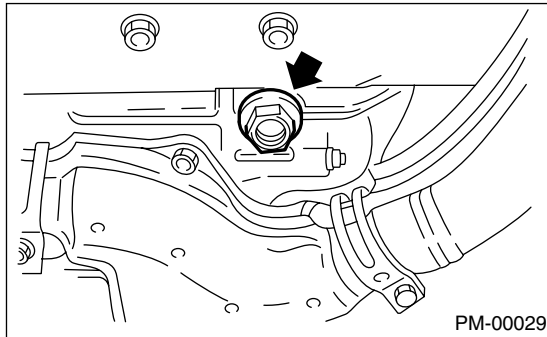
#### 1. MANUAL TRANSMISSION

1) Drain the gear oil by removing drain plug.

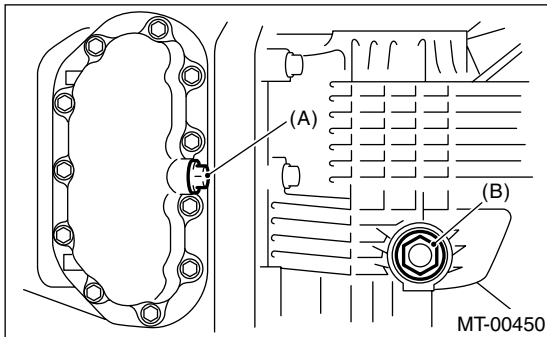
**NOTE:**

- Before starting work, cool off the transmission gear oil well.
- If transmission gear oil adheres to the exhaust pipe, wipe it off completely.

5MT



6MT



- (A) Drain plug (Oil pan side)
- (B) Drain plug (Clutch housing side)

2) Replace the gasket with new one, and then tighten it to the specified torque.

**Tightening torque:**

**5MT**

**70 N·m (7.1 kgf·m, 51.6 ft·lb)**

**6MT (Oil pan side):**

**44 N·m (4.5 kgf·m, 32.5ft·lb)**

**6MT (Clutch housing side):**

**70 N·m (7.1 kgf·m, 51.6 ft·lb)**

3) Fill transmission gear oil through the oil level gauge hole up to the upper point of level gauge.

**NOTE:**

Each oil manufacturer has its base oil and additives. Thus, do not mix two or more brands.

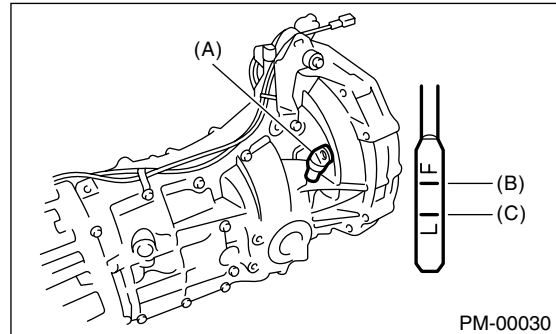
**Gear oil capacity:**

**5MT model**

**3.5 L (3.7 US qt, 3.1 Imp qt)**

**6MT model**

**4.1 L (4.3 US qt, 3.6 Imp qt)**



- (A) Oil level gauge
- (B) Upper level
- (C) Lower level