

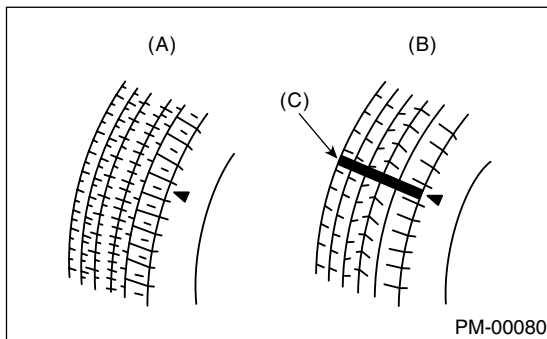
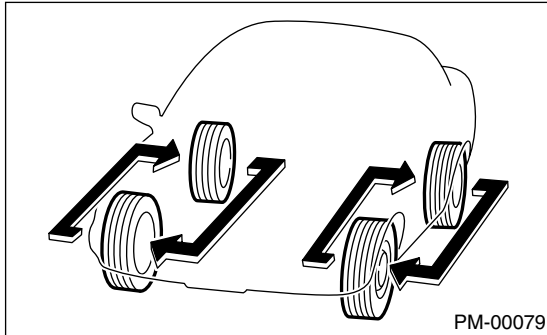
24. Tire Rotation

A: INSPECTION

1) When the tread has worn down to 1.6 mm (2/32 in) or the wear indicator appears across the tread, replace the tire. (It is recommended to replace both left and right tires as a set.)

2) If abnormal uneven wear is found on the tire, adjust the wheel alignment.

3) Also, tire rotations should be done by interchanging front and rear tires as shown to ensure even wear of the tires.



- (A) New tread
- (B) Worn tread
- (C) Tread wear indicator