

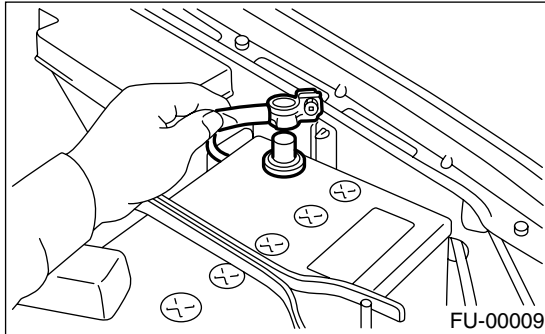
TUMBLE GENERATOR VALVE ASSEMBLY

FUEL INJECTION (FUEL SYSTEMS)

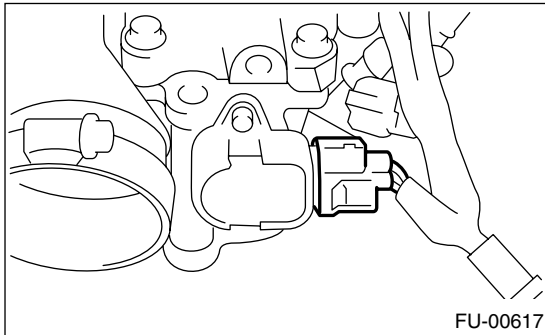
11. Tumble Generator Valve Assembly

A: REMOVAL

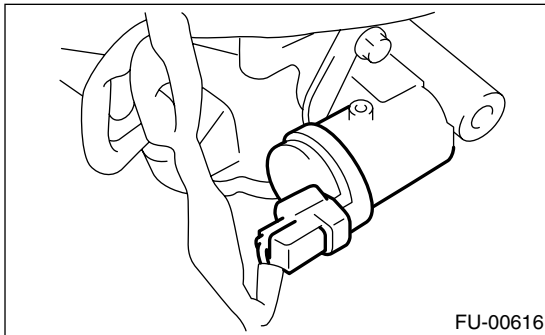
- 1) Release the fuel pressure. <Ref. to FU(STi)-45, RELEASING OF FUEL PRESSURE, OPERATION, Fuel.>
- 2) Open the fuel filler lid and remove the fuel filler cap.
- 3) Disconnect the ground cable from battery.



- 4) Remove the intake manifold. <Ref. to FU(STi)-14, REMOVAL, Intake Manifold.>
- 5) Disconnect the connector from the tumble generator valve sensor.

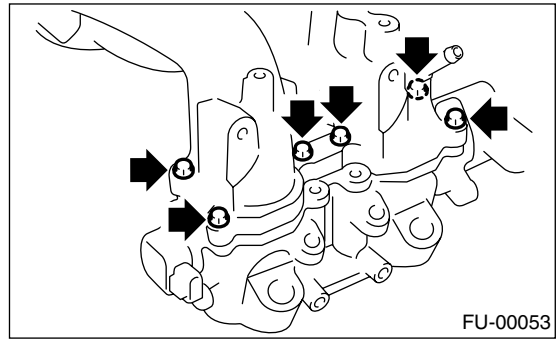


- 6) Disconnect the connector from the tumble generator valve actuator.



- 7) Remove the fuel injector. <Ref. to FU(STi)-32, REMOVAL, Fuel Injector.>

- 8) Remove the tumble generator valve body from the intake manifold.



B: INSTALLATION

Install in the reverse order of removal.

NOTE:

Always use new gaskets.

Tightening torque:

8.25 N-m (0.84 kgf-m, 6.1 ft-lb)

