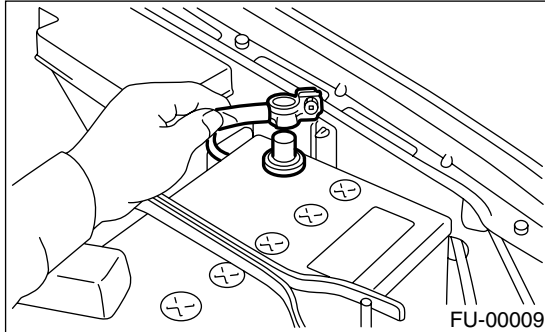


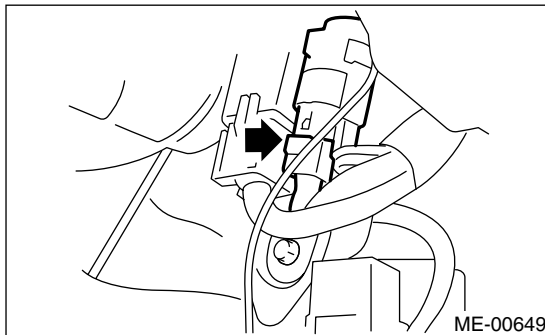
18. Fuel Pump Relay

A: REMOVAL

- 1) Disconnect the ground cable from battery.



- 2) Remove the passenger's side front side sill cover.
- 3) Remove the bolt which holds fuel pump relay bracket on the body.
- 4) Disconnect the connector from the fuel pump relay.



- 5) Remove the fuel pump relay from the mounting bracket.

B: INSTALLATION

Install in the reverse order of removal.