

# FUEL PUMP

## FUEL INJECTION (FUEL SYSTEMS)

### 23. Fuel Pump

#### A: REMOVAL

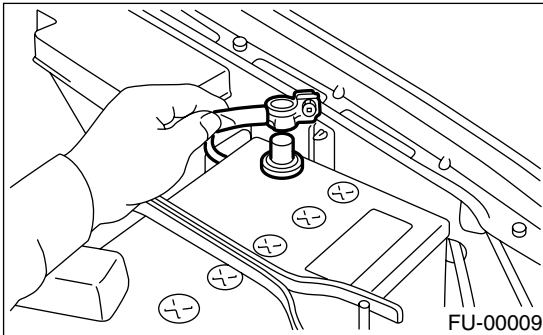
##### WARNING:

- Place “NO FIRE” signs near the working area.
- Be careful not to spill the fuel.

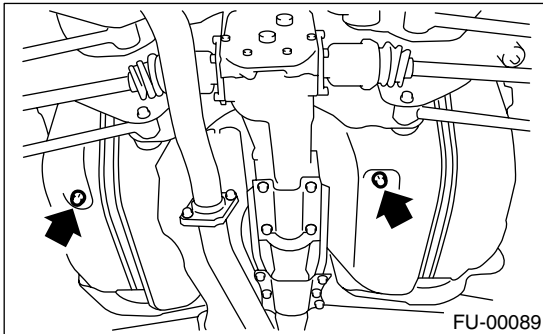
##### NOTE:

Fuel pump assembly consists of fuel pump and fuel level sensor.

- 1) Release the fuel pressure. <Ref. to FU(STi)-45, RELEASING OF FUEL PRESSURE, OPERATION, Fuel.>
- 2) Open the fuel filler flap lid and remove the fuel filler cap.
- 3) Disconnect the ground cable from battery.



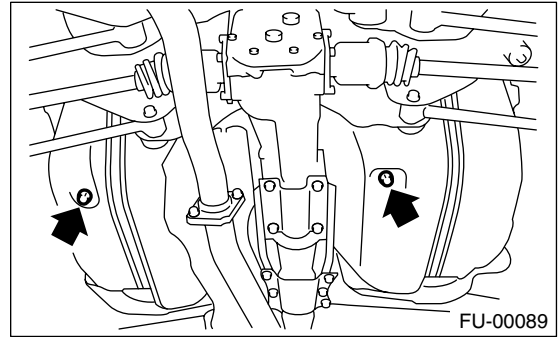
- 4) Lift-up the vehicle.
- 5) Drain the fuel from fuel tank. Set a container under the vehicle and remove the drain plug from fuel tank.



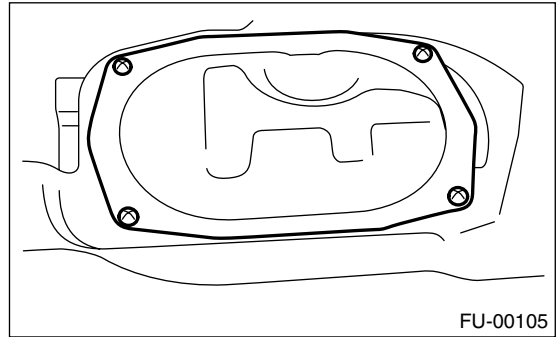
- 6) Tighten the fuel drain plug.

##### Tightening torque:

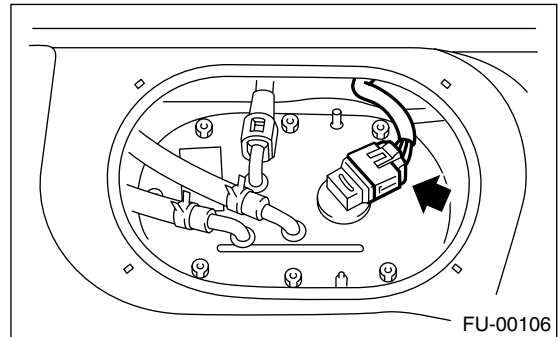
**26 N·m (2.65 kgf·m, 19.2 ft·lb)**



- 7) Raise the rear seat and turn the floor mat up.
- 8) Remove the access hole lid.



- 9) Disconnect the connector from the fuel pump.

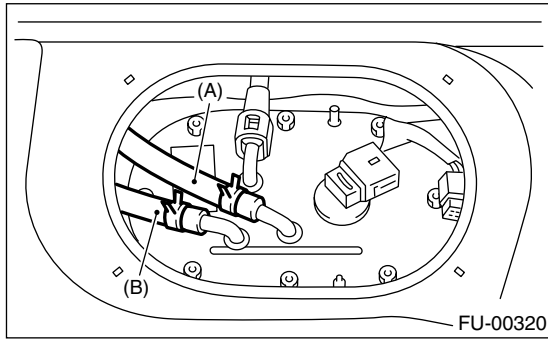


- 10) Disconnect the quick connector and then disconnect the fuel delivery hose (A). <Ref. to FU(STi)-63, Fuel Delivery, Return and Evaporation Lines.>

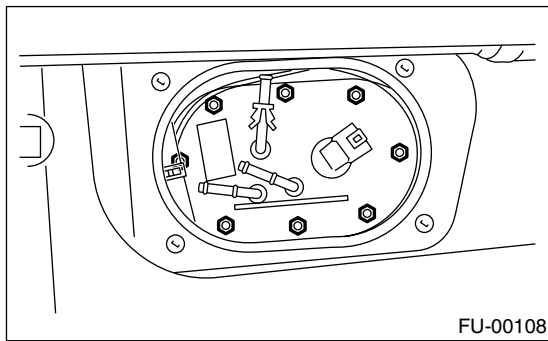
# FUEL PUMP

FUEL INJECTION (FUEL SYSTEMS)

- 11) Move the clips, and then disconnect the fuel return hose (A) and jet pump hose (B).



- 12) Remove the nuts which install the fuel pump assembly onto fuel tank.



- 13) Take off the fuel pump assembly from the fuel tank.

## B: INSTALLATION

Carefully following the steps below, install in the reverse order of removal.

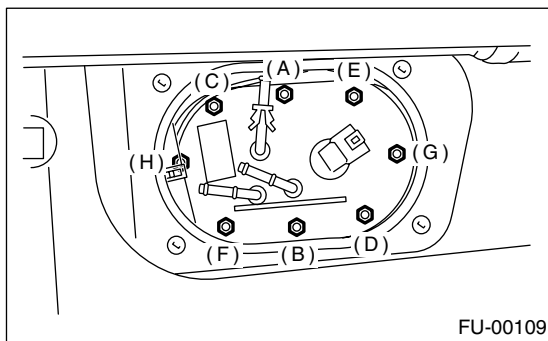
### NOTE:

Always use new gaskets.

- (1) Ensure the sealing portion is free from fuel or foreign particles before installation.
- (2) Tighten the nuts to the specified torque in alphabetical sequence as shown in the figure.

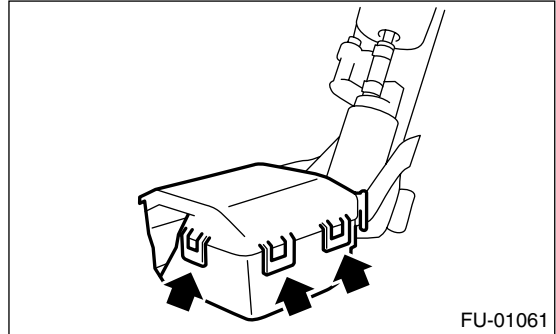
### Tightening torque:

**4.4 N·m (0.45 kgf-m, 3.3 ft-lb)**

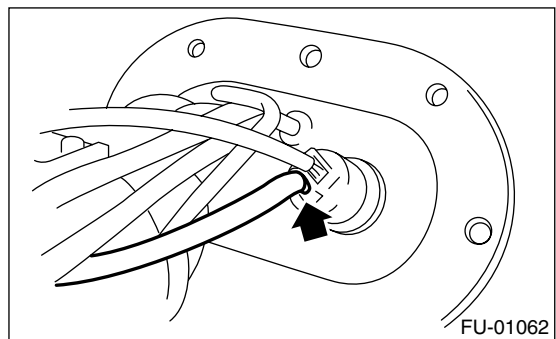


## C: DISASSEMBLY

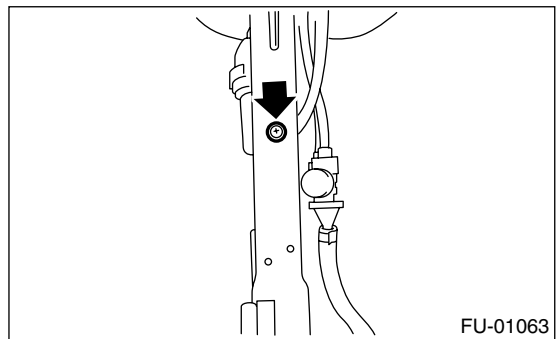
- 1) Separate the chamber into upper and lower parts, and then remove them.



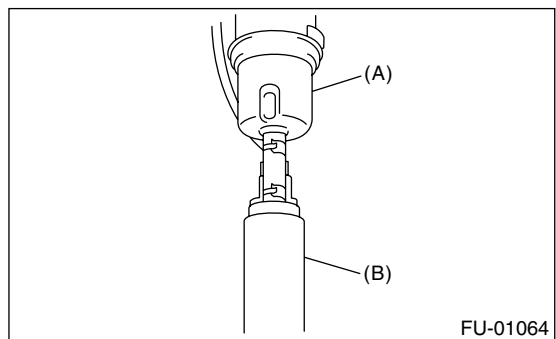
- 2) Disconnect the connector of fuel pump.



- 3) Remove the screw and remove the fuel pump and fuel filter.



- 4) Separate the fuel filter from fuel pump.



- (A) Fuel filter  
(B) Fuel pump

# FUEL PUMP

FUEL INJECTION (FUEL SYSTEMS)

---

## D: ASSEMBLY

Assemble in the reverse order of disassembly.

## E: INSPECTION

Connect the lead harness to the connector terminal of fuel pump and apply battery power supply to check whether the pump operate.

### WARNING:

- Wipe off the fuel completely.
- Keep battery as far apart from fuel pump as possible.
- Be sure to turn the battery supply ON and OFF on the battery side.
- Do not run fuel pump for a long time under non-load condition.

