

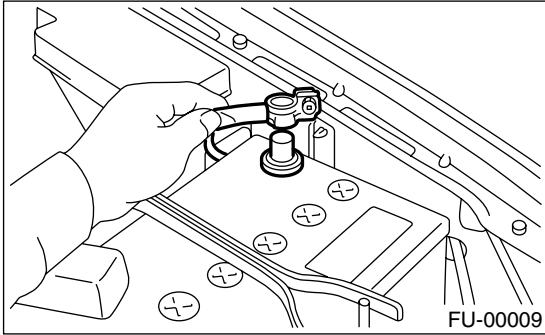
PURGE CONTROL SOLENOID VALVE

EMISSION CONTROL (AUX. EMISSION CONTROL DEVICES)

5. Purge Control Solenoid Valve

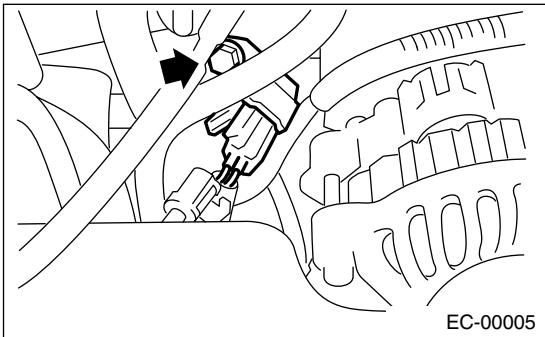
A: REMOVAL

1) Disconnect the ground terminal from battery.



2) Disconnect the connector and hoses from purge control solenoid valve.

3) Remove the bolt which installs the purge control solenoid valve onto intake manifold.

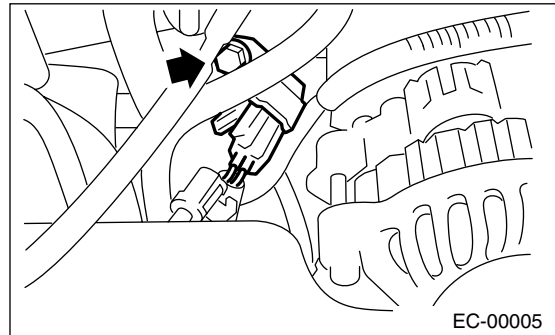


B: INSTALLATION

Install in the reverse order of removal.

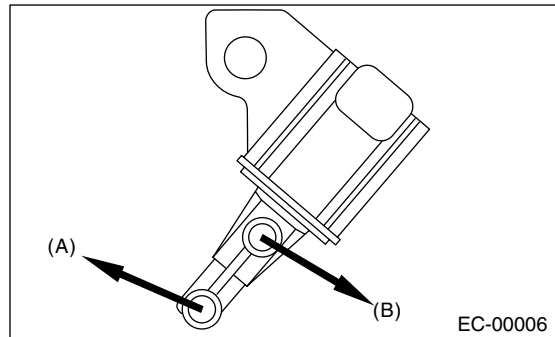
Tightening torque:

16 N·m (1.6 kgf-m, 11.6 ft-lb)



NOTE:

Connect the evaporation hoses as shown in the figure.



(A) To purge value

(B) To intake manifold

C: INSPECTION

Make sure the hoses are not cracked or loose.