

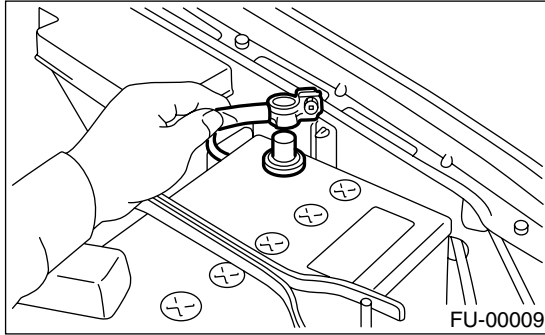
INTAKE DUCT

INTAKE (INDUCTION)

4. Intake Duct

A: REMOVAL

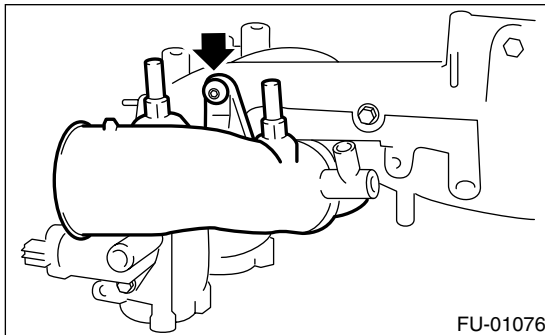
1) Disconnect the ground cable from battery.



2) Remove the intake manifold. <Ref. to FU(STi)-14, REMOVAL, Intake Manifold.>

3) Remove the sensor, engine harness and fuel pipe attached to intake manifold. <Ref. to FU(STi)-19, DISASSEMBLY, Intake Manifold.>

4) Remove the intake duct from intake manifold.



B: INSTALLATION

Install in the reverse order of removal.

Tightening torque:

19 N·m (1.9 kgf·m, 13.7 ft·lb)

