

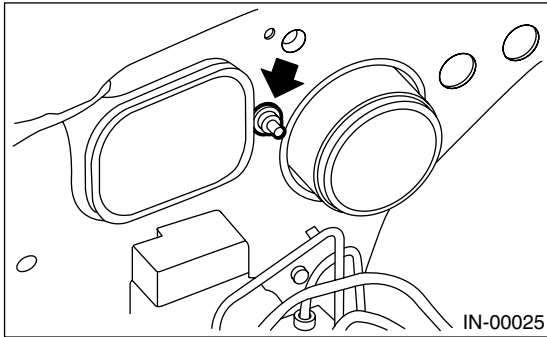
RESONATOR CHAMBER

INTAKE (INDUCTION)

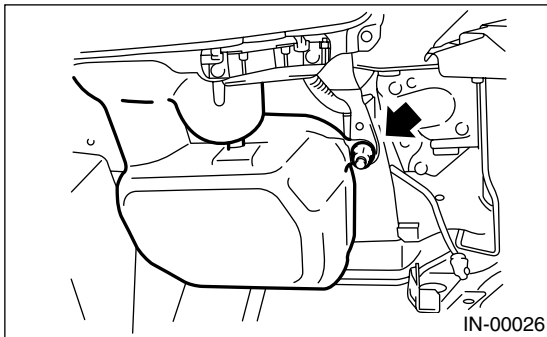
8. Resonator Chamber

A: REMOVAL

- 1) Set the vehicle on a lift.
- 2) Remove the air intake duct. <Ref. to IN(STi)-9, REMOVAL, Air Intake Duct.>
- 3) Remove the air cleaner lower case. <Ref. to IN(STi)-8, REMOVAL, Air Cleaner.>
- 4) Remove the resonator chamber mounting bolt on right side of engine compartment.



- 5) Remove the front right tire, and lift up the vehicle.
- 6) Remove the front mudguard RH.
- 7) Remove the resonator chamber from the inside front fender.

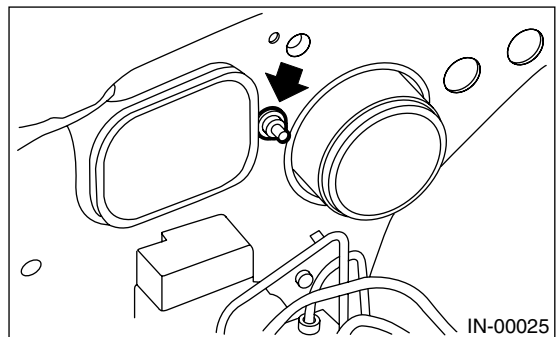
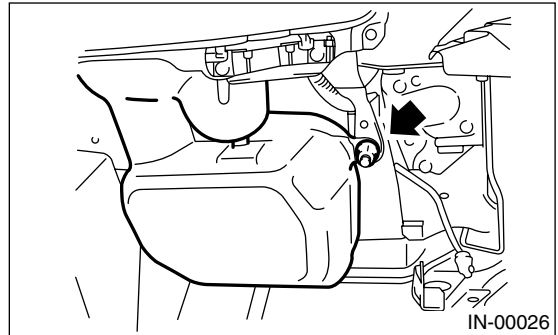


B: INSTALLATION

Install in the reverse order of removal.

Tightening torque:

7.5 N·m (0.76 kgf·m, 5.5 ft-lb)



C: INSPECTION

Inspect for cracks and loose connections. Check that no foreign objects are mixed in resonator chamber.