

CRANKSHAFT PULLEY

MECHANICAL

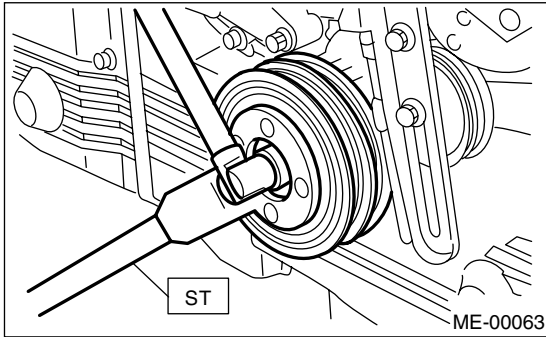
13. Crankshaft Pulley

A: REMOVAL

1) Remove the V-belt. <Ref. to ME(STi)-41, REMOVAL, V-belt.>

2) Remove the crankshaft pulley bolt. To lock the crankshaft, use ST.

ST 499977100 CRANKSHAFT PULLEY WRENCH



3) Remove the crankshaft pulley.

B: INSTALLATION

1) Install the crankshaft pulley.

2) Install the pulley bolt.

To lock the crankshaft, use ST.

ST 499977100 CRANKSHAFT PULLEY WRENCH

(1) Clean the crankshaft pulley thread using an air gun.

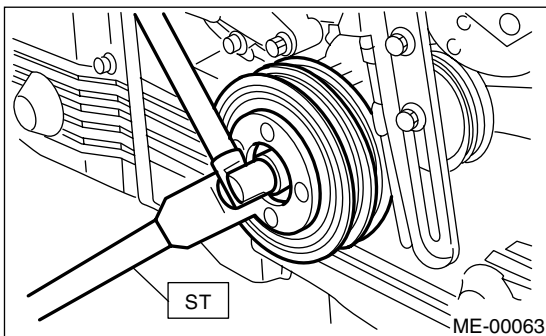
(2) Apply engine oil to the crankshaft pulley bolt seat and thread.

(3) Tighten the bolts temporarily with tightening torque of 44 N·m (4.5 kgf·m, 33 ft·lb).

(4) Tighten the crankshaft pulley bolts.

Tightening torque:

180 N·m (18.3 kgf·m, 132.7 ft·lb)



3) Confirm that the tightening angle of crankshaft pulley bolt is 65 degrees or more. If the tightening angle of crankshaft pulley bolt is less than 65 degrees, conduct the following procedures.

CAUTION:

If the tightening angle of crankshaft pulley bolt is less than 65 degrees, the bolt should be damaged. In this case, the bolt must be replaced.

(1) Replace the crankshaft pulley bolts and clean them.

Crankshaft pulley bolt:

12369AA011

(2) Clean the crankshaft thread using an air gun.

(3) Apply engine oil to the crankshaft pulley bolt seat and thread.

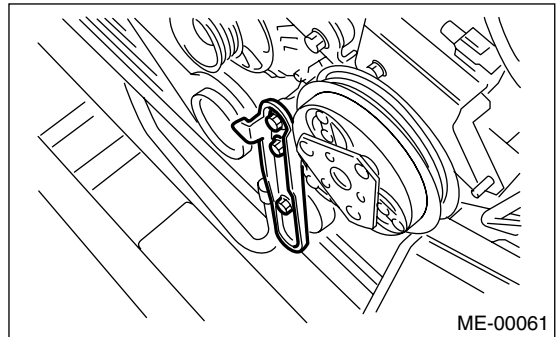
(4) Tighten the bolts temporarily with tightening torque of 44 N·m (4.5 kgf·m, 33 ft·lb).

(5) Tighten the crankshaft pulley bolts keeping them in an angle between 65 degrees and 75 degrees.

NOTE:

Conduct the tightening procedures by confirming the turning angle of crankshaft pulley bolt referring to the gauge indicated on timing belt cover.

4) Install the A/C belt tensioner.



5) Install the V-belt. <Ref. to ME(STi)-41, INSTALLATION, V-belt.>

C: INSPECTION

1) Make sure the V-belt is not worn or otherwise damaged.

2) Check the tension of the belt. <Ref. to ME(STi)-42, INSPECTION, V-belt.>