

DIAGNOSTIC TROUBLE CODE (DTC) DETECTING CRITERIA

GENERAL DESCRIPTION

2. Diagnostic Trouble Code (DTC) Detecting Criteria

A: DTC P0030 — HO₂S HEATER CONTROL CIRCUIT (BANK 1 SENSOR 1) —

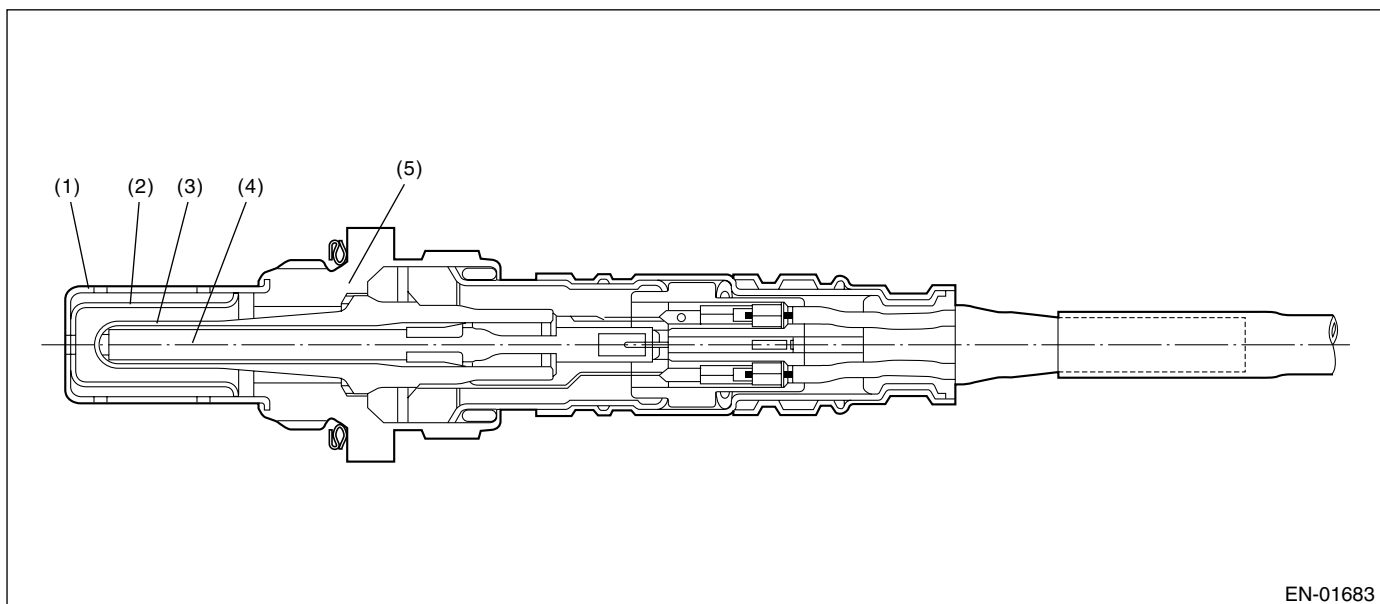
1. OUTLINE OF DIAGNOSIS

Detect the malfunction of front oxygen (A/F) sensor heater.

Diagnosis is performed using A/F microcomputer, and communication is established between A/F microcomputer and main microcomputer. Judge NG when the data of heater malfunction NG is transmitted.

Judge NG when the front oxygen (A/F) sensor element impedance is out of the standard value.

2. COMPONENT DESCRIPTION



- (1) Element cover (outer)
- (2) Element cover (inner)
- (3) Sensor element
- (4) Ceramic heater
- (5) Sensor housing

3. ENABLE CONDITIONS

Secondary Parameters	Enable Conditions
Front oxygen (A/F) sensor heater diagnosis	Incomplete
Battery voltage	> 10.9 V
After heater control starting	More than 30 seconds
After fuel shut-off	More than 20 seconds

4. GENERAL DRIVING CYCLE

Perform the diagnosis continuously in 30 seconds after the heater continuity starting, and complete the diagnosis if making a NG judgment.

DIAGNOSTIC TROUBLE CODE (DTC) DETECTING CRITERIA

GENERAL DESCRIPTION

5. DIAGNOSTIC METHOD

• Abnormality Judgment

Judge NG when one of the malfunction criteria below is completed.

Judgment Value

Malfunction Criteria	Threshold Value
Continuous completion period of malfunction criteria below	120 seconds or more
Impedance of front oxygen (A/F) sensor	< 10 Ω or > 40 Ω
Element resistance when determined voltage is applied	\geq 250 Ω

Time Needed for Diagnosis: 120 seconds

Malfunction Indicator Light Illumination: Illuminates when malfunction occurs in 2 continuous driving cycles.

• Normality Judgment

Judge OK when all of the malfunction criteria below is completed.

Judgment Value

Malfunction Criteria	Threshold Value
Continuous completion period of malfunction criteria below	30 seconds or more
Impedance of front oxygen (A/F) sensor	10 — 40 Ω
Continuous completion period of malfunction criteria below	15 seconds or more
Element resistance when determined voltage is applied	< 250 Ω

6. DTC CLEAR CONDITION

- When the OK idling cycle was completed 40 times in a row
- When "Clear Memory" was performed

7. MALFUNCTION INDICATOR LIGHT CLEAR CONDITION

- When the OK driving cycle was completed 3 times in a row
- When "Clear Memory" was performed

8. FAIL SAFE

None

9. ECM OPERATION AT DTC SETTING

Memorize the freeze frame data. (For test mode \$02)

DIAGNOSTIC TROUBLE CODE (DTC) DETECTING CRITERIA

GENERAL DESCRIPTION

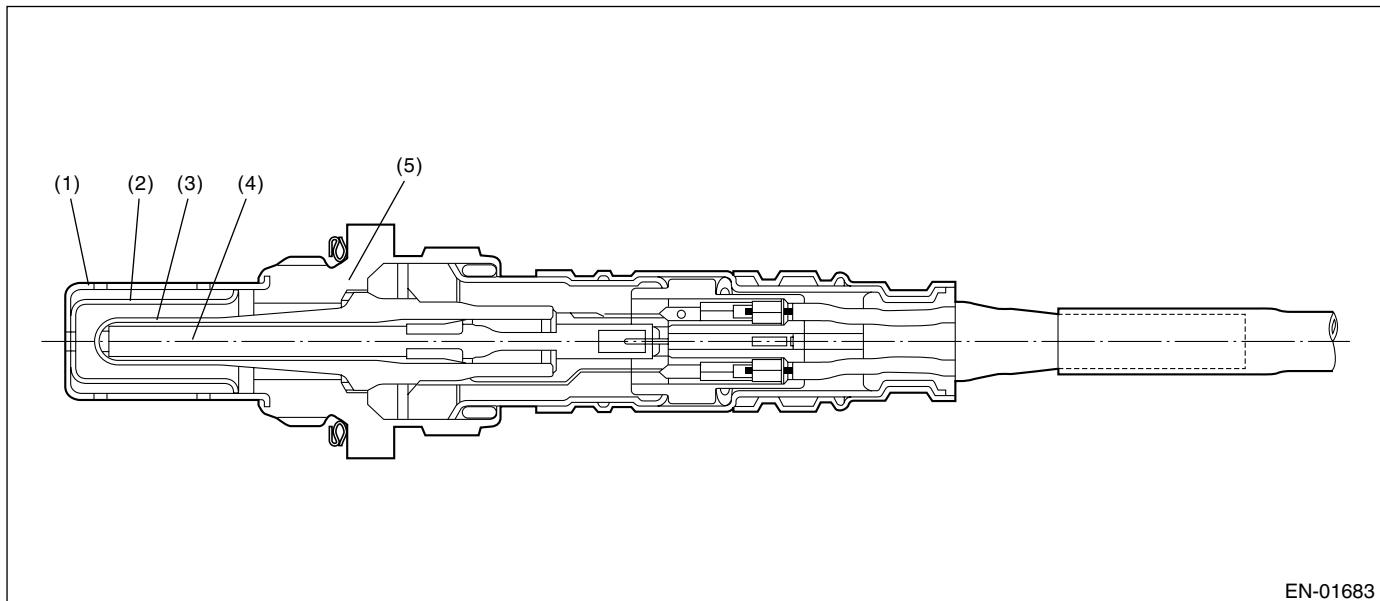
B: DTC P0031 — HO₂S HEATER CONTROL CIRCUIT LOW (BANK 1 SENSOR 1)

1. OUTLINE OF DIAGNOSIS

Detect the open or short circuit of front oxygen (A/F) sensor heater.

Diagnosis is performed using A/F microcomputer, and communication is established between A/F microcomputer and main microcomputer. Judge NG when the data of open circuit and shortage NG is transmitted.

2. COMPONENT DESCRIPTION



- (1) Element cover (outer)
- (2) Element cover (inner)
- (3) Sensor element
- (4) Ceramic heater
- (5) Sensor housing

3. ENABLE CONDITION

Secondary Parameters	Enable Conditions
Front oxygen (A/F) sensor heater diagnosis	Incomplete
Battery voltage	10.9 V or more

4. GENERAL DRIVING CYCLE

Terminate the diagnosis if the open or short circuit becomes NG once by performing diagnosis continuously.

5. DIAGNOSTIC METHOD

Judge NG when the continuous time of completing all the malfunction criteria below becomes more than 4.5 seconds.

Judgment Value

Malfunction Criteria	Threshold Value
Heater circuit	ON
Heater both edge voltage	≤ 5 V
Heater current	≤ 1.5 A

Time Needed for Diagnosis: 4.5 seconds

Malfunction Indicator Light Illumination: Illuminates as soon as malfunction occurs.

GD(H4SO)-10

DIAGNOSTIC TROUBLE CODE (DTC) DETECTING CRITERIA

GENERAL DESCRIPTION

6. DTC CLEAR CONDITION

- When the OK idling cycle was completed 40 times in a row
- When "Clear Memory" was performed

7. MALFUNCTION INDICATOR LIGHT CLEAR CONDITION

- When the OK driving cycle was completed 3 times in a row
- When "Clear Memory" was performed

8. FAIL SAFE

None

9. ECM OPERATION AT DTC SETTING

Memorize the freeze frame data. (For test mode \$02)

DIAGNOSTIC TROUBLE CODE (DTC) DETECTING CRITERIA

GENERAL DESCRIPTION

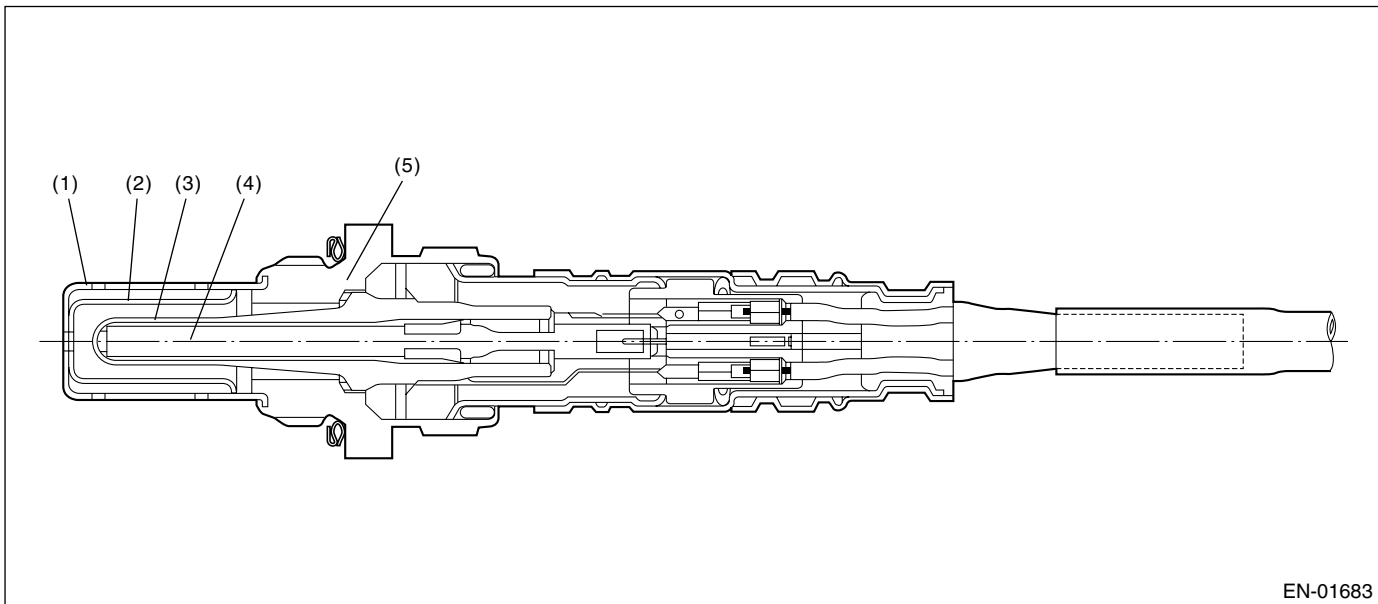
C: DTC P0032 — HO₂S HEATER CONTROL CIRCUIT HIGH (BANK 1 SENSOR 1) —

1. OUTLINE OF DIAGNOSIS

Detect the open or short circuit of front oxygen (A/F) sensor heater.

Diagnosis is performed using A/F microcomputer, and communication is established between A/F microcomputer and main microcomputer. Judge NG when the data of open circuit and shortage NG is transmitted.

2. COMPONENT DESCRIPTION



- (1) Element cover (outer)
- (2) Element cover (inner)
- (3) Sensor element
- (4) Ceramic heater
- (5) Sensor housing

3. ENABLE CONDITION

Secondary Parameters	Enable Conditions
Front oxygen (A/F) sensor heater diagnosis	Incomplete
Battery voltage	10.9 V or more

4. GENERAL DRIVING CYCLE

Terminate the diagnosis if the open or short circuit becomes NG once by performing diagnosis continuously.

DIAGNOSTIC TROUBLE CODE (DTC) DETECTING CRITERIA

GENERAL DESCRIPTION

5. DIAGNOSTIC METHOD

Judge NG when all the malfunction criteria below are completed.

Judgment Value

Malfunction Criteria	Threshold Value
Heater circuit	OFF
Heater both edge voltage	≥ 5 V
Heater current	≥ 1.5 A
Heater current ≥ 23 A event at heater continuity	Continues more than 385 milliseconds

Time Needed for Diagnosis: 4.5 seconds

Malfunction Indicator Light Illumination: Illuminates as soon as malfunction occurs.

6. DTC CLEAR CONDITION

- When the OK idling cycle was completed 40 times in a row
- When "Clear Memory" was performed

7. MALFUNCTION INDICATOR LIGHT CLEAR CONDITION

- When the OK driving cycle was completed 3 times in a row
- When "Clear Memory" was performed

8. FAIL SAFE

None

9. ECM OPERATION AT DTC SETTING

Memorize the freeze frame data. (For test mode \$02)

DIAGNOSTIC TROUBLE CODE (DTC) DETECTING CRITERIA

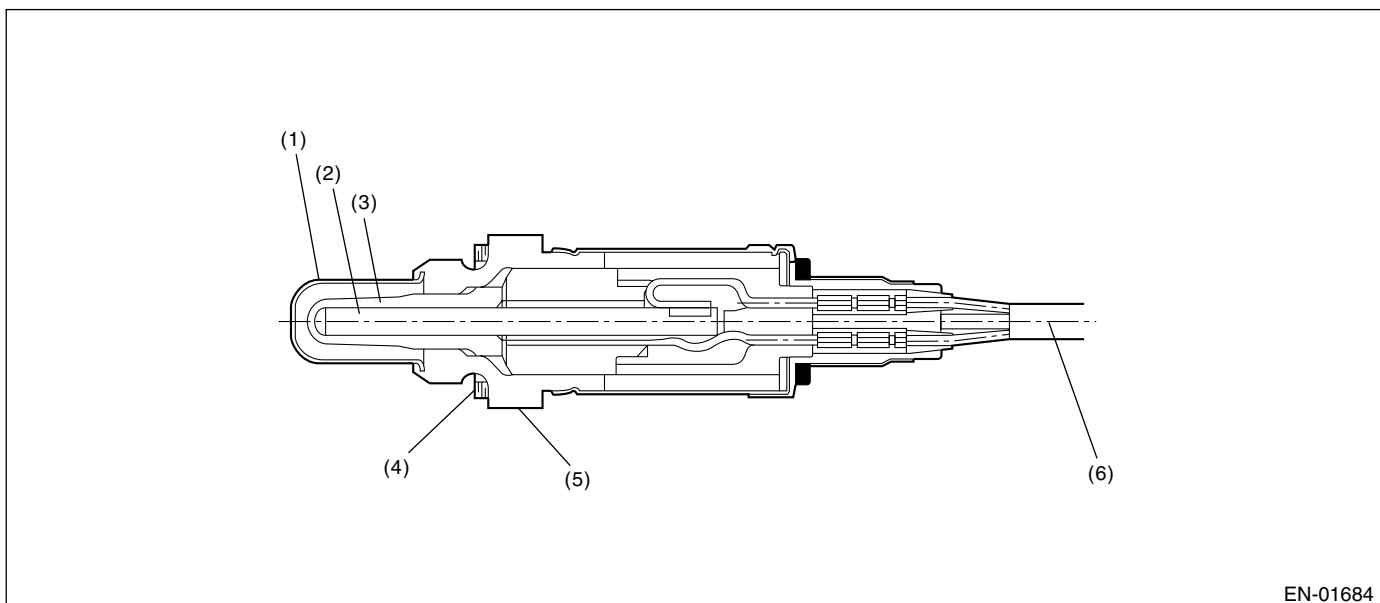
GENERAL DESCRIPTION

D: DTC P0037 — HO2S HEATER CONTROL CIRCUIT LOW (BANK 1 SENSOR 2)

1. OUTLINE OF DIAGNOSIS

Detect the open or short circuit of rear oxygen sensor heater.
Judge NG when out of the standard value.

2. COMPONENT DESCRIPTION



- | | |
|---------------------|--------------------|
| (1) Protection tube | (4) Gasket |
| (2) Ceramic heater | (5) Sensor housing |
| (3) Zirconium tube | (6) Harness |

3. ENABLE CONDITION

Secondary Parameters	Enable Conditions
Ignition switch	ON
Engine speed	≥ 500 rpm
Rear oxygen sensor heater diagnosis	Incomplete
After engine starting	10 seconds or more
Battery voltage	≥ 8 V

4. GENERAL DRIVING CYCLE

In 10 seconds after starting the engine, perform the diagnosis just once.

5. DIAGNOSTIC METHOD

Judge NG when the continuous time until completing the malfunction criteria below becomes 10 seconds or more. Judge OK when the continuous time until completing none of the malfunction criteria below becomes 10 seconds or more.

Judgment Value

Malfunction Criteria	Threshold Value
Calculated electric power	< 6 watts

Time needed for diagnosis: 10 seconds

Malfunction Indicator Light Illumination: Illuminates when malfunction occurs in 2 continuous driving cycles.

GD(H4SO)-14

DIAGNOSTIC TROUBLE CODE (DTC) DETECTING CRITERIA

GENERAL DESCRIPTION

6. DTC CLEAR CONDITION

- When the OK idling cycle was completed 40 times in a row
- When "Clear Memory" was performed

7. MALFUNCTION INDICATOR LIGHT CLEAR CONDITION

- When the OK driving cycle was completed 3 times in a row
- When "Clear Memory" was performed

8. FAIL SAFE

None

9. ECM OPERATION AT DTC SETTING

- Memorize the freeze frame data. (For test mode \$02)
- Memorize the diagnostic value and trouble standard value. (For test mode \$06)

DIAGNOSTIC TROUBLE CODE (DTC) DETECTING CRITERIA

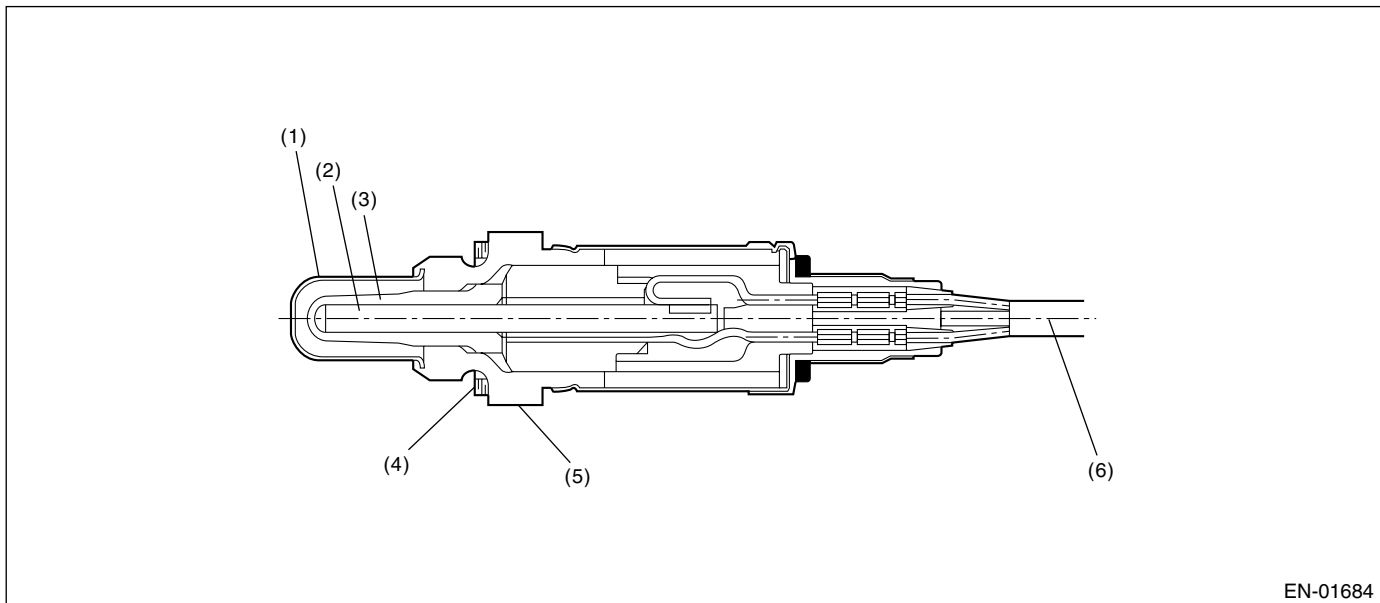
GENERAL DESCRIPTION

E: DTC P0038 — HO2S HEATER CONTROL CIRCUIT HIGH (BANK 1 SENSOR 2) —

1. OUTLINE OF DIAGNOSIS

Detect the open or short circuit of rear oxygen sensor heater.
Judge NG when out of the standard value.

2. COMPONENT DESCRIPTION



- | | |
|---------------------|--------------------|
| (1) Protection tube | (4) Gasket |
| (2) Ceramic heater | (5) Sensor housing |
| (3) Zirconium tube | (6) Harness |

3. ENABLE CONDITION

Secondary Parameters	Enable Conditions
Ignition switch	ON
Engine speed	≥ 500 rpm
Rear oxygen sensor heater diagnosis	Incomplete
After engine starting	10 seconds or more
Battery voltage	≥ 8 V

4. GENERAL DRIVING CYCLE

In 10 seconds after starting the engine, perform the diagnosis just once.

5. DIAGNOSTIC METHOD

Judge NG when the continuous time until completing the malfunction criteria below becomes 10 seconds or more. Judge OK when the continuous time until completing none of the malfunction criteria below becomes 10 seconds or more.

Judgment Value

Malfunction Criteria	Threshold Value
Calculated electric power	≥ 50 watts

Time needed for diagnosis: 10 seconds

Malfunction Indicator Light Illumination: Illuminates when malfunction occurs in 2 continuous driving cycles.

GD(H4SO)-16

DIAGNOSTIC TROUBLE CODE (DTC) DETECTING CRITERIA

GENERAL DESCRIPTION

6. DTC CLEAR CONDITION

- When the OK idling cycle was completed 40 times in a row
- When "Clear Memory" was performed

7. MALFUNCTION INDICATOR LIGHT CLEAR CONDITION

- When the OK driving cycle was completed 3 times in a row
- When "Clear Memory" was performed

8. FAIL SAFE

None

9. ECM OPERATION AT DTC SETTING

- Memorize the freeze frame data. (For test mode \$02)
- Memorize the diagnostic value and trouble standard value. (For test mode \$06)

DIAGNOSTIC TROUBLE CODE (DTC) DETECTING CRITERIA

GENERAL DESCRIPTION

F: DTC P0065 — AIR ASSISTED INJECTOR CONTROL RANGE/PERFORMANCE —

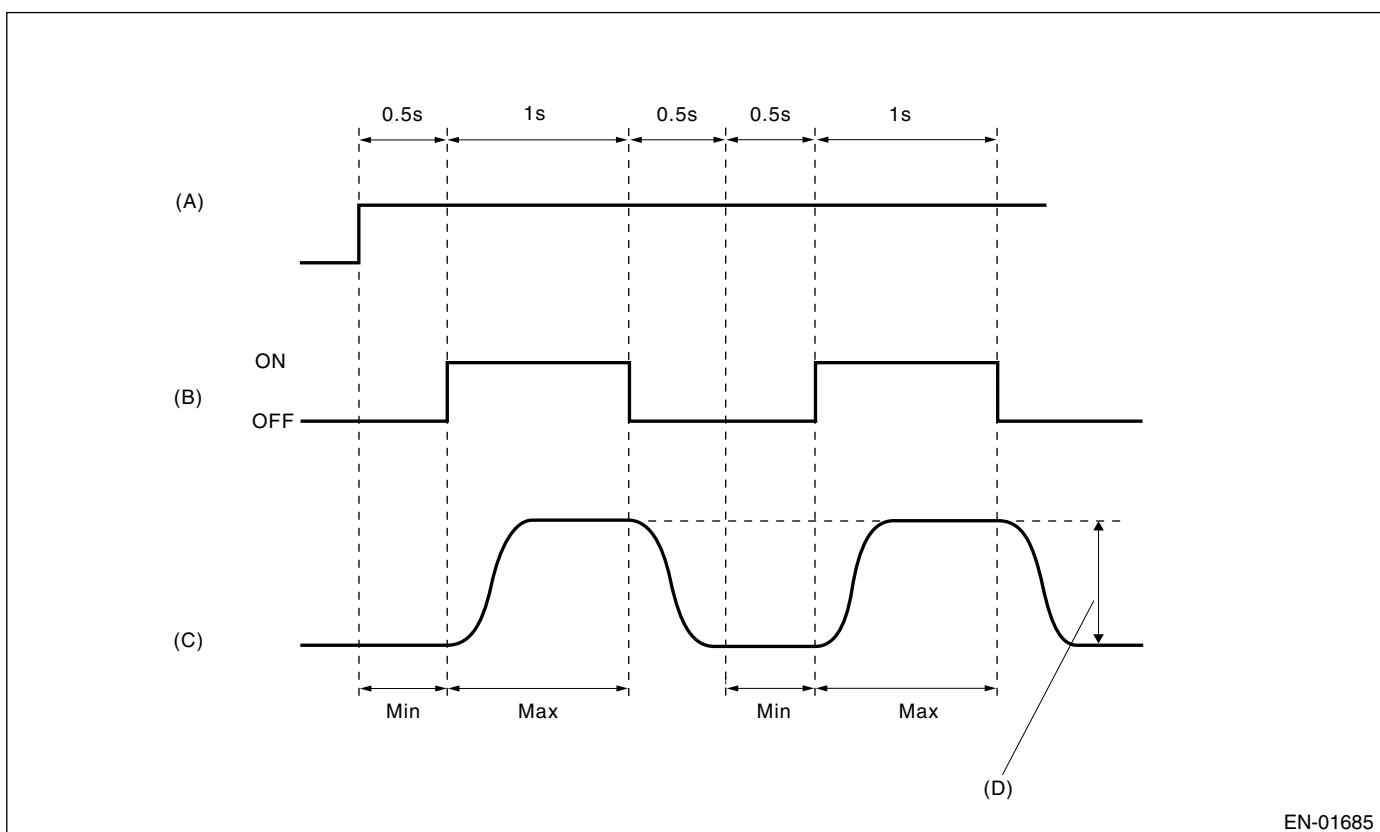
1. OUTLINE OF DIAGNOSIS

Detect the malfunction of AAI solenoid valve.

Intake manifold pressure (negative pressure) is constant because the throttle valve is fully closed during fuel cut at deceleration. At this time, opening AAI solenoid valve makes the intake manifold pressure larger. For AAI solenoid valve function diagnosis, judge OK or NG by the amount of change of intake manifold pressure when opening and closing the AAI solenoid valve.

Max. value with the valve open - Min. value with the valve closed < Threshold value → NG

Max. value with the valve open - Min. value with the valve closed ≥ Threshold value → OK

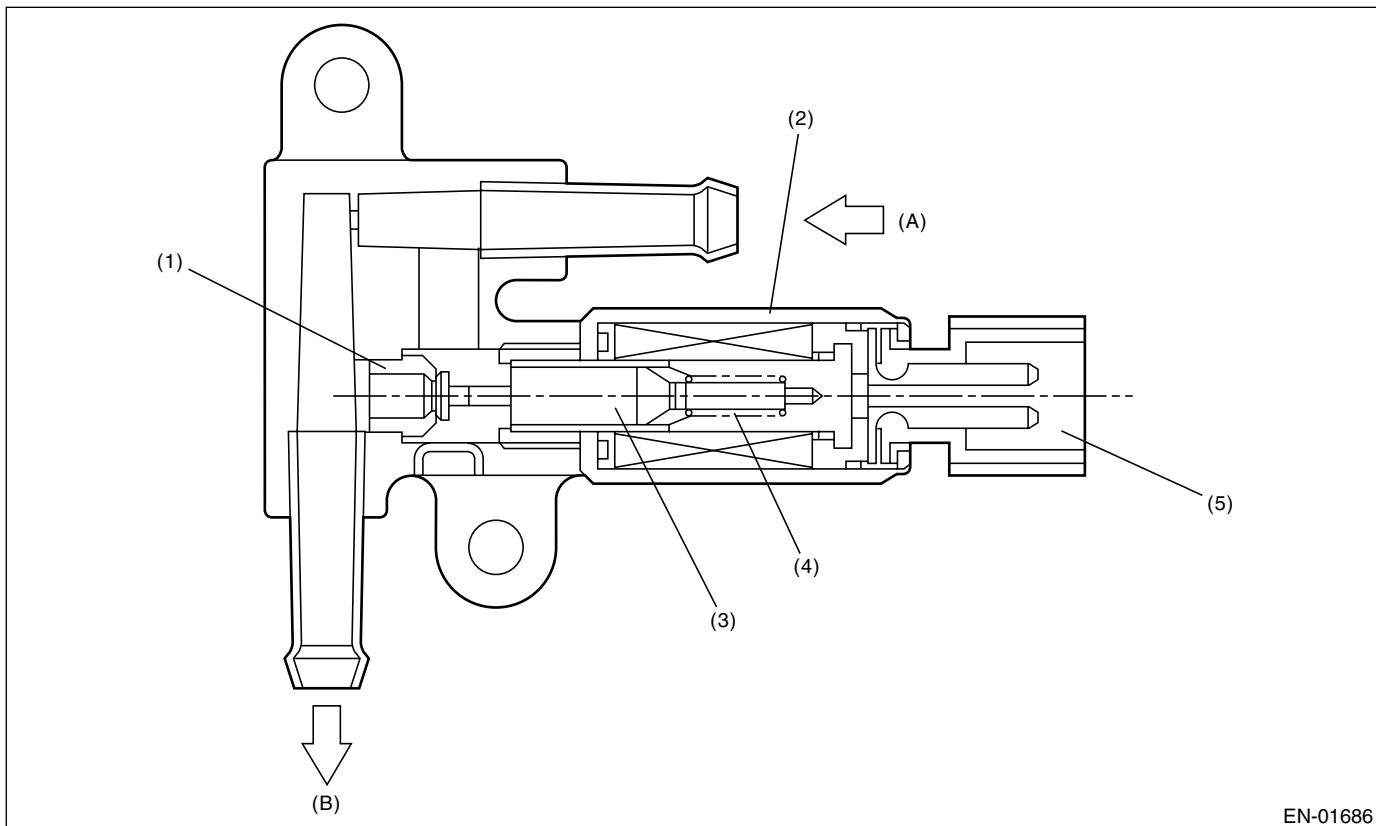


- (A) Conditions executed for diagnosis
- (B) AAI solenoid valve
- (C) Intake manifold pressure (At normal condition)
- (D) Diagnostic value

DIAGNOSTIC TROUBLE CODE (DTC) DETECTING CRITERIA

GENERAL DESCRIPTION

2. COMPONENT DESCRIPTION



EN-01686

- (1) Valve seat
- (2) Solenoid
- (3) Plunger and valve
- (4) Spring
- (5) Connector
- (A) From idle air control solenoid valve
- (B) To injector

3. ENABLE CONDITION

Secondary Parameters	Enable Conditions
Engine coolant temperature	$\geq 75^{\circ}\text{C}$ (167°F)
Engine speed	1300 \leftrightarrow 2300 rpm
Vehicle speed	≥ 60 km/h (37 MPH)
Atmospheric pressure	≥ 86 kPa (642 mmHg, 25 inHg)
Atmospheric-MAP	≥ 53 kPa (400 mmHg, 16 inHg)
Fuel cut event by coasting	In operation
AAI solenoid valve position	OFF (closed)
Estimated ambient air temperature value	$> 5^{\circ}\text{C}$ (41°F)

4. GENERAL DRIVING CYCLE

Conduct a serial diagnosis during fuel cut at deceleration from approx. 100 km/h (62 MPH).
Be careful for vehicle speed and engine speed. (Diagnosis may not finish if the vehicle speed and engine speed conditions become out of specification.)

GD(H4SO)-19

DIAGNOSTIC TROUBLE CODE (DTC) DETECTING CRITERIA

GENERAL DESCRIPTION

5. DIAGNOSTIC METHOD

Judge NG when the malfunction criteria below are completed 2 times in a row. Judge OK and clear the NG if not completed once

Judgment Value

Malfunction Criteria	Threshold Value
Paai1 – Paai2 Paai1; max. MAP value during AAI solenoid valve ON signal Paai2; min. MAP value during 0.5 seconds just before changing the valve from OFF to ON	< See Map 1

Map 1

Atmospheric pressure kPa (mmHg, inHg)	85.5 (641, 25.2)	86.3 (647, 25.5)	87.5 (656, 25.8)	91.7 (688, 27.1)	92.7 (695, 27.4)	93.9 (704, 27.7)	99.1 (743, 29.3)	100.3 (752, 29.6)	101.3 (760, 29.9)
Judgment value kPa (mmHg, inHg)	0 (0, 0)	0.40 (3, 0.12)	0.40 (3, 0.12)	0.53 (4, 0.16)	0.53 (4, 0.16)	0.80 (6, 0.24)	0.80 (6, 0.24)	0.80 (6, 0.24)	0.80 (6, 0.24)

Time needed for diagnosis: 3.5 seconds

Malfunction Indicator Light Illumination: Illuminates when malfunction occurs in 2 continuous driving cycles.

6. DTC CLEAR CONDITION

- When the OK idling cycle is completed 40 times in a row
- When "Clear Memory" was performed

7. MALFUNCTION INDICATOR LIGHT CLEAR CONDITION

- When the OK driving cycle is completed 3 times in a row
- When "Clear Memory" was performed

8. FAIL SAFE

None

9. ECM OPERATION AT DTC SETTING

Memorize the freeze frame data. (For test mode \$02)

DIAGNOSTIC TROUBLE CODE (DTC) DETECTING CRITERIA

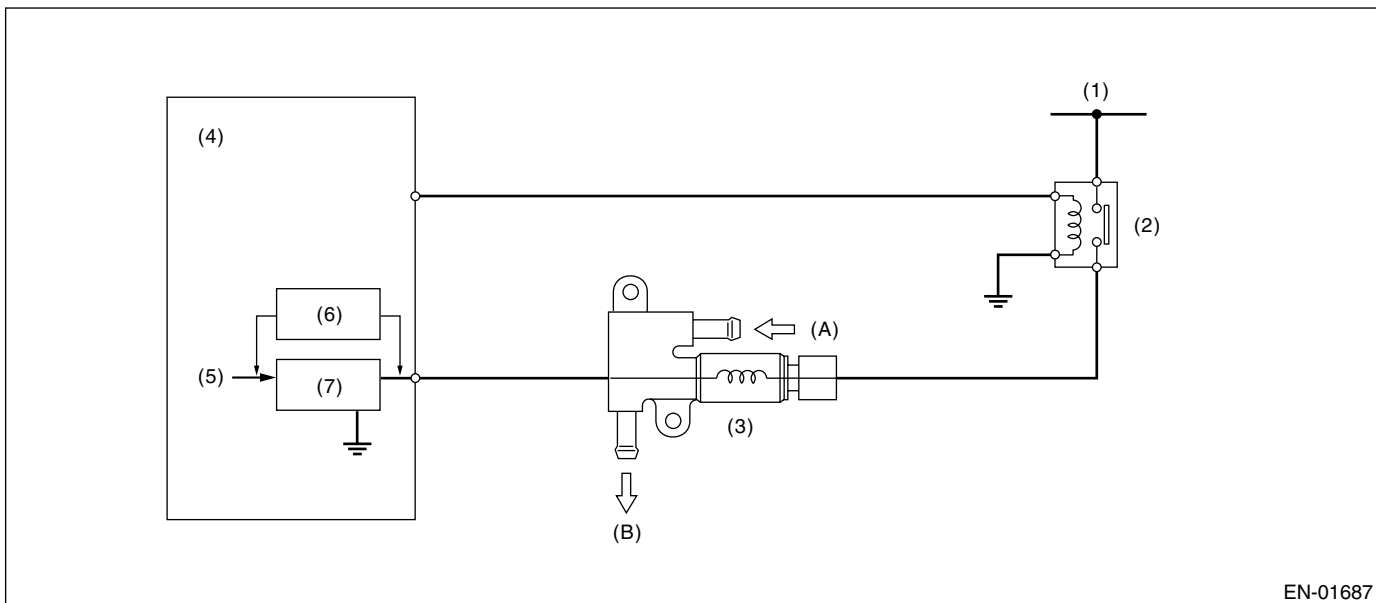
GENERAL DESCRIPTION

G: DTC P0066 — AIR ASSISTED INJECTOR CONTROL CIRCUIT OR CIRCUIT LOW —

1. OUTLINE OF DIAGNOSIS

Detect the open or short circuit of AAI solenoid valve. Judge NG when the ECM output level is different from actual terminal level.

2. COMPONENT DESCRIPTION



- | | |
|---------------------------------|--|
| (1) Battery | (A) From idle air control solenoid valve |
| (2) Main relay | (B) To injector |
| (3) AAI solenoid valve | |
| (4) Engine control module (ECM) | |
| (5) CPU | |
| (6) Detecting circuit | |
| (7) Switching circuit | |

3. ENABLE CONDITION

Secondary Parameters	Enable Conditions
Engine speed	≥ 500 rpm
Battery voltage	≥ 10.9 V
After engine starting	2 seconds or more

4. GENERAL DRIVING CYCLE

Perform the diagnosis continuously in 2 seconds after starting the engine.

DIAGNOSTIC TROUBLE CODE (DTC) DETECTING CRITERIA

GENERAL DESCRIPTION

5. DIAGNOSTIC METHOD

• Abnormality Judgment

Judge NG when the cumulative time until completing the malfunction criteria below becomes more than the time needed for diagnosis (2.5 seconds).

Judgment Value

Malfunction Criteria	Threshold Value
Terminal voltage level while ECM sent OFF signal	Low level

Time Needed for Diagnosis: 2.5 seconds

Malfunction Indicator Light Illumination: Illuminates when malfunction occurs in 2 continuous driving cycles.

• Normality Judgment

Judge OK and clear the NG when the malfunction criteria below are completed.

Judgment Value

Malfunction Criteria	Threshold Value
Terminal voltage level while ECM sent OFF signal	High level

6. DTC CLEAR CONDITION

- When the OK idling cycle is completed 40 times in a row
- When "Clear Memory" was performed

7. MALFUNCTION INDICATOR LIGHT CLEAR CONDITION

- When the OK driving cycle is completed 3 times in a row
- When "Clear Memory" was performed

8. FAIL SAFE

None

9. ECM OPERATION AT DTC SETTING

Memorize the freeze frame data. (For test mode \$02)

DIAGNOSTIC TROUBLE CODE (DTC) DETECTING CRITERIA

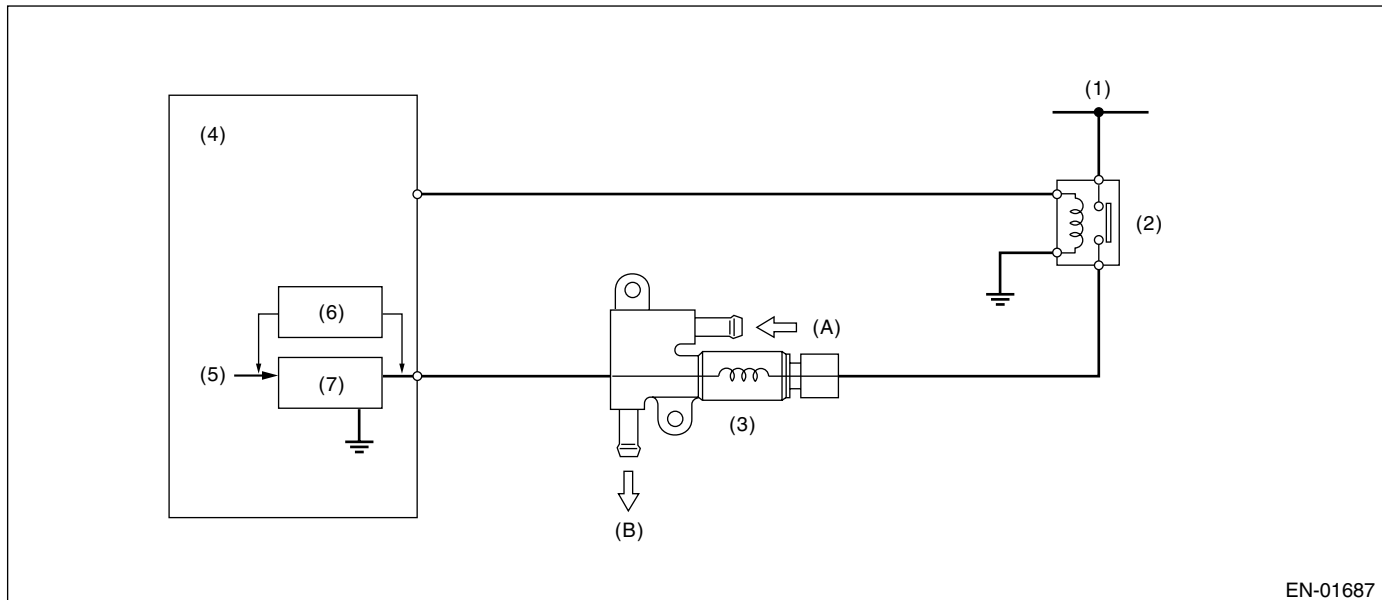
GENERAL DESCRIPTION

H: DTC P0067 — AIR ASSISTED INJECTOR CONTROL CIRCUIT HIGH —

1. OUTLINE OF DIAGNOSIS

Detect the open or short circuit of AAI solenoid valve. Judge NG when the ECM output level is different from actual terminal level.

2. COMPONENT DESCRIPTION



- | | |
|---|---|
| <ul style="list-style-type: none"> (1) Battery (2) Main relay (3) AAI solenoid valve (4) Engine control module (ECM) (5) CPU (6) Detecting circuit (7) Switching circuit | <ul style="list-style-type: none"> (A) From idle air control solenoid valve (B) To injector |
|---|---|

3. ENABLE CONDITION

Secondary Parameters	Enable Conditions
Engine speed	≥ 500 rpm
Battery voltage	≥ 10.9 V
After engine starting	2 seconds or more

4. GENERAL DRIVING CYCLE

Perform the diagnosis continuously in 2 seconds after starting the engine.

DIAGNOSTIC TROUBLE CODE (DTC) DETECTING CRITERIA

GENERAL DESCRIPTION

5. DIAGNOSTIC METHOD

• Abnormality Judgment

Judge NG when the cumulative time until completing the malfunction criteria below becomes more than the time needed for diagnosis.

Judgment Value

Malfunction Criteria	Threshold Value
Terminal voltage level while ECM sent OFF signal	High level

Time Needed for Diagnosis: 2.5 seconds

Malfunction Indicator Light Illumination: Illuminates when malfunction occurs in 2 continuous driving cycles.

• Normality Judgment

Judge OK and clear the NG when the malfunction criteria below are completed.

Judgment Value

Malfunction Criteria	Threshold Value
Terminal voltage level while ECM sent OFF signal	Low level

6. DTC CLEAR CONDITION

- When the OK idling cycle is completed 40 times in a row
- When "Clear Memory" was performed

7. MALFUNCTION INDICATOR LIGHT CLEAR CONDITION

- When the OK driving cycle is completed 3 times in a row
- When "Clear Memory" was performed

8. FAIL SAFE

None

9. ECM OPERATION AT DTC SETTING

Memorize the freeze frame data. (For test mode \$02)

DIAGNOSTIC TROUBLE CODE (DTC) DETECTING CRITERIA

GENERAL DESCRIPTION

I: DTC P0068 — MANIFOLD PRESSURE SENSOR RANGE/PERFORMANCE —

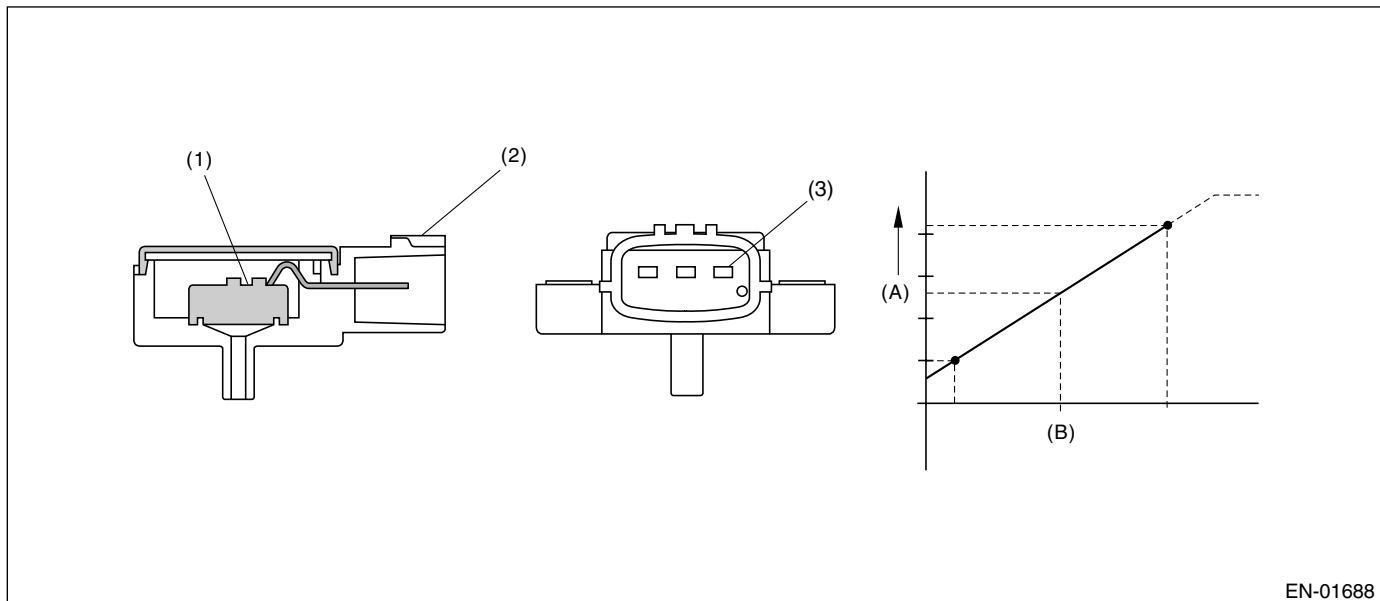
1. OUTLINE OF DIAGNOSIS

Detect the malfunction of intake manifold pressure sensor output property.

Judge NG when the intake manifold pressure is small (voltage is low) regardless of the driving situation that the intake manifold pressure may be thought larger than engine speed and throttle opening. (Low side)

On the other hand, judge NG when the intake manifold pressure is large (voltage is high) regardless of the driving situation that the intake manifold pressure may be thought smaller than engine speed and throttle opening. (High side)

2. COMPONENT DESCRIPTION



- (1) Pressure detecting part
- (2) Connector
- (3) Terminal

- (A) Output voltage
- (B) Input voltage

3. ENABLE CONDITION

Secondary Parameters	Enable Conditions
Engine coolant temperature	$\geq 75^{\circ}\text{C}$ (167°F)

4. GENERAL DRIVING CYCLE

Perform the diagnosis continuously after idling.

DIAGNOSTIC TROUBLE CODE (DTC) DETECTING CRITERIA

GENERAL DESCRIPTION

5. DIAGNOSTIC METHOD

• Abnormality Judgment

Judge NG when the continuous time of completing all the malfunction criteria of Low side or High side below becomes more than the time (3 seconds) needed for diagnosis.

Judgment Value

Malfunction Criteria	Threshold Value
(Low side)	
Engine speed	> 2500 rpm
Throttle position	> 15°
Output voltage	≤ 0.985 V
(High side)	
Engine speed	600 ↔ 900 rpm
Throttle position	≤ 2°
Output voltage	> 2.81 V

Time Needed for Diagnosis: 3 seconds

Malfunction Indicator Light Illumination: Illuminates when malfunction occurs in 2 continuous driving cycles.

• Normality Judgment

Judge OK and clear the NG when all the malfunction criteria of Low side or High side are completed.

Judgment Value

Malfunction Criteria	Threshold Value
(Low side)	
Engine speed	> 2500 rpm
Throttle position	> 15°
Output voltage	> 0.985 V
(High side)	
Engine speed	600 ↔ 900 rpm
Throttle position	≤ 2°
Output voltage	≤ 2.81 V

6. DTC CLEAR CONDITION

- When the OK idling cycle is completed 40 times in a row
- When "Clear Memory" was performed

7. MALFUNCTION INDICATOR LIGHT CLEAR CONDITION

- When the OK driving cycle is completed 3 times in a row
- When "Clear Memory" was performed

8. FAIL SAFE

None

9. ECM OPERATION AT DTC SETTING

Memorize the freeze frame data. (For test mode \$02)

DIAGNOSTIC TROUBLE CODE (DTC) DETECTING CRITERIA

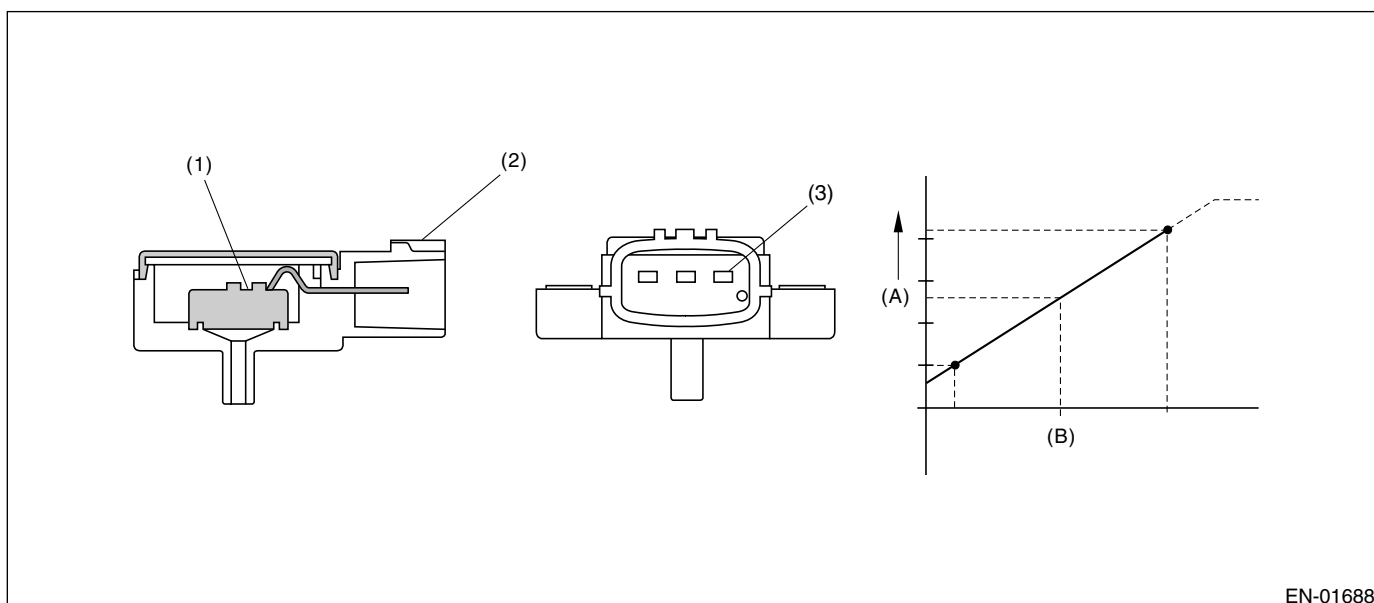
GENERAL DESCRIPTION

J: DTC P0107 — MANIFOLD ABSOLUTE PRESSURE/BAROMETRIC PRESSURE CIRCUIT LOW INPUT —

1. OUTLINE OF DIAGNOSIS

Detect the open or short circuit of intake manifold pressure sensor.
Judge NG when out of the standard value.

2. COMPONENT DESCRIPTION



- (1) Pressure detecting part
- (2) Connector
- (3) Terminal

- (A) Output voltage
- (B) Input voltage

EN-01688

3. ENABLE CONDITION

Secondary Parameters	Enable Conditions
Engine speed	≥ 500 rpm
Battery voltage	≥ 10 V
Self-diagnosis timer after starting the engine	≥ 0.5 seconds

4. GENERAL DRIVING CYCLE

Perform the diagnosis continuously after starting the engine.

5. DIAGNOSTIC METHOD

Judge NG when the continuous time until completing the malfunction criteria below becomes more than the time (2.5 seconds) needed for diagnosis. Judge fail safe NG when the continuous time until completing the malfunction criteria below becomes more than time (0.1 seconds) needed for diagnosis. Judge OK and clear the NG when the malfunction criteria below are not completed.

Judgment Value

Malfunction Criteria	Threshold Value
Output voltage	≤ 0.14 V

Time Needed for Diagnosis: 2.5 seconds

Malfunction Indicator Light Illumination: Illuminates as soon as malfunction occurs.

GD(H4SO)-27

DIAGNOSTIC TROUBLE CODE (DTC) DETECTING CRITERIA

GENERAL DESCRIPTION

6. DTC CLEAR CONDITION

- When the OK idling cycle is completed 40 times in a row
- When "Clear Memory" was performed

7. MALFUNCTION INDICATOR LIGHT CLEAR CONDITION

- When the OK driving cycle is completed 3 times in a row
- When "Clear Memory" was performed

8. FAIL SAFE

Calculate the manifold absolute pressure using the map figured by engine speed and throttle opening grid.

9. ECM OPERATION AT DTC SETTING

Memorize the freeze frame data. (For test mode \$02)

DIAGNOSTIC TROUBLE CODE (DTC) DETECTING CRITERIA

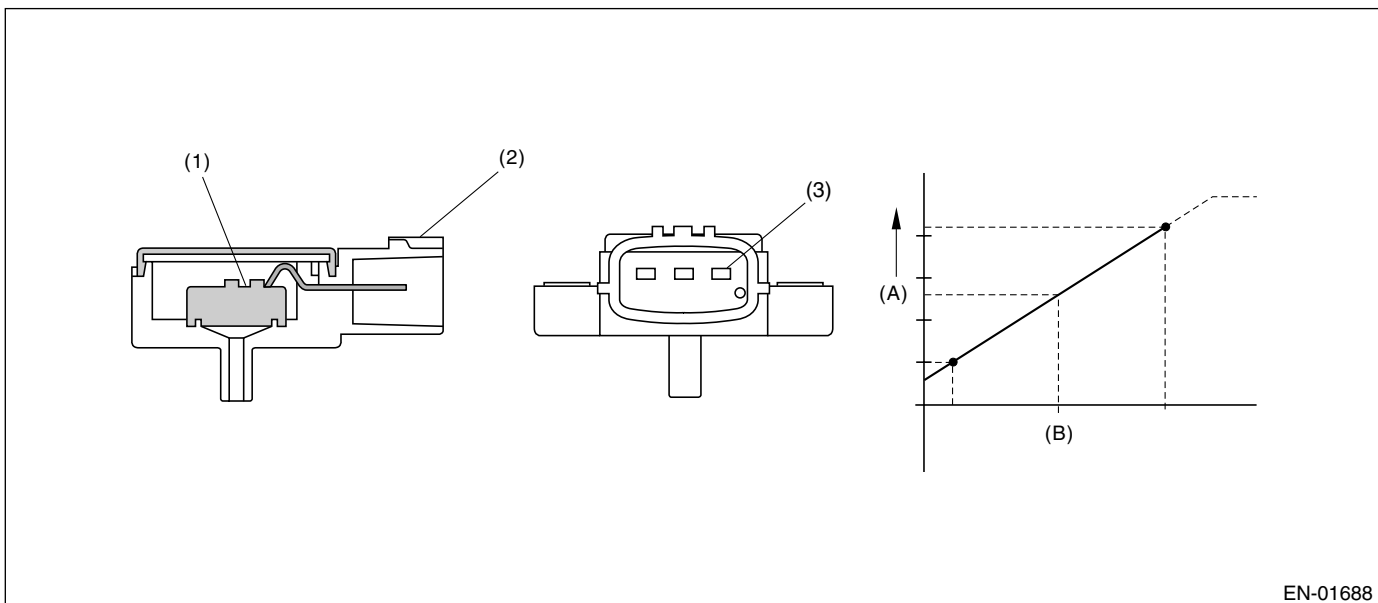
GENERAL DESCRIPTION

K: DTC P0108 — MANIFOLD ABSOLUTE PRESSURE/BAROMETRIC PRESSURE CIRCUIT HIGH INPUT —

1. OUTLINE OF DIAGNOSIS

Detect the open or short circuit of intake manifold pressure sensor.
Judge NG when out of the standard value.

2. COMPONENT DESCRIPTION



- (1) Pressure detecting part
- (2) Connector
- (3) Terminal

- (A) Output voltage
- (B) Input voltage

3. ENABLE CONDITION

Secondary Parameters	Enable Conditions
Engine speed	≥ 500 rpm
Battery voltage	≥ 10 V
Self-diagnosis timer after starting the engine	≥ 0.5 seconds

4. GENERAL DRIVING CYCLE

Perform the diagnosis continuously after starting the engine.

5. DIAGNOSTIC METHOD

Judge NG when the continuous time until completing the malfunction criteria below becomes more than the time (2.5 seconds) needed for diagnosis. Judge fail safe NG when the continuous time until completing the malfunction criteria below becomes more than time (0.1 seconds) needed for diagnosis. Judge OK and clear the NG when the malfunction criteria below are not completed.

Judgment value

Malfunction Criteria	Threshold Value
Output voltage	≥ 4.88 V

Time Needed for Diagnosis: 2.5 seconds

Malfunction Indicator Light Illumination: Illuminates as soon as malfunction occurs.

GD(H4SO)-29

DIAGNOSTIC TROUBLE CODE (DTC) DETECTING CRITERIA

GENERAL DESCRIPTION

6. DTC CLEAR CONDITION

- When the OK idling cycle is completed 40 times in a row
- When "Clear Memory" was performed

7. MALFUNCTION INDICATOR LIGHT CLEAR CONDITION

- When the OK driving cycle is completed 3 times in a row
- When "Clear Memory" was performed

8. FAIL SAFE

Calculate the intake manifold pressure using the map figured by engine speed and throttle opening grid.

9. ECM OPERATION AT DTC SETTING

Memorize the freeze frame data. (For test mode \$02)

DIAGNOSTIC TROUBLE CODE (DTC) DETECTING CRITERIA

GENERAL DESCRIPTION

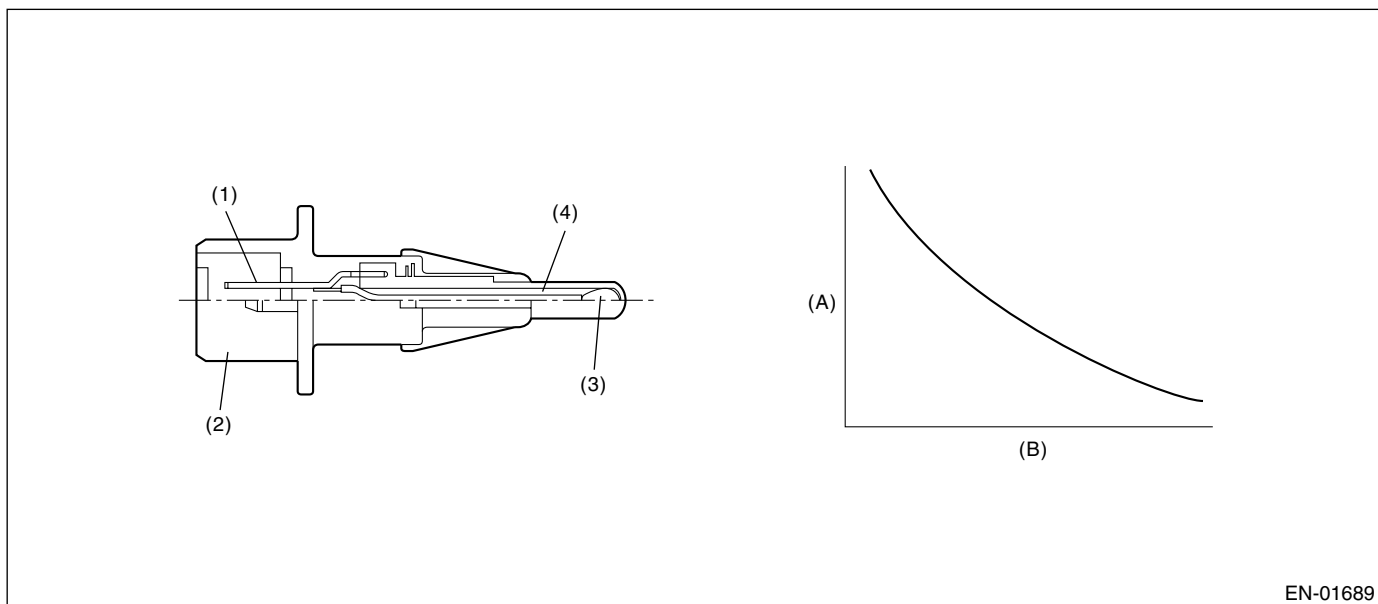
L: DTC P0111 — INTAKE AIR TEMPERATURE CIRCUIT RANGE/PERFORMANCE —

1. OUTLINE OF DIAGNOSIS

Detect the malfunction of intake air temperature sensor output property.

Judge NG when the intake air temperature is high regardless of the driving condition that the intake air temperature may be low.

2. COMPONENT DESCRIPTION



EN-01689

- (1) Terminal
- (2) Connector
- (3) Thermistor
- (4) Housing

- (A) Resistance value (Ω)
- (B) Intake air temperature °C (°F)

3. ENABLE CONDITION

Secondary Parameters	Enable Conditions
Ignition switch	ON

4. GENERAL DRIVING CYCLE

Perform the diagnosis continuously.

DIAGNOSTIC TROUBLE CODE (DTC) DETECTING CRITERIA

GENERAL DESCRIPTION

5. DIAGNOSTIC METHOD

• Abnormality Judgment

Judge NG when the continuous time until completing all the malfunction criteria below becomes more than the time (3 seconds) needed for diagnosis.

Judgment Value

Malfunction Criteria	Threshold Value
Engine coolant temperature	< 40°C (104°F)
Fuel temperature	< 40°C (104°F)
Fuel level	≥ 9 ℓ (2.4 US gal, 2.0 Imp gal)
Intake air temperature	≥ 80°C (176°F)

Time Needed for Diagnosis: 3 seconds

Malfunction Indicator Light Illumination: Illuminates when malfunction occurs in 2 continuous driving cycles.

• Normality Judgment

Judge OK and clear the NG when the malfunction criteria below are completed.

Judgment Value

Malfunction Criteria	Threshold Value
Intake air temperature	< 80°C (176°F)

6. DTC CLEAR CONDITION

- When the OK idling cycle is completed 40 times in a row
- When "Clear Memory" was performed

7. MALFUNCTION INDICATOR LIGHT CLEAR CONDITION

- When the OK driving cycle is completed 3 times in a row
- When "Clear Memory" was performed

8. FAIL SAFE

Make the intake air temperature 40°C (104°F).

9. ECM OPERATION AT DTC SETTING

Memorize the freeze frame data. (For test mode \$02)

DIAGNOSTIC TROUBLE CODE (DTC) DETECTING CRITERIA

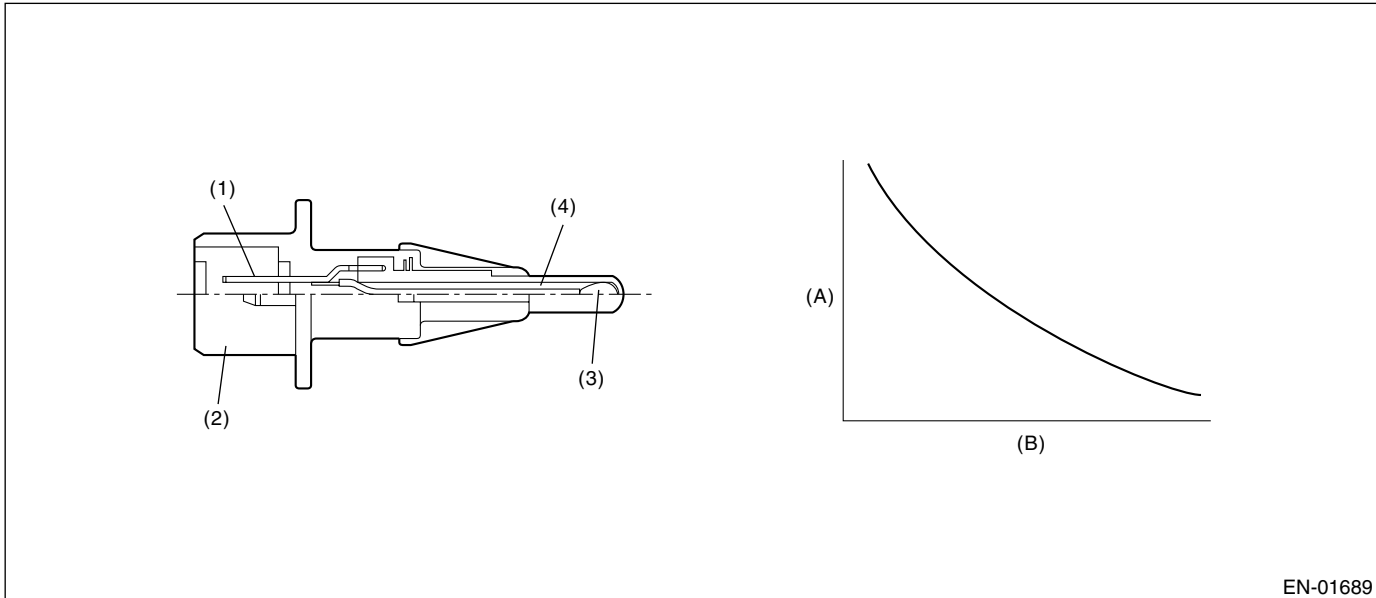
GENERAL DESCRIPTION

M: DTC P0112 — INTAKE AIR TEMPERATURE CIRCUIT LOW INPUT —

1. OUTLINE OF DIAGNOSIS

Detect the open or short circuit of intake air temperature sensor.
Judge NG when out of the standard value.

2. COMPONENT DESCRIPTION



- (1) Terminal
- (2) Connector
- (3) Thermistor
- (4) Housing

- (A) Resistance value (Ω)
- (B) Intake air temperature $^{\circ}\text{C}$ ($^{\circ}\text{F}$)

3. ENABLE CONDITION

Secondary Parameters	Enable Conditions
Engine speed	≥ 500 rpm
Battery voltage	≥ 8 V
Timer after starting the engine	≥ 1 second

4. GENERAL DRIVING CYCLE

Perform the diagnosis continuously after starting the engine.

5. DIAGNOSTIC METHOD

Judge NG when the continuous time until completing the malfunction criteria below becomes more than the time (2.5 seconds) needed for diagnosis. Judge fail safe NG when the continuous time until completing the malfunction criteria below becomes more than the time (0.1 seconds) needed for diagnosis. Judge OK and clear the NG when the malfunction criteria below are not completed.

Judgment Value

Malfunction Criteria	Threshold Value
Output voltage	≤ 0.1 V

Time Needed for Diagnosis: 2.5 seconds

Malfunction Indicator Light Illumination: Illuminates as soon as malfunction occurs.

GD(H4SO)-33

DIAGNOSTIC TROUBLE CODE (DTC) DETECTING CRITERIA

GENERAL DESCRIPTION

6. DTC CLEAR CONDITION

- When the OK idling cycle is completed 40 times in a row
- When "Clear Memory" was performed

7. MALFUNCTION INDICATOR LIGHT CLEAR CONDITION

- When the OK driving cycle is completed 3 times in a row
- When "Clear Memory" was performed

8. FAIL SAFE

Make the intake air temperature 40°C (104°F).

9. ECM OPERATION AT DTC SETTING

Memorize the freeze frame data. (For test mode \$02)

DIAGNOSTIC TROUBLE CODE (DTC) DETECTING CRITERIA

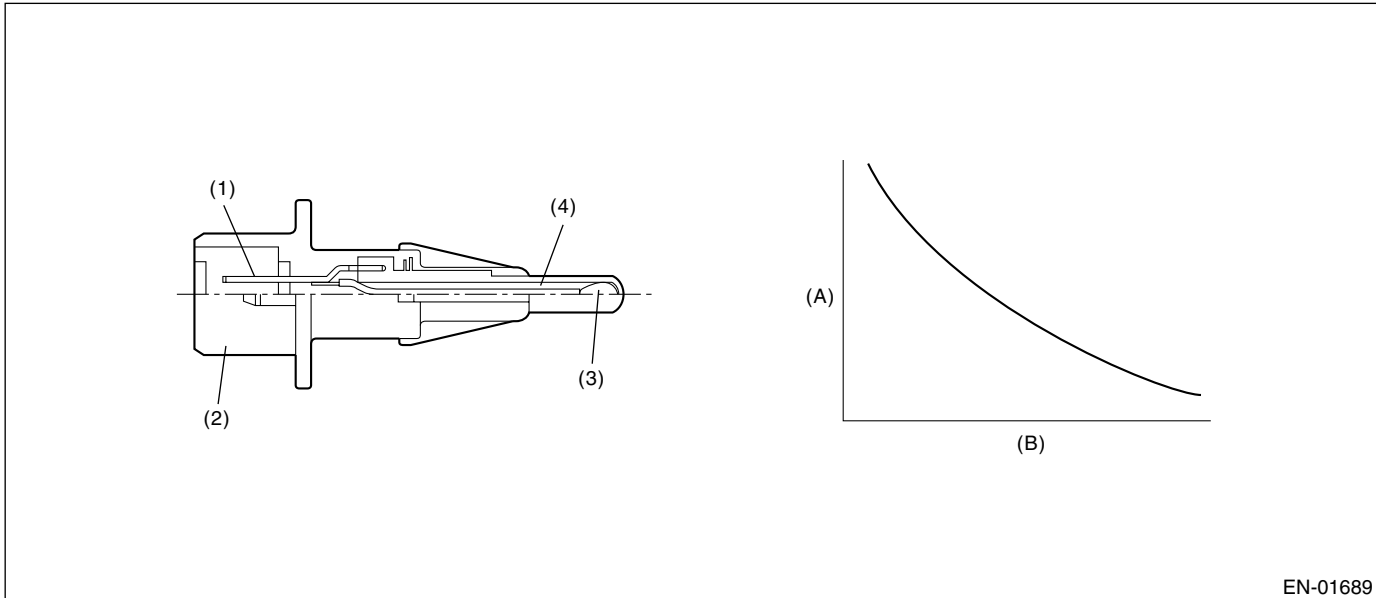
GENERAL DESCRIPTION

N: DTC P0113 — INTAKE AIR TEMPERATURE CIRCUIT HIGH INPUT —

1. OUTLINE OF DIAGNOSIS

Detect the open or short circuit of intake air temperature sensor.
Judge NG when out of the standard value.

2. COMPONENT DESCRIPTION



- (1) Terminal
- (2) Connector
- (3) Thermistor
- (4) Housing

- (A) Resistance value (Ω)
- (B) Intake air temperature $^{\circ}\text{C}$ ($^{\circ}\text{F}$)

EN-01689

3. ENABLE CONDITION

Secondary Parameters	Enable Conditions
Engine speed	≥ 500 rpm
Battery voltage	≥ 8 V
Timer after starting the engine	≥ 1 second

4. GENERAL DRIVING CYCLE

Perform the diagnosis continuously after starting the engine.

5. DIAGNOSTIC METHOD

Judge NG when the continuous time until completing the malfunction criteria below becomes more than the time (2.5 seconds) needed for diagnosis. Judge fail safe NG when the continuous time until completing the malfunction criteria below becomes more than the time (0.1 seconds) needed for diagnosis. Judge OK and clear the NG when the malfunction criteria below are not completed.

Judgment Value

Malfunction Criteria	Threshold Value
Output voltage	> 4.85 V

Time Needed for Diagnosis: 2.5 seconds

Malfunction Indicator Light Illumination: Illuminates as soon as malfunction occurs.

GD(H4SO)-35

DIAGNOSTIC TROUBLE CODE (DTC) DETECTING CRITERIA

GENERAL DESCRIPTION

6. DTC CLEAR CONDITION

- When the OK idling cycle is completed 40 times in a row
- When "Clear Memory" was performed

7. MALFUNCTION INDICATOR LIGHT CLEAR CONDITION

- When the OK driving cycle is completed 3 times in a row
- When "Clear Memory" was performed

8. FAIL SAFE

Make the intake air temperature 40°C (104°F).

9. ECM OPERATION AT DTC SETTING

Memorize the freeze frame data. (For test mode \$02)

DIAGNOSTIC TROUBLE CODE (DTC) DETECTING CRITERIA

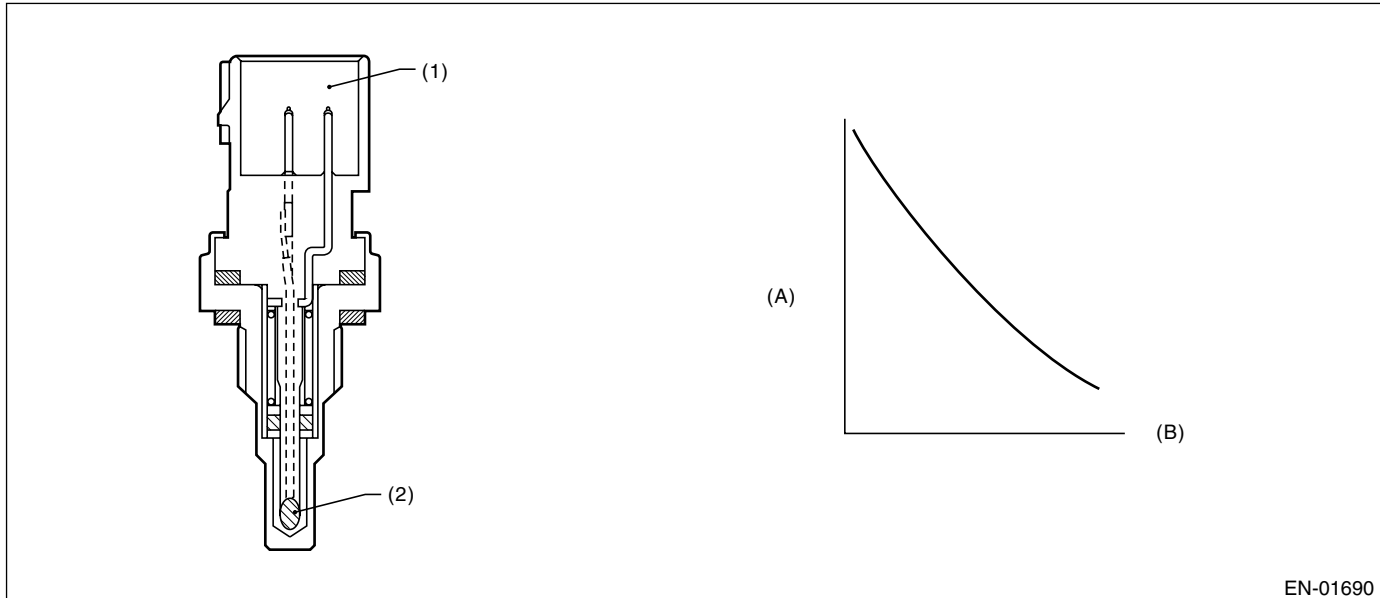
GENERAL DESCRIPTION

O: DTC P0117 — ENGINE COOLANT TEMPERATURE CIRCUIT LOW INPUT —

1. OUTLINE OF DIAGNOSIS

Detect the open or short circuit of engine coolant temperature sensor.
Judge NG when out of the standard value.

2. COMPONENT DESCRIPTION



(1) Connector

(2) Thermistor element

(A) Resistance value (kΩ)

(B) Temperature °C (°F)

3. ENABLE CONDITION

Secondary Parameters	Enable Conditions
Engine speed	≥ 500 rpm
Battery voltage	≥ 8 V
Timer after starting the engine	≥ 1 second

4. GENERAL DRIVING CYCLE

Perform the diagnosis continuously after starting the engine.

5. DIAGNOSTIC METHOD

Judge NG when the continuous time until completing the malfunction criteria below becomes more than the time (2.5 seconds) needed for diagnosis.

Judge fail safe NG when the continuous time until completing the malfunction criteria below becomes more than the time (0.2 seconds) needed for diagnosis. Judge OK and clear the NG when the malfunction criteria below are not completed.

Judgment Value

Malfunction Criteria	Threshold Value
Output voltage	≤ 0.1 V

Time Needed for Diagnosis: 2.5 seconds

Malfunction Indicator Light Illumination: Illuminates as soon as malfunction occurs.

6. DTC CLEAR CONDITION

- When the OK idling cycle was completed 40 times in a row
- When "Clear Memory" was performed

GD(H4SO)-37

DIAGNOSTIC TROUBLE CODE (DTC) DETECTING CRITERIA

GENERAL DESCRIPTION

7. MALFUNCTION INDICATOR LIGHT CLEAR CONDITION

- When the OK driving cycle was completed 3 times in a row
- When "Clear Memory" was performed

8. FAIL SAFE

Keep the engine coolant temperature at 70°C (158°F).

9. ECM OPERATION AT DTC

Memorize the freeze frame data. (For test mode \$02)

DIAGNOSTIC TROUBLE CODE (DTC) DETECTING CRITERIA

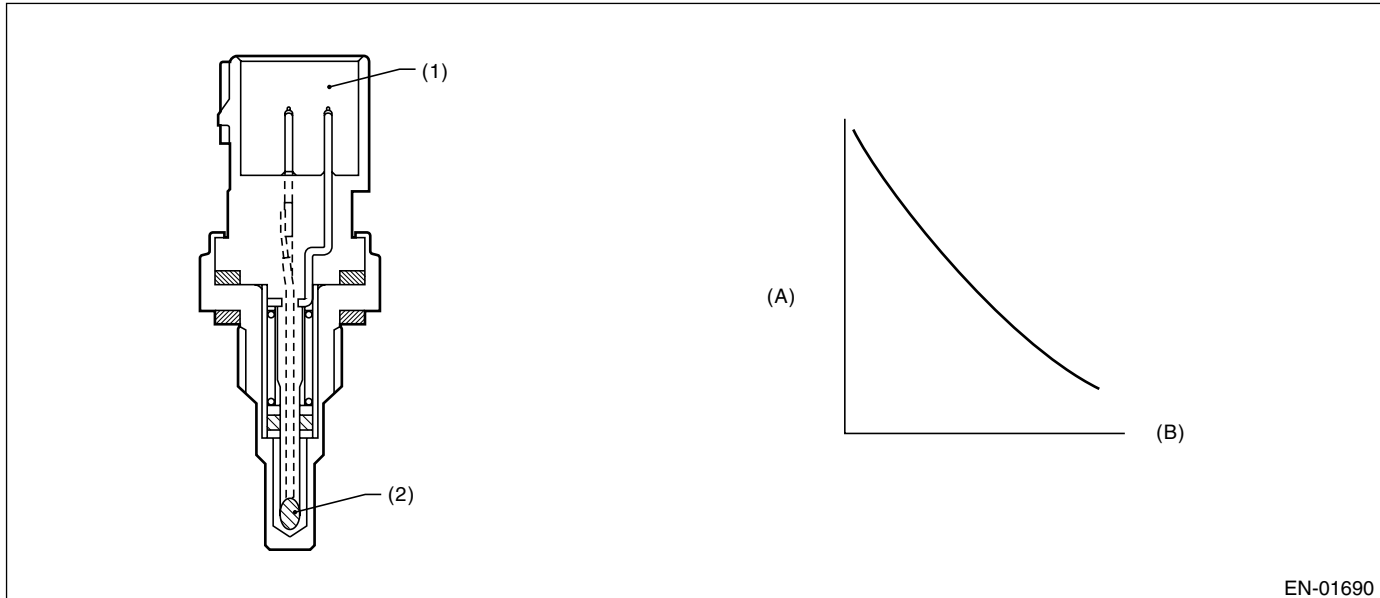
GENERAL DESCRIPTION

P: DTC P0118 — ENGINE COOLANT TEMPERATURE CIRCUIT HIGH INPUT —

1. OUTLINE OF DIAGNOSIS

Detect the open or short circuit of engine coolant temperature sensor.
Judge NG when out of the standard value.

2. COMPONENT DESCRIPTION



(1) Connector

(2) Thermistor element

(A) Resistance value (kΩ)

(B) Temperature °C (°F)

EN-01690

3. ENABLE CONDITION

Secondary Parameters	Enable Conditions
Engine speed	≥ 500 rpm
Battery voltage	≥ 8 V
Timer after starting the engine	≥ 1 second

4. GENERAL DRIVING CYCLE

Perform the diagnosis continuously after starting the engine.

5. DIAGNOSTIC METHOD

Judge NG when the continuous time until completing the malfunction criteria below becomes more than the time (2.5 seconds) needed for diagnosis.

Judge fail safe NG when the continuous time until completing the malfunction criteria below becomes more than the time (0.2 seconds) needed for diagnosis. Judge OK and clear the NG when the malfunction criteria below are not completed.

Judgment Value

Malfunction Criteria	Threshold Value
Output voltage	≥ 4.85 V

Time Needed for Diagnosis: 2.5 seconds

Malfunction Indicator Light Illumination: Illuminates as soon as malfunction occurs.

6. DTC CLEAR CONDITION

- When the OK idling cycle was completed 40 times in a row
- When "Clear Memory" was performed

GD(H4SO)-39

DIAGNOSTIC TROUBLE CODE (DTC) DETECTING CRITERIA

GENERAL DESCRIPTION

7. MALFUNCTION INDICATOR LIGHT CLEAR CONDITION

- When the OK driving cycle was completed 3 times in a row
- When "Clear Memory" was performed

8. FAIL SAFE

Keep the engine coolant temperature at 70°C (158°F).

9. ECM OPERATION AT DTC

Memorize the freeze frame data. (For test mode \$02)

DIAGNOSTIC TROUBLE CODE (DTC) DETECTING CRITERIA

GENERAL DESCRIPTION

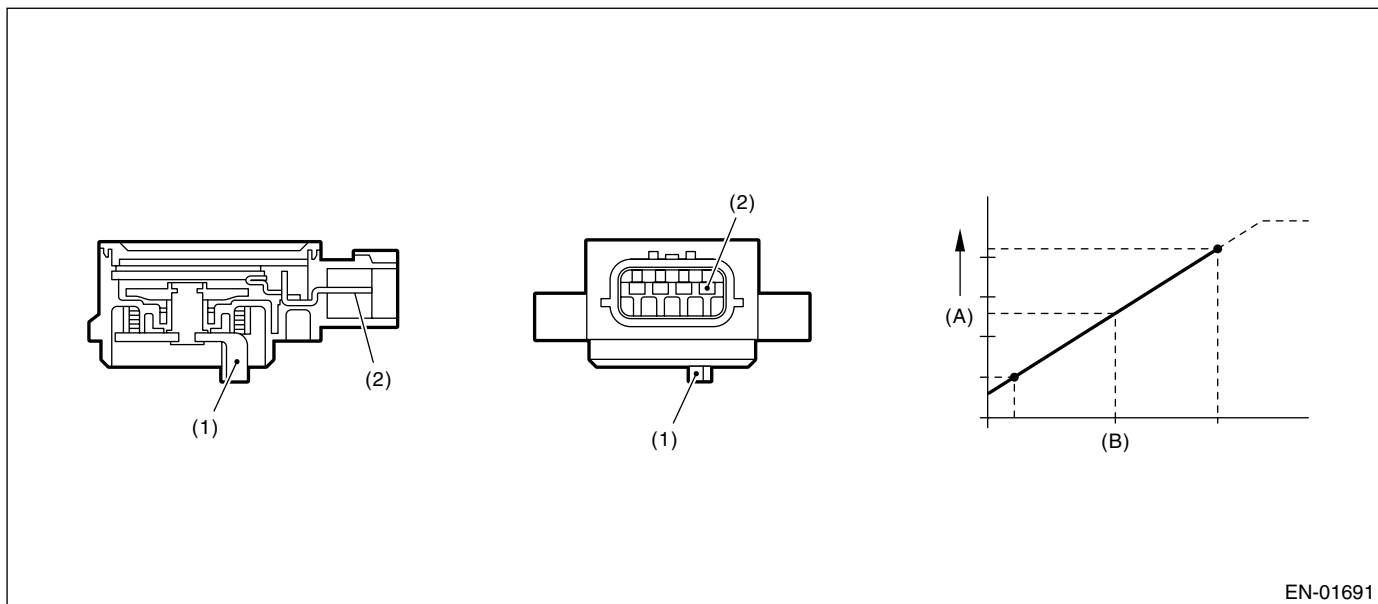
Q: DTC P0121 — THROTTLE/PEDAL POSITION SENSOR/SWITCH “A” CIRCUIT RANGE/PERFORMANCE —

1. OUTLINE OF DIAGNOSIS

Detect the malfunction of throttle position sensor output property.

Judge NG when the throttle position value is low in spite of the driving condition that accelerator pedal seems to be depressed, or when the throttle position value is high in spite of the driving condition that accelerator pedal seems to be released from engine appearance.

2. COMPONENT DESCRIPTION



EN-01691

- (1) Lever
- (2) Terminal

- (A) Output voltage
- (B) Throttle angle

3. ENABLE CONDITION

Secondary Parameters	Enable Conditions
Coolant temperature	$\geq 75^{\circ}\text{C}$ (167°F)

4. GENERAL DRIVE CYCLE

Perform the diagnosis continuously after starting engine.

DIAGNOSTIC TROUBLE CODE (DTC) DETECTING CRITERIA

GENERAL DESCRIPTION

5. DIAGNOSTIC METHOD

• Abnormality Judgment

Judge NG when the continuous time of completing the malfunction criteria of Low side or High side below becomes more than time needed for diagnosis.

Judgment Value

Malfunction Criteria	Threshold Value
(Low side)	
Output voltage	$\leq 0.75 \text{ V}$
Engine speed	$\geq 1000 \text{ rpm}$
Amount of intake air	$\geq 90 \text{ kg/h}$
Intake manifold pressure	$\geq 80 \text{ kPa}$ (600 mmHg, 24 inHg)
(High side)	
Output voltage	$\geq 1.6 \text{ V}$
Engine speed	600 — 1900 rpm
Amount of intake air	$\leq 33.8 \text{ kg/h}$
Intake manifold pressure	$\leq 47 \text{ kPa}$ (352 mmHg, 14 inHg)

Time Needed for Diagnosis:

Low side	3 seconds
High side	10 seconds

Malfunction Indicator Light Illumination: Illuminates when malfunction occurs in 2 continuous driving cycles.

• Normality Judgment

Judge OK and clear the NG when the malfunction criteria below are completed.

Judgment Value

Malfunction Criteria	Threshold Value
(Low side)	
Output voltage	$> 0.75 \text{ V}$
Engine speed	$\geq 1000 \text{ rpm}$
Amount of intake air	$\geq 90 \text{ kg/h}$
Intake manifold pressure	$\geq 80 \text{ kPa}$ (600 mmHg, 24 inHg)
(High side)	
Output voltage	$\leq 1.6 \text{ V}$
Engine speed	600 — 1900 rpm
Amount of intake air	$\leq 33.8 \text{ kg/h}$
Intake manifold pressure	$\leq 47 \text{ kPa}$ (352 mmHg, 14 inHg)

6. DTC CLEAR CONDITION

- When the OK idling cycle is completed 40 times in a row
- When "Clear Memory" was performed

7. MALFUNCTION INDICATOR LIGHT CLEAR CONDITION

- When the OK driving cycle was completed 3 times in a row
- When "Clear Memory" was performed

8. FAIL SAFE

Fix the throttle position to 6.4°.

9. ECM OPERATION AT DTC

Memorize the freeze frame data. (For test mode \$02)

GD(H4SO)-42

DIAGNOSTIC TROUBLE CODE (DTC) DETECTING CRITERIA

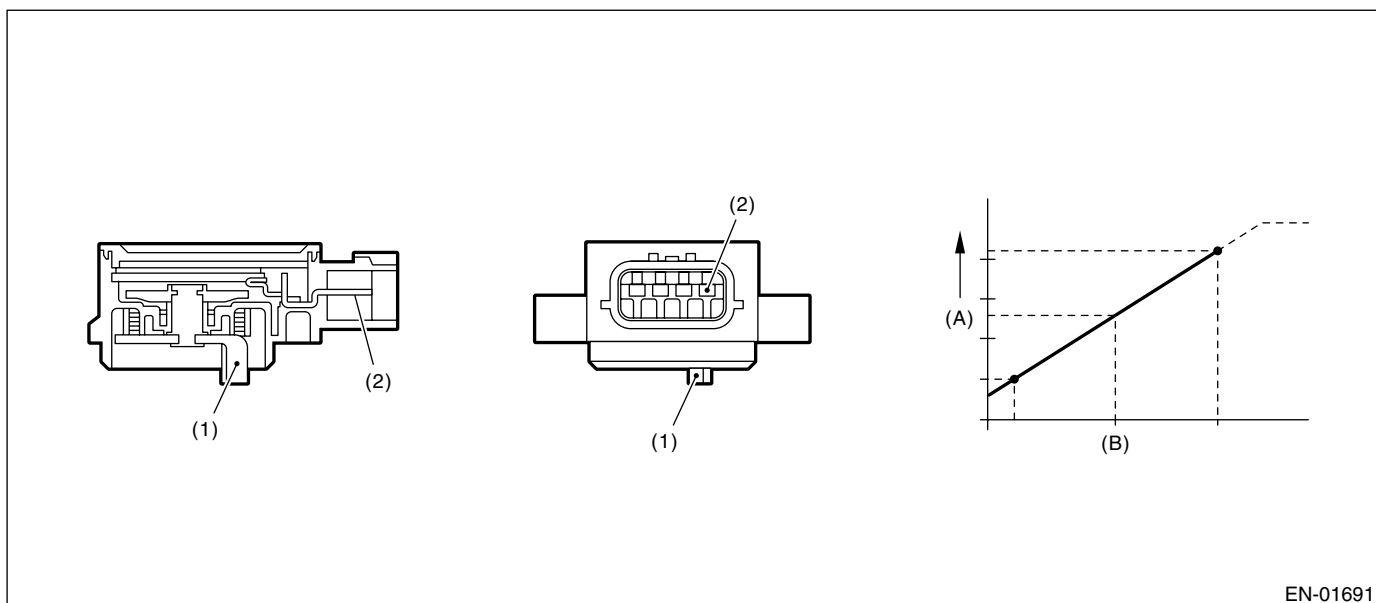
GENERAL DESCRIPTION

R: DTC P0122 — THROTTLE/PEDAL POSITION SENSOR/SWITCH “A” CIRCUIT LOW INPUT —

1. OUTLINE OF DIAGNOSIS

Detect the open or short circuit of throttle position sensor.
Judge NG when out of the standard value.

2. COMPONENT DESCRIPTION



EN-01691

(1) Lever
(2) Terminal

(A) Output voltage
(B) Throttle angle

3. ENABLE CONDITION

Secondary Parameters	Enable Conditions
Ignition switch	ON

4. GENERAL DRIVE CYCLE

Perform the diagnosis continuously.

5. DIAGNOSTIC METHOD

Judge NG when the continuous time until completing the malfunction criteria below becomes more than the time (2.5 seconds) needed for diagnosis.

Judge fail safe NG when the continuous time until completing the malfunction criteria below becomes more than the time (0.1 seconds) needed for diagnosis. Judge OK and clear the NG when the malfunction criteria below are completed.

Judgment Value

Malfunction Criteria	Threshold Value
Output voltage	≤ 0.1 V

Time Needed for Diagnosis: 2.5 seconds

Malfunction Indicator Light Illumination: Illuminates as soon as malfunction occurs.

6. DTC CLEAR CONDITION

- When the OK idling cycle is completed 40 times in a row
- When “Clear Memory” was performed

GD(H4SO)-43

DIAGNOSTIC TROUBLE CODE (DTC) DETECTING CRITERIA

GENERAL DESCRIPTION

7. MALFUNCTION INDICATOR LIGHT CLEAR CONDITION

- When the OK driving cycle was completed 3 times in a row
- When "Clear Memory" was performed

8. FAIL SAFE

Fix the throttle position to 6.4°.

9. ECM OPERATION AT DTC

Memorize the freeze frame data. (For test mode \$02)

DIAGNOSTIC TROUBLE CODE (DTC) DETECTING CRITERIA

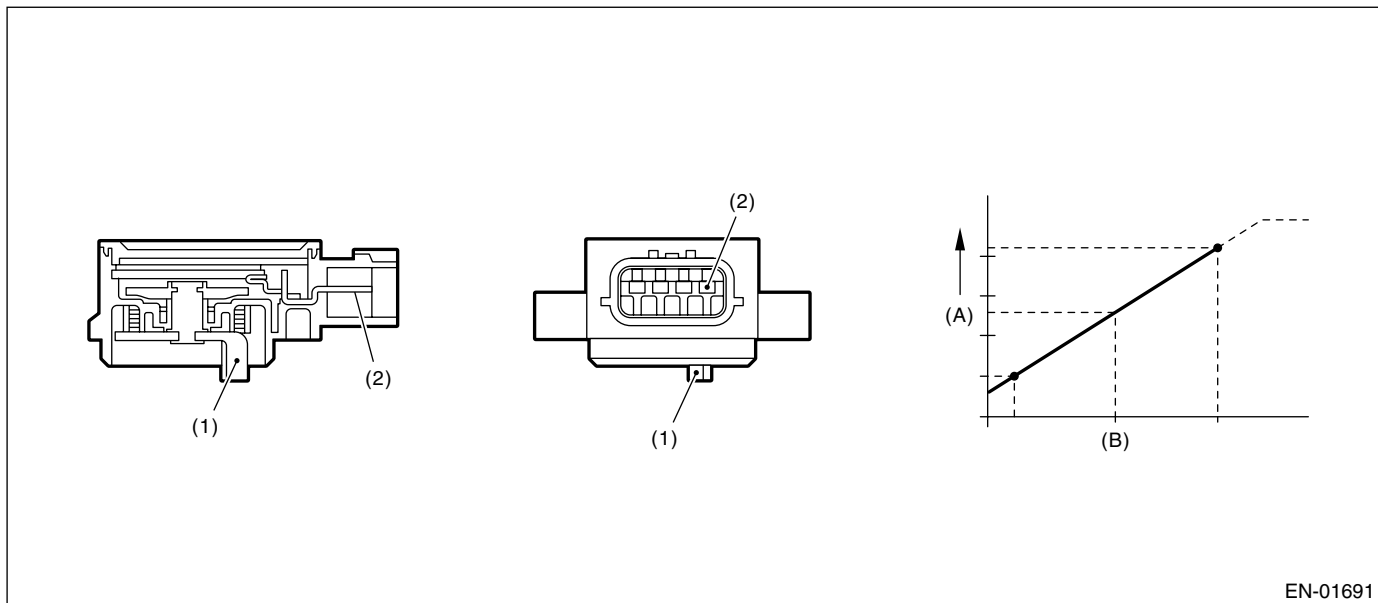
GENERAL DESCRIPTION

S: DTC P0123 — THROTTLE/PEDAL POSITION SENSOR/SWITCH “A” CIRCUIT HIGH INPUT —

1. OUTLINE OF DIAGNOSIS

Detect the open or short circuit of throttle position sensor.
Judge NG when out of the standard value.

2. COMPONENT DESCRIPTION



(1) Lever
(2) Terminal

(A) Output voltage
(B) Throttle angle

EN-01691

3. ENABLE CONDITION

Secondary Parameters	Enable Conditions
Ignition switch	ON

4. GENERAL DRIVE CYCLE

Perform the diagnosis continuously.

5. DIAGNOSTIC METHOD

Judge NG when the continuous time until completing the malfunction criteria below becomes more than the time (2.5 seconds) needed for diagnosis.

Judge fail safe NG when the continuous time until completing the malfunction criteria below becomes more than the time (0.1 seconds) needed for diagnosis. Judge OK and clear the NG when the malfunction criteria below are completed.

Judgment Value

Malfunction Criteria	Threshold Value
Output voltage	≥ 4.9 V

Time Needed for Diagnosis: 2.5 seconds

Malfunction Indicator Light Illumination: Illuminates as soon as malfunction occurs.

6. DTC CLEAR CONDITION

- When the OK idling cycle is completed 40 times in a row
- When “Clear Memory” was performed

GD(H4SO)-45

DIAGNOSTIC TROUBLE CODE (DTC) DETECTING CRITERIA

GENERAL DESCRIPTION

7. MALFUNCTION INDICATOR LIGHT CLEAR CONDITION

- When the OK driving cycle was completed 3 times in a row
- When "Clear Memory" was performed

8. FAIL SAFE

Fix the throttle position to 6.4°.

9. ECM OPERATION AT DTC

Memorize the freeze frame data. (For test mode \$02)

DIAGNOSTIC TROUBLE CODE (DTC) DETECTING CRITERIA

GENERAL DESCRIPTION

T: DTC P0125 — INSUFFICIENT COOLANT TEMPERATURE FOR CLOSED LOOP FUEL CONTROL —

1. OUTLINE OF DIAGNOSIS

Detect the malfunction of engine coolant temperature sensor output property.

Judge NG when the engine coolant temperature does not increase after engine starting in spite of the driving condition that it seems to increase.

2. ENABLE CONDITION

Secondary Parameters	Enable Conditions
Closed loop coolant temperature property diagnosis	Incomplete

3. GENERAL DRIVE CYCLE

Always perform the diagnosis until the engine coolant temperature becomes 20°C (68°F) after starting engine with cooled condition or until NG is judged once.

4. DIAGNOSTIC METHOD

Judge NG when the malfunction criteria below are completed. Judge OK and clear NG when the engine coolant temperature is more than 20°C (68°F) or more.

Judgment Value

Malfunction Criteria	Threshold Value
Engine coolant temperature	< 20°C (68°F)
Timer after starting the engine	≥ Judgment time

Judgment time: Find from minimum engine coolant temperature.

Minimum engine coolant temperature °C (°F)	-30 (-22)	0 (32)	30 (86)	60 (140)	64.25 (147.65)
Judgment time (second)	630.05	429.5	228.95	28.4	0

Time Needed for Diagnosis: Change at minimum engine coolant temperature.

Malfunction Indicator Light Illumination: Illuminates when malfunction occurs in 2 continuous driving cycles.

5. DTC CLEAR CONDITION

- When the OK idling cycle was completed 40 times in a row
- When "Clear Memory" was performed

6. MALFUNCTION INDICATOR LIGHT CLEAR CONDITION

- When the OK driving cycle was completed 3 times in a row
- When "Clear Memory" was performed

7. FAIL SAFE

Keep engine coolant temperature at 70°C (158°F).

8. ECM OPERATION AT DTC

Memorize the freeze frame data. (For test mode \$02)

GD(H4SO)-47

DIAGNOSTIC TROUBLE CODE (DTC) DETECTING CRITERIA

GENERAL DESCRIPTION

U: DTC P0128 — COOLANT THERMOSTAT (COOLANT TEMPERATURE BELOW THERMOSTAT REGULATING TEMPERATURE) —

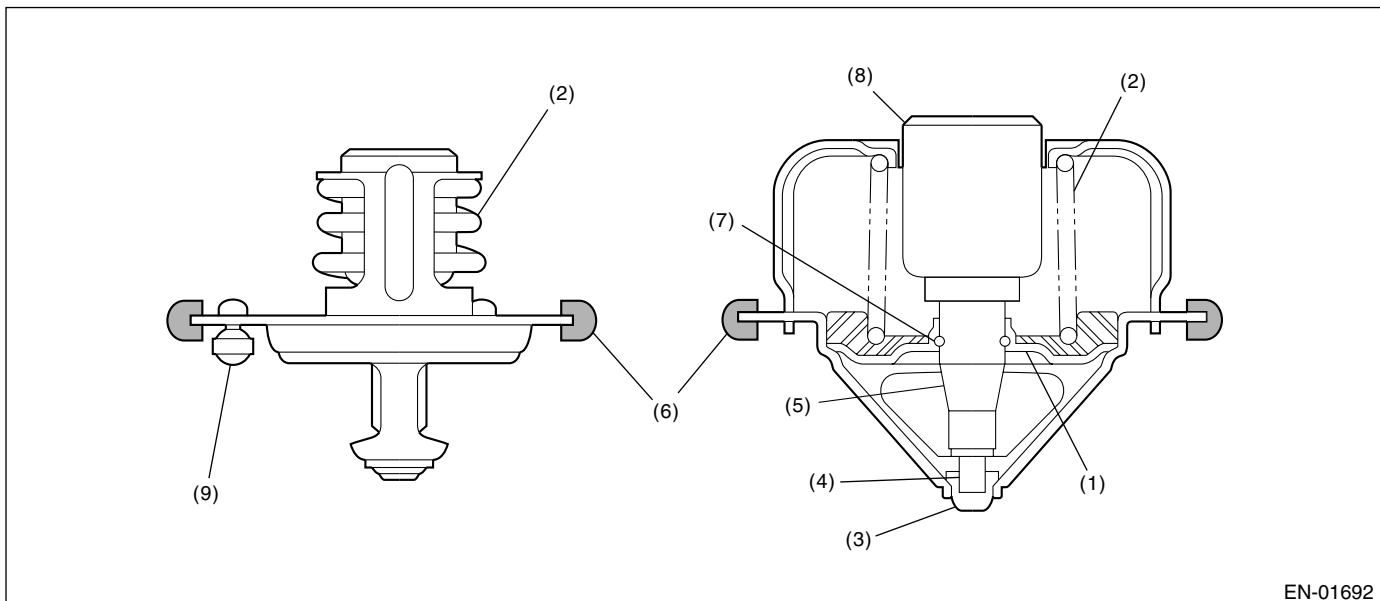
1. OUTLINE OF DIAGNOSIS

Detect the malfunction of thermostat.

Thermostat open fixing may result in overcooling. Therefore, engine coolant temperature becomes low and the control is unable under theoretical air fuel ratio, so the exhaust deteriorate. Furthermore, it is impossible to perform the other diagnosis if the engine coolant temperature does not rise. For these reasons, thermostat open fixing diagnosis should be conducted.

Judge NG when the estimated engine coolant temperature is higher than engine coolant temperature and the difference between them is large. Judge OK when the engine coolant temperature becomes 75°C (167°F) before judging NG.

2. COMPONENT DESCRIPTION



- | | |
|-------------|--------------------|
| (1) Valve | (6) Rubber packing |
| (2) Spring | (7) Stop ring |
| (3) Stopper | (8) Wax element |
| (4) Piston | (9) Jiggle valve |
| (5) Guide | |

3. ENABLE CONDITION

Secondary Parameters	Enable Conditions
Ambient air temperature	$\geq -7^{\circ}\text{C}$ (19°F)
Engine coolant temperature at engine starting	$< 55^{\circ}\text{C}$ (131°F)

4. GENERAL DRIVING CYCLE

After starting the engine at cool condition, always perform the diagnosis until the engine coolant temperature becomes more than 75°C (167°F).

GD(H4SO)-48

DIAGNOSTIC TROUBLE CODE (DTC) DETECTING CRITERIA

GENERAL DESCRIPTION

5. DIAGNOSTIC METHOD

Judge NG when the estimated engine coolant temperature comes to 75°C (167°F) before the engine coolant temperature becomes 75°C (167°F) and the difference between them becomes more than 30°C (86°F). Judge OK when the engine coolant temperature comes to 75°C (167°F) before judging NG.

• Abnormality Judgment

Judge NG when the cumulative time becomes more than 30 seconds after completing all the malfunction criteria below.

Judgment Value

Malfunction Criteria	Threshold Value
(Estimated-measured) coolant temperature	> 30°C (86°F)
Engine coolant temperature	< 75°C (167°F)
Estimated coolant temperature	≥ 75°C (167°F)
Vehicle speed	≥ 40 km/h (25 MPH)
Injector pulse	≥ 1.92 milliseconds

Time Needed for Diagnosis: 30 seconds

Malfunction Indicator Light Illumination: Illuminates when malfunction occurs in 2 continuous driving cycles.

• Normality Judgment

Judge OK and clear the NG when all the malfunction criteria below are completed.

Judgment Value

Malfunction Criteria	Threshold Value
(Estimated-measured) coolant temperature	≤ 30°C (86°F)
Engine coolant temperature	≥ 75°C (167°F)

6. DTC CLEAR CONDITION

- When the OK idling cycle is completed 40 times in a row
- When "Clear Memory" was performed

7. MALFUNCTION INDICATOR LIGHT CLEAR CONDITION

- When the OK driving cycle is completed 3 times in a row
- When "Clear Memory" was performed

8. FAIL SAFE

None

9. ECM OPERATION AT DTC SETTING

- Memorize the freeze frame data. (For test mode \$02)
- Memorize the diagnostic value and trouble standard value. (For test mode \$06)

DIAGNOSTIC TROUBLE CODE (DTC) DETECTING CRITERIA

GENERAL DESCRIPTION

V: DTC P0129 — BAROMETRIC PRESSURE TOO LOW —

1. OUTLINE OF DIAGNOSIS

Detect the malfunction of atmospheric pressure sensor output property.

Intake manifold pressure and atmospheric pressure are the same from turning the IG key to ON to turning the start SW to ON. Therefore, compare the pressure from intake manifold pressure and atmospheric pressure sensors, and then judge NG when their difference is large.

2. COMPONENT DESCRIPTION

Atmospheric pressure sensor is built in ECM.

3. ENABLE CONDITION

Secondary Parameters	Enable Conditions
Ignition switch	ON
Neutral switch	ON
Engine speed	< 500 rpm
Vehicle speed	< 2 km/h (1 MPH)
Start SW	OFF
(Max-min) manifold absolute pressure output	< 1.2 kPa (9 mmHg, 0.4 inHg)
Atmospheric Pressure Sensor Circuit Range/Performance diagnosis	Not yet.

4. GENERAL DRIVING CYCLE

Perform the diagnosis only once from the IG key turned to ON to the start SW turned to ON.

5. DIAGNOSTIC METHOD

Judge NG when the continuous time until completing the malfunction criteria below becomes more than the time (0.1 seconds) needed for diagnosis. Judge OK when the malfunction criteria below are not completed.

Judgment Value

Malfunction Criteria	Threshold Value
Atmospheric-manifold absolute pressure	≥ 27 kPa (200 mmHg, 8 inHg)

Time Needed for Diagnosis: 0.1 seconds

Malfunction Indicator Light Illumination: Illuminates when malfunction occurs in 2 continuous driving cycles.

6. DTC CLEAR CONDITION

- When the OK idling cycle is completed 40 times in a row
- When "Clear Memory" was performed

7. MALFUNCTION INDICATOR LIGHT CLEAR CONDITION

- When the OK driving cycle is completed 3 times in a row
- When "Clear Memory" was performed

8. FAIL SAFE

Make the atmospheric pressure 101 kPa (760 mmHg, 29.8 inHg).

9. ECM OPERATION AT DTC SETTING

Memorize the freeze frame data. (For test mode \$02)

DIAGNOSTIC TROUBLE CODE (DTC) DETECTING CRITERIA

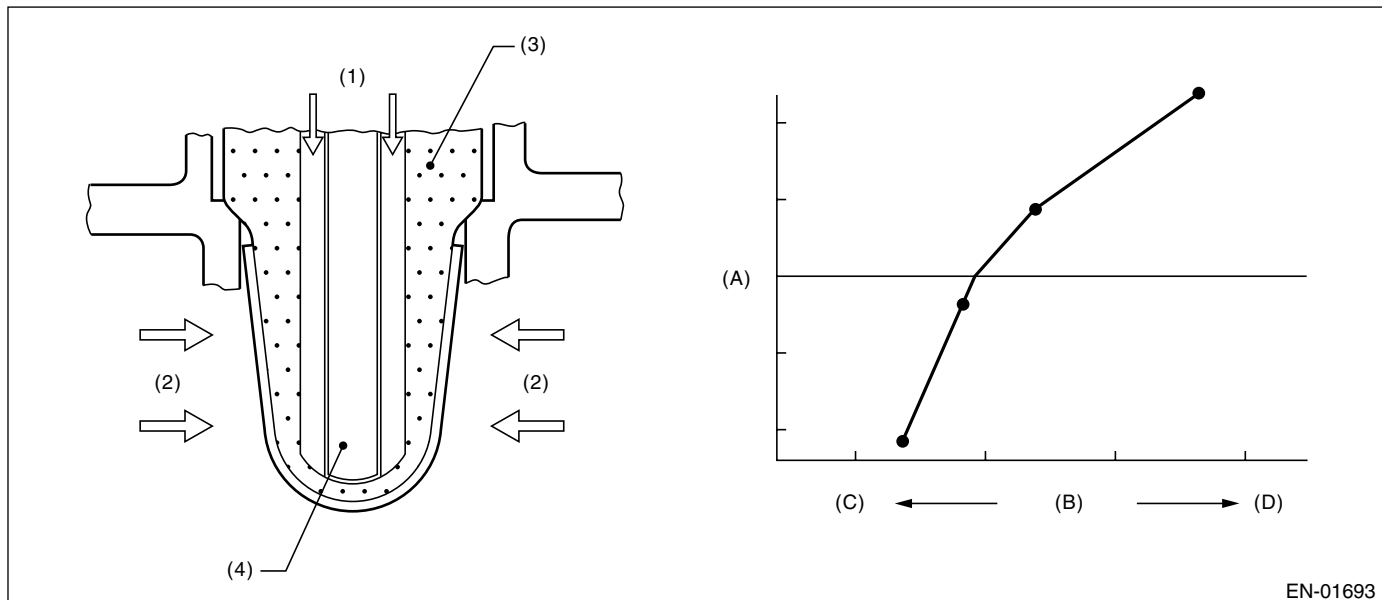
GENERAL DESCRIPTION

W: DTC P0130 — O₂ SENSOR CIRCUIT (BANK 1 SENSOR 1) —

1. OUTLINE OF DIAGNOSIS

Detect the malfunction of front oxygen (A/F) sensor output property.
Judge NG when the front oxygen (A/F) sensor output continues to be lean.

2. COMPONENT DESCRIPTION



- (1) Atmosphere
- (2) Exhaust gas
- (3) ZrO₂
- (4) Ceramic heater

- (A) Electromotive force
- (B) Air fuel ratio
- (C) Lean
- (D) Rich

3. ENABLE CONDITION

Secondary Parameters	Enable Conditions
Closed loop control	In operation
Fuel shut-off event	Not in operation
Misfire rate during 200 engine revs.	≤ 1.0%
After engine starting	230 seconds or more
Engine coolant temperature	≥ 75°C (167°F)
Fuel level	≥ 9 ℓ (2.4 US gal, 2.0 Imp gal)

4. GENERAL DRIVING CYCLE

Perform the diagnosis continuously in 200 seconds after engine starting.

DIAGNOSTIC TROUBLE CODE (DTC) DETECTING CRITERIA

GENERAL DESCRIPTION

5. DIAGNOSTIC METHOD

• Abnormality Judgment

Judge NG when the continuous time of completing all the malfunction criteria below becomes more than the time (10 seconds) needed for diagnosis

Judgment Value

Malfunction Criteria	Threshold Value
A/F sensor output (VAF)	> 2.3 V (lean)
Lambda fudge factor (LAMBDA)	= Rich clamp at MAX limiter (1.375)

Time Needed for Diagnosis: 10 seconds

Malfunction Indicator Light Illumination: Illuminates as soon as malfunction occurs.

• Normality Judgment

Judge OK when the cumulative time until completing all the malfunction criteria below becomes more than the time (10 seconds) needed for diagnosis

Judgment Value

Malfunction Criteria	Threshold Value
A/F sensor output (VAF)	≤ 2.3 V

6. DTC CLEAR CONDITION

- When the OK idling cycle was completed 40 times in a row
- When "Clear Memory" was performed

7. MALFUNCTION INDICATOR LIGHT CLEAR CONDITION

- When the OK driving cycle was completed 3 times in a row
- When "Clear Memory" was performed

8. FAIL SAFE

None

9. ECM OPERATION AT DTC SETTING

Memorize the freeze frame data. (For test mode \$02)

DIAGNOSTIC TROUBLE CODE (DTC) DETECTING CRITERIA

GENERAL DESCRIPTION

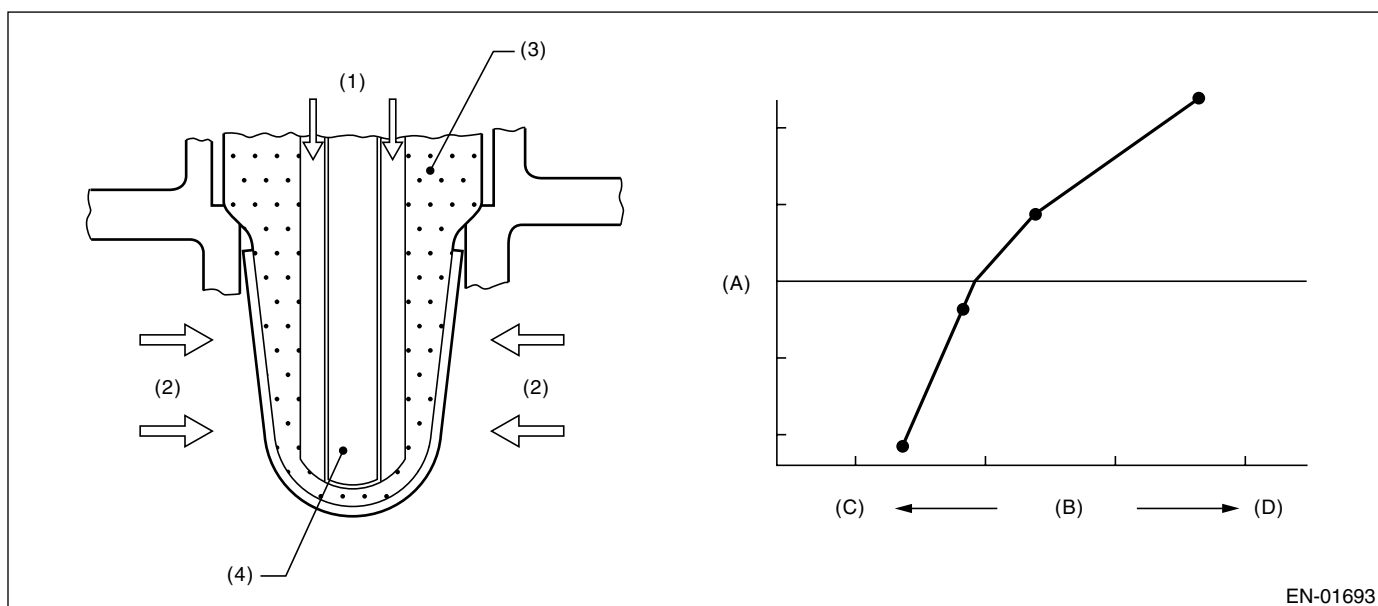
X: DTC P0131 — O₂ SENSOR CIRCUIT LOW VOLTAGE (BANK 1 SENSOR 1) —

1. OUTLINE OF DIAGNOSIS

Detect the low voltage short circuit of front oxygen (A/F) sensor.

Diagnosis is performed using A/F microcomputer, and communication is established between A/F microcomputer and main microcomputer. Judge NG when the data of low voltage short circuit NG is transmitted.

2. COMPONENT DESCRIPTION



- (1) Atmosphere
- (2) Exhaust gas
- (3) ZrO₂
- (4) Ceramic heater

- (A) Electromotive force
- (B) Air fuel ratio
- (C) Lean
- (D) Rich

3. ENABLE CONDITION

Secondary Parameters	Enable Conditions
Front oxygen (A/F) sensor diagnosis	Incomplete

4. GENERAL DRIVING CYCLE

Terminate the diagnosis if the open circuit, low voltage short circuit or high voltage short circuit becomes NG once by performing diagnosis continuously.

5. DIAGNOSTIC METHOD

Judge NG when the malfunction criteria below is completed.

Judgment Value

Malfunction Criteria	Threshold Value
AFV voltage ≤ 0.3 V	Continue for 4.02 seconds or more
OR; AFC voltage ≤ 0.4 V	Continue for 4.02 seconds or more.

Time Needed for Diagnosis: 4.02 seconds

Malfunction Indicator Light Illumination: Illuminates as soon as malfunction occurs.

DIAGNOSTIC TROUBLE CODE (DTC) DETECTING CRITERIA

GENERAL DESCRIPTION

6. DTC CLEAR CONDITION

- When the OK idling cycle was completed 40 times in a row
- When "Clear Memory" was performed

7. MALFUNCTION INDICATOR LIGHT CLEAR CONDITION

- When the OK driving cycle was completed 3 times in a row
- When "Clear Memory" was performed

8. FAIL SAFE

None

9. ECM OPERATION AT DTC SETTING

Memorize the freeze frame data. (For test mode \$02)

DIAGNOSTIC TROUBLE CODE (DTC) DETECTING CRITERIA

GENERAL DESCRIPTION

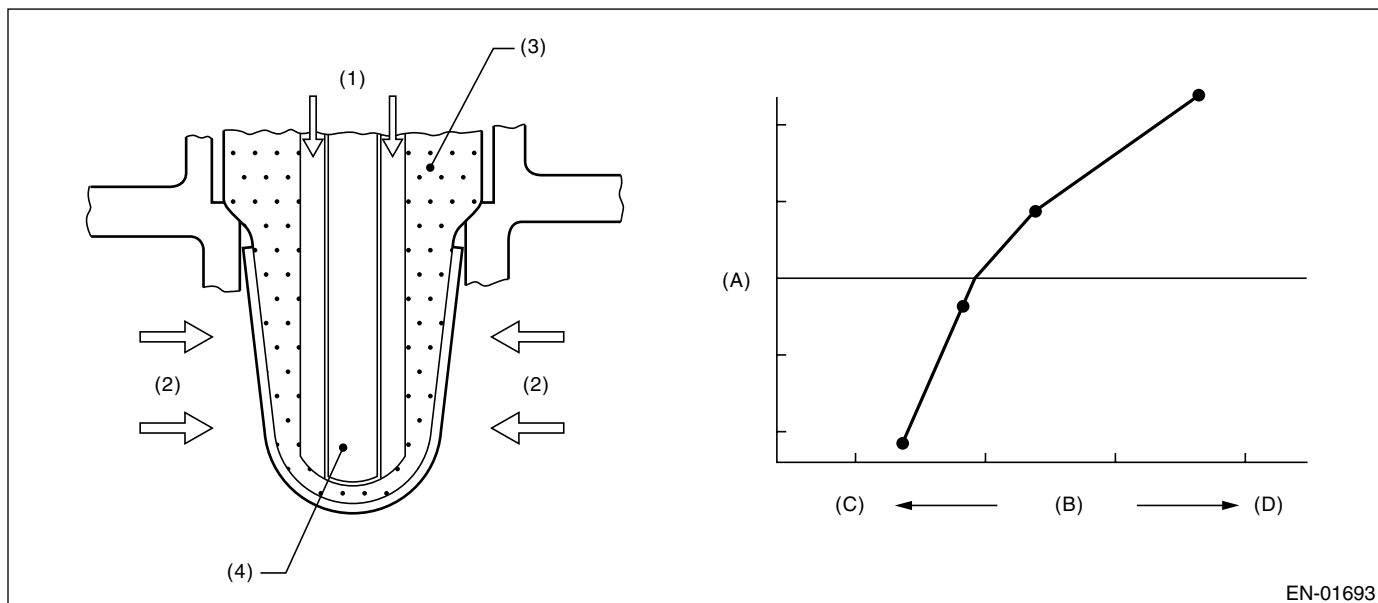
Y: DTC P0132 — O₂ SENSOR CIRCUIT HIGH VOLTAGE (BANK 1 SENSOR 1) —

1. OUTLINE OF DIAGNOSIS

Detect the high voltage short circuit of front oxygen (A/F) sensor.

Diagnosis is performed using A/F microcomputer, and communication is established between A/F microcomputer and main microcomputer. Judge NG when the data of high voltage short circuit NG is transmitted.

2. COMPONENT DESCRIPTION



- (1) Atmosphere
- (2) Exhaust gas
- (3) ZrO₂
- (4) Ceramic heater

- (A) Electromotive force
- (B) Air fuel ratio
- (C) Lean
- (D) Rich

3. ENABLE CONDITION

Secondary Parameters	Enable Conditions
Front oxygen (A/F) sensor diagnosis	Incomplete

4. GENERAL DRIVING CYCLE

Terminate the diagnosis if the open circuit, low voltage short circuit or high voltage short circuit becomes NG once by performing diagnosis continuously.

5. DIAGNOSTIC METHOD

Judge NG when the malfunction criteria below is completed.

Judgment Value

Malfunction Criteria	Threshold Value
AFV voltage ≥ 4.4 V or AFC voltage ≥ 4.4 V,	Continue for 4.02 seconds or more
OR; heater current ≥ 23 A during heater continuity,	
AND; AFV / AFC	Continue for 385 minutes or more
	VB short

Time Needed for Diagnosis: 4.02 seconds

Malfunction Indicator Light Illumination: Illuminates as soon as malfunction occurs.

GD(H4SO)-55

DIAGNOSTIC TROUBLE CODE (DTC) DETECTING CRITERIA

GENERAL DESCRIPTION

6. DTC CLEAR CONDITION

- When the OK idling cycle was completed 40 times in a row
- When "Clear Memory" was performed

7. MALFUNCTION INDICATOR LIGHT CLEAR CONDITION

- When the OK driving cycle was completed 3 times in a row
- When "Clear Memory" was performed

8. FAIL SAFE

None

9. ECM OPERATION AT DTC SETTING

Memorize the freeze frame data. (For test mode \$02)

DIAGNOSTIC TROUBLE CODE (DTC) DETECTING CRITERIA

GENERAL DESCRIPTION

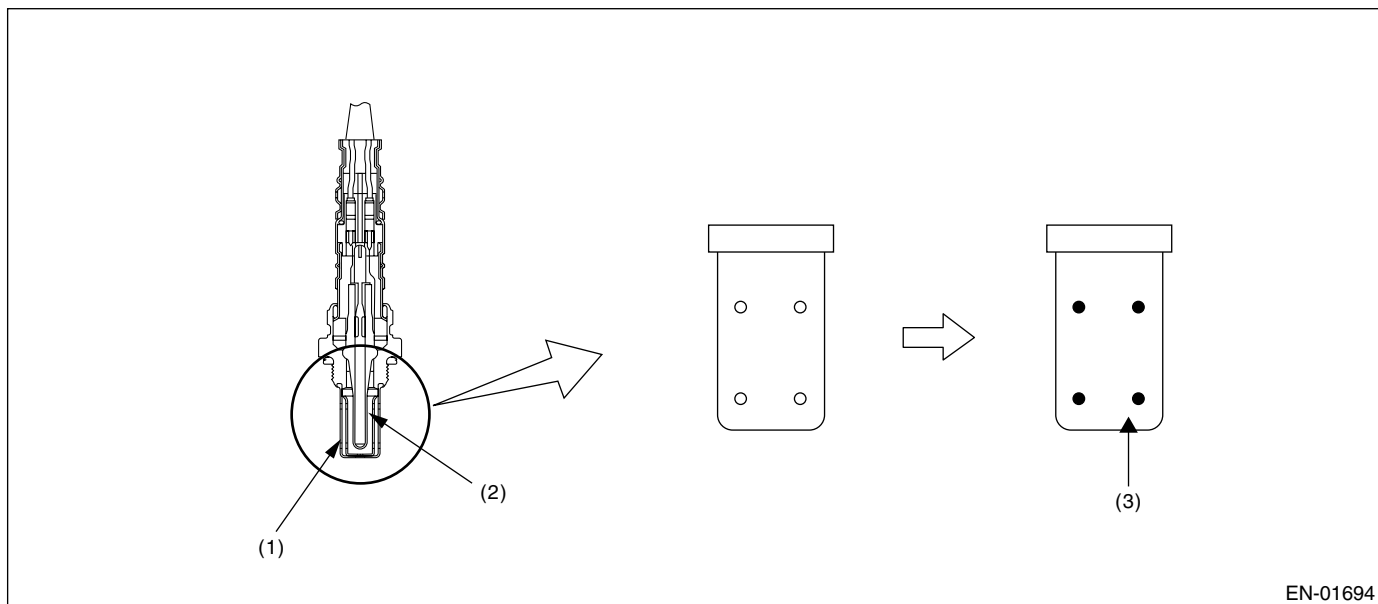
Z: DTC P0133 — O₂ SENSOR CIRCUIT SLOW RESPONSE (BANK 1 SENSOR 1)

1. OUTLINE OF DIAGNOSIS

Detect the slow response of front oxygen (A/F) sensor.

Front oxygen (A/F) sensor cover has some ventilation holes for exhaust gas. Clogged ventilation holes are diagnosed.

When the holes are clogged, the A/F output variation becomes slow comparing with the actual A/F variation because oxygen which reaches the zirconia layer is insufficient. Therefore, if the cover has clogged holes, the rich to lean judgment in ECM is delayed when the change from rich to lean is caused.



- (1) Cover
- (2) Zirconia
- (3) Clogging

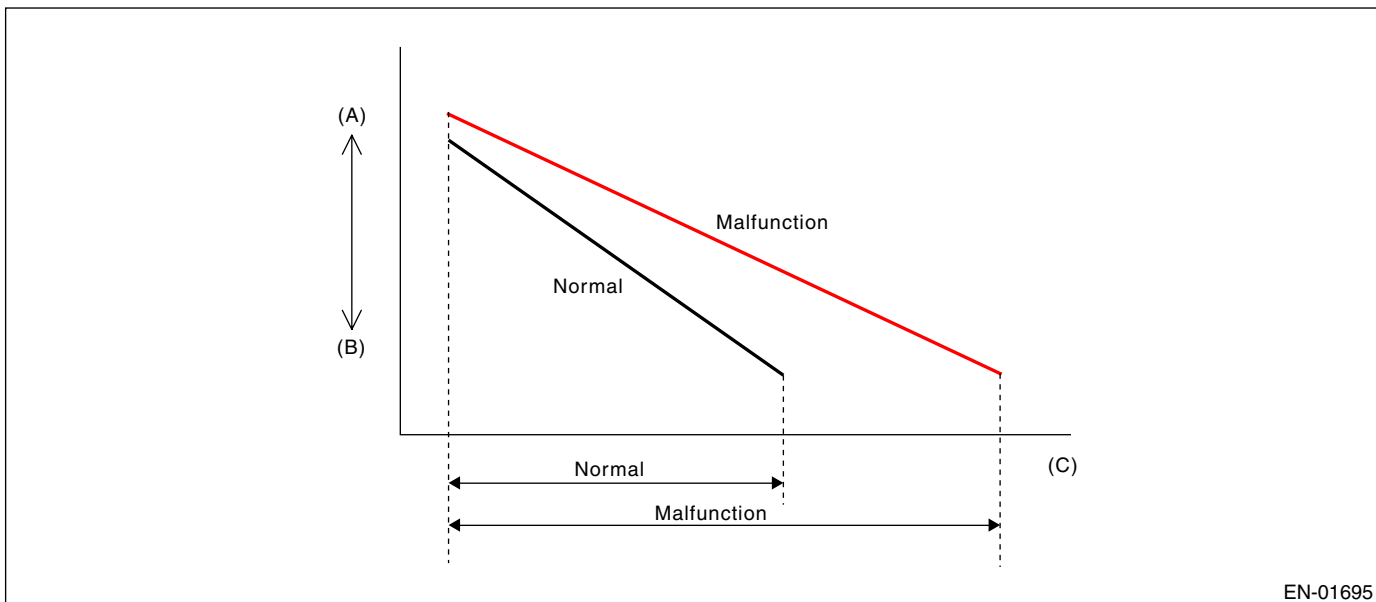
GD(H4SO)-57

DIAGNOSTIC TROUBLE CODE (DTC) DETECTING CRITERIA

GENERAL DESCRIPTION

When abnormal, the variation period from rich to lean is longer than when normal, as shown in the figure below.

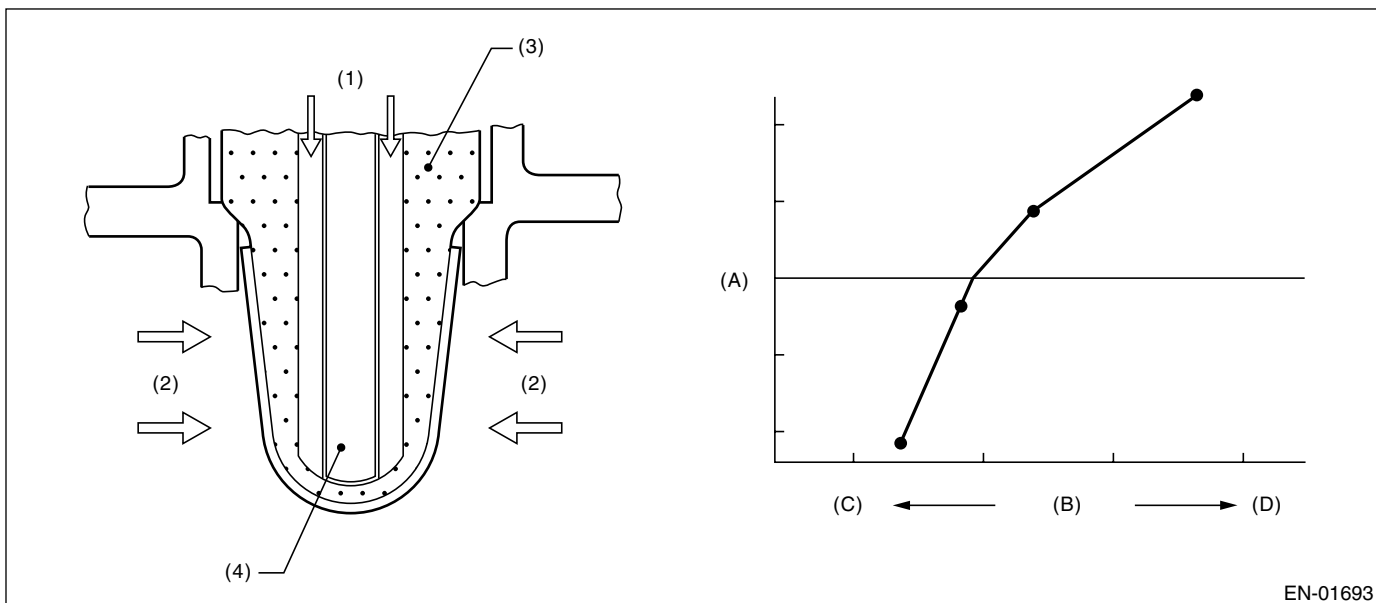
When the condition is completed, the variation time from rich to lean and vice versa is calculated by varying the desired A/F value. Judge NG when the period is long.



EN-01695

- (A) Rich
- (B) Lean
- (C) Time

2. COMPONENT DESCRIPTION



EN-01693

- | | |
|----------------------|-------------------------|
| (1) Atmosphere | (A) Electromotive force |
| (2) Exhaust | (B) Air fuel ratio |
| (3) ZrO ₂ | (C) Lean |
| (4) Ceramic heater | (D) Rich |

GD(H4SO)-58

DIAGNOSTIC TROUBLE CODE (DTC) DETECTING CRITERIA

GENERAL DESCRIPTION

3. ENABLE CONDITION

Secondary Parameter	Enable Condition
Closed loop control	In operation
Average lambda	0.703 ↔ 1.375
After starting the engine	225 seconds or more
Engine coolant temperature	≥ 75°C (167°F)
Injector pulse	1.792 ↔ 4.032 milliseconds
Engine speed	1800 ↔ 3000 rpm
Vehicle speed	≥ 76 km/h (47 MPH)
Atmospheric air pressure	≥ 76 kPa (568 mmHg, 22 inHg)
Throttle position change for 90 milliseconds	< 1.60°
Impedance of lambda sensor	10 ↔ 40 Ω
Misfire rate at engine 200 rev.	≤ 1.0%
A/F sensor response diagnosis	Incomplete
Idle SW	OFF

4. GENERAL DRIVING CYCLE

Perform diagnosis constantly at 80 km/h (50 MPH) just once in 225 seconds after starting the engine.

5. DIAGNOSTIC METHOD

When enable conditions are completed, measure the A/F sensor output A/F value variation period by changing air fuel ratio desired value to lean and rich. Judge NG when this period is long. Judge OK when this period is short.

Judge NG when the malfunction criteria below is completed. Judge OK when the malfunction criteria below is not completed.

Judgment Value

Malfunction Criteria	Threshold Value
Average time of 5 changes from rich to lean, and from lean to rich	> See Map 5
Response time when noise is detected is not used as data.	

Map 5

Engine Speed (Ne) (rpm)	1.75 ≤ TP < 2.25 (milliseconds)	2.25 ≤ TP < 2.75 (milliseconds)	2.75 ≤ TP < 3.19 (milliseconds)	3.19 ≤ TP (milliseconds)
1800 ≤ Ne < 2100	1898	1731	1658	1591
2100 ≤ Ne < 2500	1720	1570	1540	1530
2500 ≤ Ne < 3000	1674	1535	1499	1478
3000 ≤ Ne	1674	1535	1499	1478

Time Needed for Diagnosis: 2 to 12 seconds

Malfunction Indicator Light Illumination: Illuminates when malfunction occurs in 2 continuous driving cycles.

6. DTC CLEAR CONDITION

- When the OK idling cycle was completed 40 times in a row
- When "Clear Memory" was performed

7. MALFUNCTION INDICATOR LIGHT CLEAR CONDITION

- When the OK driving cycle was completed 3 times in a row
- When "Clear Memory" was performed

GD(H4SO)-59

DIAGNOSTIC TROUBLE CODE (DTC) DETECTING CRITERIA

GENERAL DESCRIPTION

8. FAIL SAFE

None

9. ECM OPERATION AT DTC SETTING

- Memorize the freeze frame data. (For test mode \$02)
- Memorize the diagnostic value and trouble standard value. (For test mode \$06)

GD(H4SO)-60

DIAGNOSTIC TROUBLE CODE (DTC) DETECTING CRITERIA

GENERAL DESCRIPTION

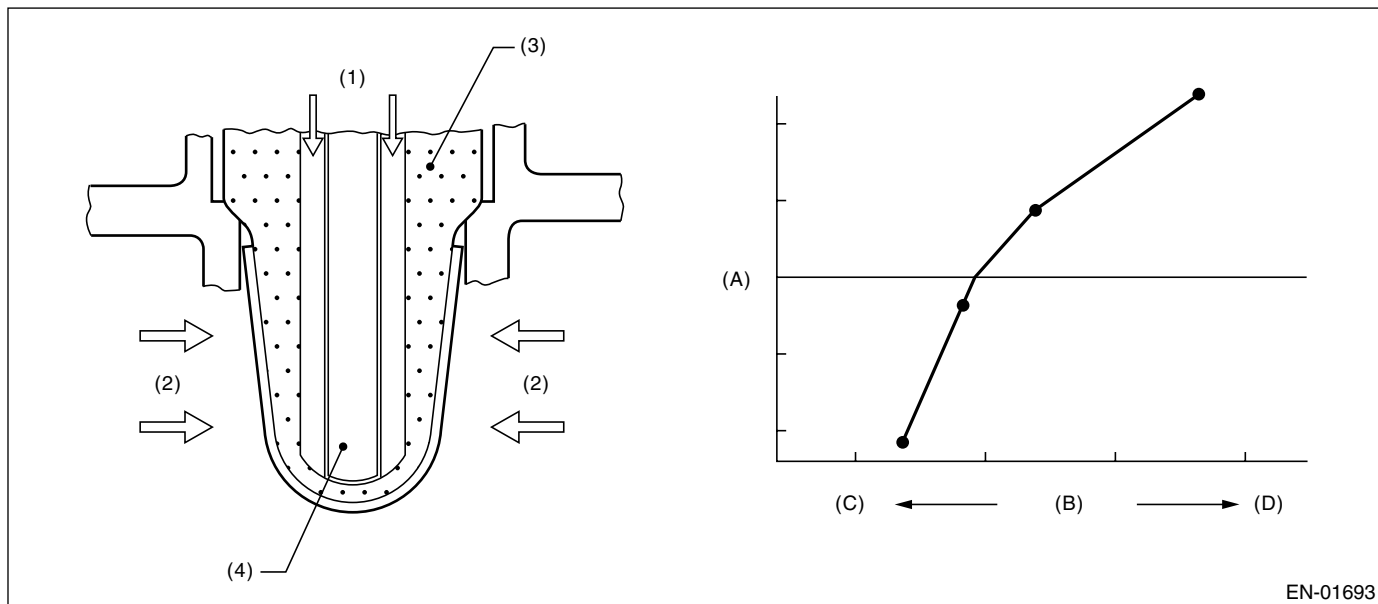
AA: DTC P0134 — O₂ SENSOR CIRCUIT NO ACTIVITY DETECTED (BANK 1 SENSOR 1) —

1. OUTLINE OF DIAGNOSIS

Detect the open circuit of front oxygen (A/F) sensor.

Diagnosis is performed using A/F microcomputer, and communication is established between A/F microcomputer and main microcomputer. Judge NG when the data of open circuit NG is transmitted.

2. COMPONENT DESCRIPTION



- (1) Atmosphere
- (2) Exhaust gas
- (3) ZrO₂
- (4) Ceramic heater

- (A) Electromotive force
- (B) Air fuel ratio
- (C) Lean
- (D) Rich

3. ENABLE CONDITION

Secondary Parameters	Enable Conditions
Front oxygen (A/F) sensor diagnosis	Incomplete

4. GENERAL DRIVING CYCLE

Terminate the diagnosis if the open circuit, low voltage short circuit or high voltage short circuit becomes NG once by performing diagnosis continuously.

5. DIAGNOSTIC METHOD

Judge NG when all the malfunction criteria below is completed.

Judgment Value

Malfunction Criteria	Threshold Value
Heater control	In operation
Target heater power = 25 W	Continues more than 5 seconds
Element resistance $\geq 250 \Omega$	Continues more than 5 seconds

Time Needed for diagnosis: 5 seconds

Malfunction Indicator Light Illumination: Illuminates as soon as malfunction occurs.

GD(H4SO)-61

DIAGNOSTIC TROUBLE CODE (DTC) DETECTING CRITERIA

GENERAL DESCRIPTION

6. DTC CLEAR CONDITION

- When the OK idling cycle was completed 40 times in a row
- When "Clear Memory" was performed

7. MALFUNCTION INDICATOR LIGHT CLEAR CONDITION

- When the OK driving cycle was completed 3 times in a row
- When "Clear Memory" was performed

8. FAIL SAFE

None

9. ECM OPERATION AT DTC SETTING

Memorize the freeze frame data. (For test mode \$02)

DIAGNOSTIC TROUBLE CODE (DTC) DETECTING CRITERIA

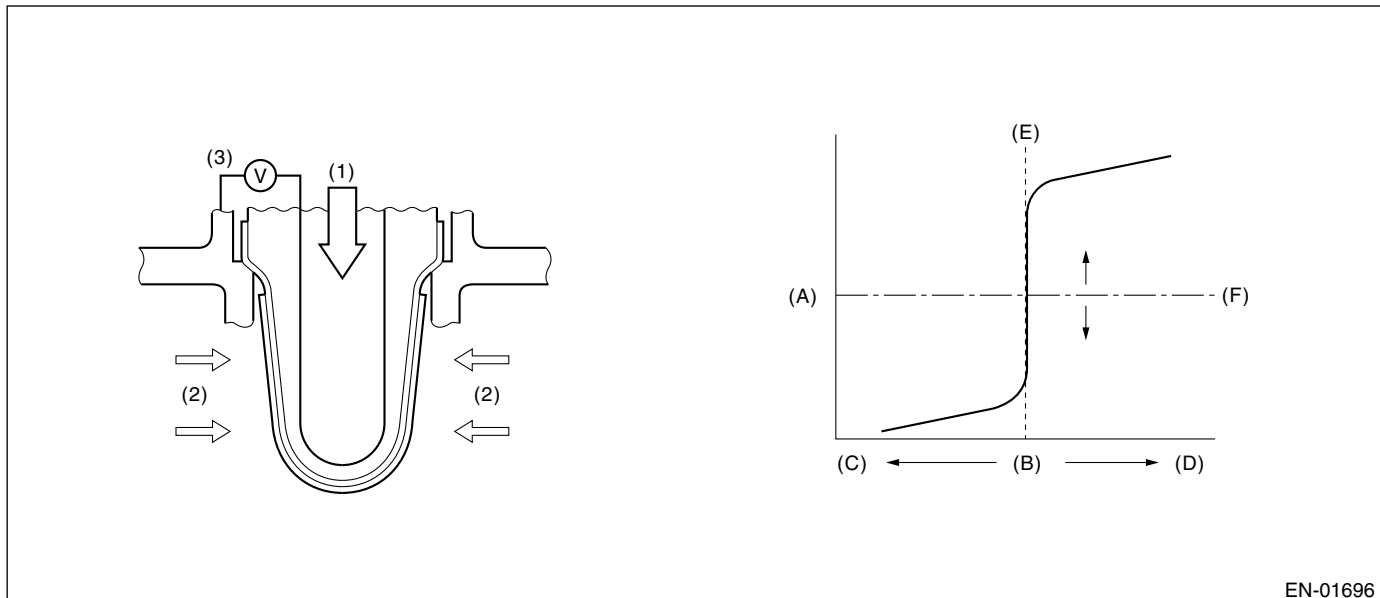
GENERAL DESCRIPTION

AB:DTC P0137 — O₂ SENSOR CIRCUIT LOW VOLTAGE (BANK 1 SENSOR 2) —

1. OUTLINE OF DIAGNOSIS

Detect the open or short circuit of rear oxygen sensor.
Judge NG when out of the standard value.

2. COMPONENT DESCRIPTION



- (1) Atmosphere
- (2) Exhaust gas
- (3) Electromotive force

- (A) Electromotive force
- (B) Air fuel ratio
- (C) Lean
- (D) Rich
- (E) Theoretical air fuel ratio
- (F) Comparative voltage

3. ENABLE CONDITION

Secondary Parameters	Enable Conditions
Closed loop control	In operation
Rear oxygen sensor Low diagnosis	Unexperienced

4. GENERAL DRIVING CYCLE

Perform the diagnosis only once during the closed loop.

DIAGNOSTIC TROUBLE CODE (DTC) DETECTING CRITERIA

GENERAL DESCRIPTION

5. DIAGNOSTIC METHOD

Judge NG when the cumulative time of completing the malfunction criteria below becomes more than time needed for diagnosis.

Judgment Value

Malfunction Criteria	Threshold Value
Maximum output voltage	< 490 mV
Coolant temperature	≥ 75°C (167°F)
Injector pulse	≥ 2.24 milliseconds
Engine speed	≥ 1500 rpm
2 seconds or more fuel shut-off in decel.	Experienced
Vehicle speed	≥ 32 km/h (20 MPH)
Engine misfire	None
Air fuel ratio feed back	Not in clamp

Time Needed for Diagnosis: 200 seconds

Malfunction Indicator Light Illumination: Illuminates when malfunction occurs in 2 continuous driving cycles.

Judge OK and clear the NG when the malfunction criteria below are completed.

Judgment Value

Malfunction Criteria	Threshold Value
maximum output voltage	≥ 490 mV

6. DTC CLEAR CONDITION

- When the OK driving cycle was completed 40 times in a row
- When "Clear Memory" was performed

7. MALFUNCTION INDICATOR LIGHT CLEAR CONDITION

- When the OK driving cycle was completed 3 times in a row
- When "Clear Memory" was performed

8. FAIL SAFE

None

9. ECM OPERATION AT DTC SETTING

- Memorize the freeze frame data. (For test mode \$02)
- Memorize the diagnostic value and trouble standard value. (For test mode \$06)

DIAGNOSTIC TROUBLE CODE (DTC) DETECTING CRITERIA

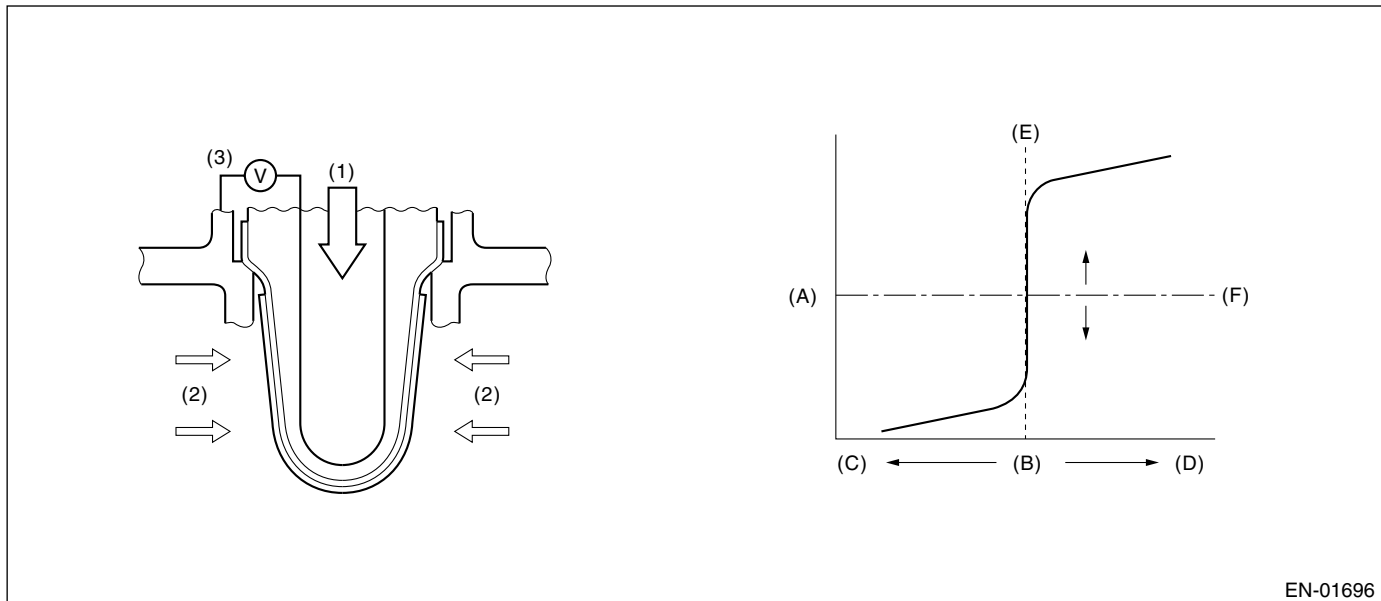
GENERAL DESCRIPTION

AC:DTC P0138 — O₂ SENSOR CIRCUIT HIGH VOLTAGE (BANK 1 SENSOR 2) —

1. OUTLINE OF DIAGNOSIS

Detect the open or short circuit of rear oxygen sensor.
Judge NG when out of the standard value.

2. COMPONENT DESCRIPTION



- (1) Atmosphere
- (2) Exhaust gas
- (3) Electromotive force

- (A) Electromotive force
- (B) Air fuel ratio
- (C) Lean
- (D) Rich
- (E) Theoretical air fuel ratio
- (F) Comparative voltage

3. ENABLE CONDITION

Secondary Parameters	Enable Conditions
Closed loop control	In operation
Rear oxygen sensor High diagnosis	Unexperienced

4. GENERAL DRIVING CYCLE

Perform the diagnosis only once during the closed loop.

DIAGNOSTIC TROUBLE CODE (DTC) DETECTING CRITERIA

GENERAL DESCRIPTION

5. DIAGNOSTIC METHOD

• Abnormality Judgment

Judge NG when the cumulative time of completing all the malfunction criteria below becomes more than time needed for diagnosis.

Judgment Value

Malfunction Criteria	Threshold Value
Minimum output voltage	> 250 mV
Coolant temperature	≥ 75°C (167°F)
Injector pulse	≥ 2.24 milliseconds
Engine speed	≥ 1500 rpm
2 seconds or more fuel shut-off in decel.	Experienced
Vehicle speed	≥ 32 km/h (20 MPH)
Engine misfire	No
Air fuel ratio feed back	Not in clamp

Time Needed for Diagnosis: 200 seconds

Malfunction Indicator Light Illumination: Illuminates when malfunction occurs in 2 continuous driving cycles.

• Normality Judgment

Judge OK and clear the NG when the malfunction criteria below are completed.

Judgment Value

Malfunction Criteria	Threshold Value
Minimum output voltage	≤ 250 mV

6. DTC CLEAR CONDITION

- When the OK driving cycle was completed 40 times in a row
- When "Clear Memory" was performed

7. MALFUNCTION INDICATOR LIGHT CLEAR CONDITION

- When the OK driving cycle was completed 3 times in a row
- When "Clear Memory" was performed

8. FAIL SAFE

None

9. ECM OPERATION AT DTC SETTING

- Memorize the freeze frame data. (For test mode \$02)
- Memorize the diagnostic value and trouble standard value. (For test mode \$06)

DIAGNOSTIC TROUBLE CODE (DTC) DETECTING CRITERIA

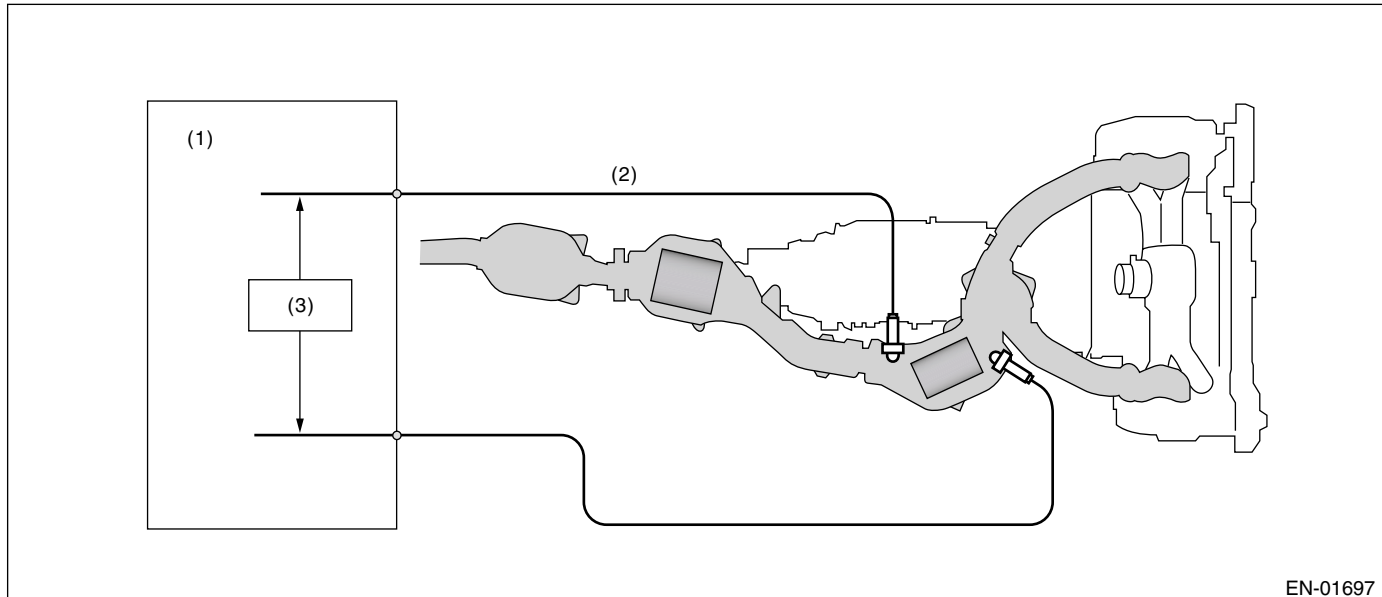
GENERAL DESCRIPTION

AD:DTC P0139 — O₂ SENSOR CIRCUIT SLOW RESPONSE (BANK 1 SENSOR 2)

1. OUTLINE OF DIAGNOSIS

Detect the slow response of rear oxygen sensor.

Calculate the response time of the output change of the rear oxygen sensor when the A/F ratio changes from rich to lean. And carry out the diagnosis comparing the calculated response time with the threshold value.

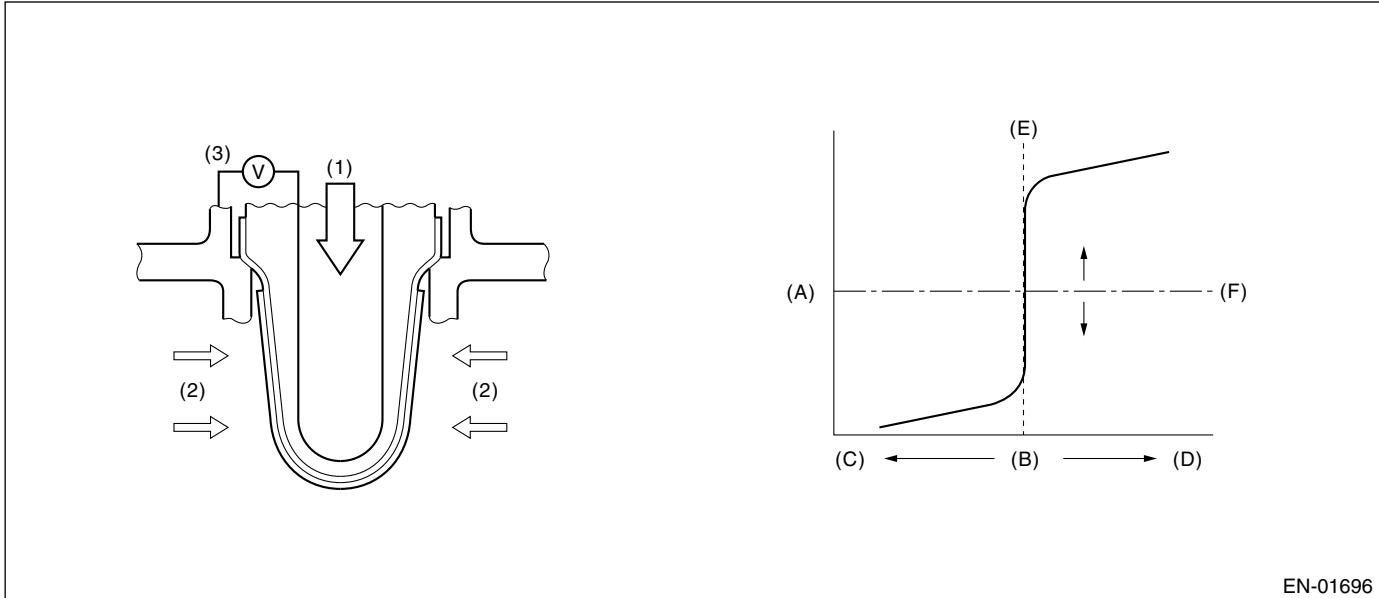


- (1) Engine control module (ECM)
- (2) Rear oxygen sensor
- (3) Diagnosis circuit

DIAGNOSTIC TROUBLE CODE (DTC) DETECTING CRITERIA

GENERAL DESCRIPTION

2. COMPONENT DESCRIPTION



EN-01696

- (1) Atmosphere
- (2) Exhaust gas
- (3) Electromotive force

- (A) Electromotive force
- (B) Air fuel ratio
- (C) Lean
- (D) Rich
- (E) Theoretical air fuel ratio
- (F) Comparative voltage

3. ENABLE CONDITION

Secondary Parameters	Enable Conditions
Closed loop control with rear oxygen sensor	In operation
Closed loop control	In operation
Oxygen sensor response diagnosis	Incomplete

4. GENERAL DRIVING CYCLE

Diagnosis is performed only once during the closed loop. However, from the rapid acceleration, the deceleration fuel is cut to calculate the diagnostic value. (Pay attention to oxygen sensor voltage when deciding the deceleration timing.)

DIAGNOSTIC TROUBLE CODE (DTC) DETECTING CRITERIA

GENERAL DESCRIPTION

5. DIAGNOSTIC METHOD

When the rear oxygen sensor output voltage changes from 0.5 V (rich) to 0.15 V (lean), carry out calculation regarding the response time of the output change from 0.45 V to 0.2 V as diagnostic value. When the rear oxygen sensor output voltage does not change from 0.5 V to 0.15 V, do not carry out calculation even if the output changes from 0.45 V to 0.2 V.

• Abnormality Judgment

Judge NG when the rear oxygen sensor output change response time (diagnostic value) exceeds the threshold value.

Response time > 2 seconds (threshold value) → Abnormal

Judge NG when all of the malfunction criteria below is completed.

Judgment Value

Malfunction Criteria	Threshold Value
Shortest time change from rich (450 mV oxygen output) to lean (200 mV) if voltage reduces from 500 mV to 150 mV	≥ 0.43 seconds
2 seconds or more fuel shut-off in decel. After fuel shut-off	Experienced 2 seconds or more

Time Needed for Diagnosis: 4 seconds

Malfunction Indicator Light Illumination: Illuminates when malfunction occurs in 2 continuous driving cycles.

• Normality Judgment

Judge OK when the rear oxygen sensor output change response time (diagnostic value) is below the threshold value.

Response time ≤ 2 seconds (threshold value) → Normal

Judge NG when the malfunction criteria below is completed.

• Judgment Value

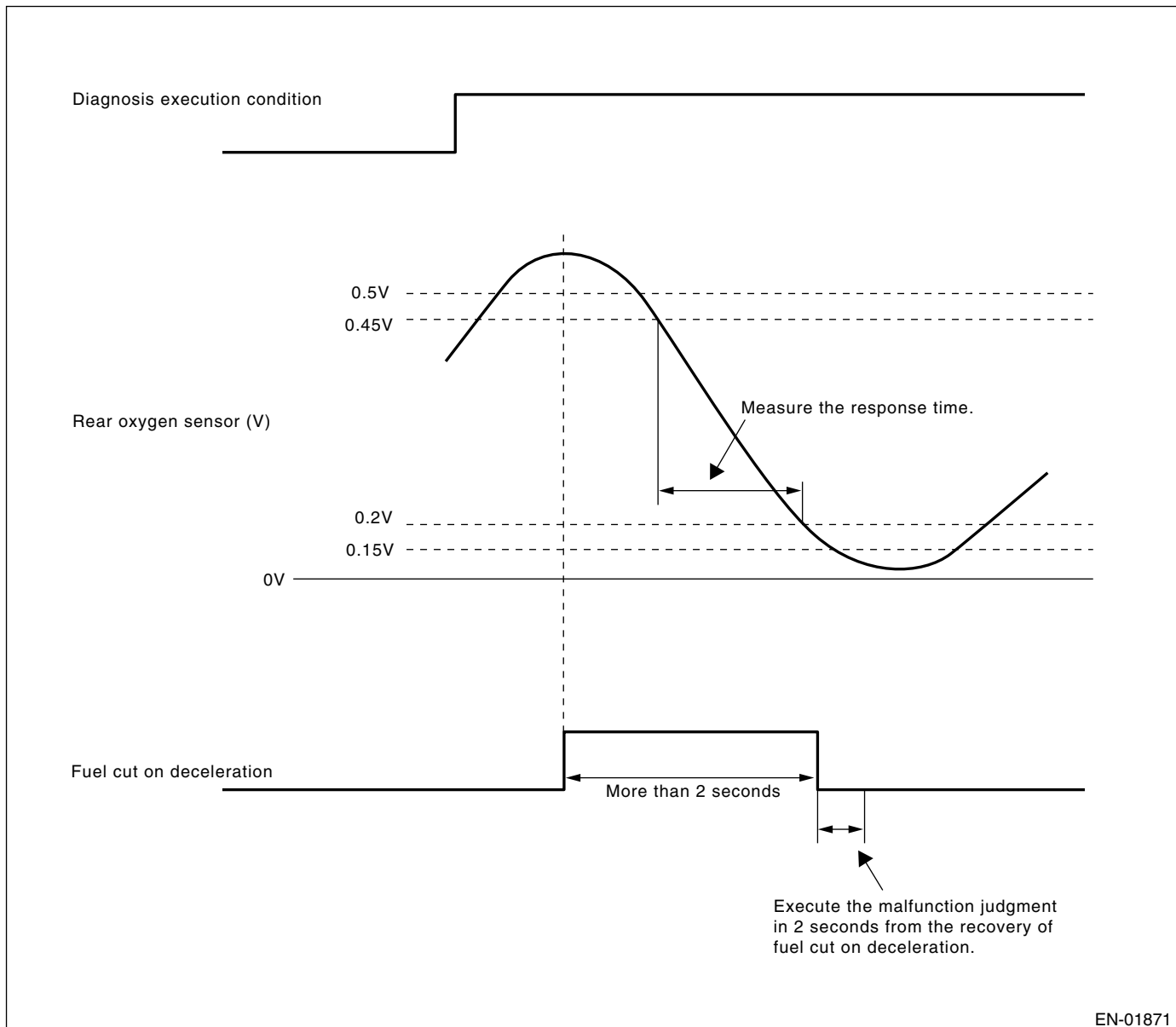
Malfunction Criteria	Threshold Value
Shortest time change	≤ 0.43 seconds

DIAGNOSTIC TROUBLE CODE (DTC) DETECTING CRITERIA

GENERAL DESCRIPTION

NOTE:

Response time is calculated during the deceleration fuel cut in case of abnormal judgment. However, in order to make a normal judgment quickly, diagnosis is performed without deceleration fuel cut.



6. DTC CLEAR CONDITION

- When the OK idling cycle was completed 40 times in a row
- When "Clear Memory" was performed

7. MALFUNCTION INDICATOR LIGHT CLEAR CONDITION

- When the OK driving cycle was completed 3 times in a row
- When "Clear Memory" was performed

8. FAIL SAFE

None

9. ECM OPERATION AT DTC SETTING

- Memorize the freeze frame data. (For test mode \$02)
- Memorize the diagnostic value and trouble standard value. (For test mode \$06)

GD(H4SO)-70

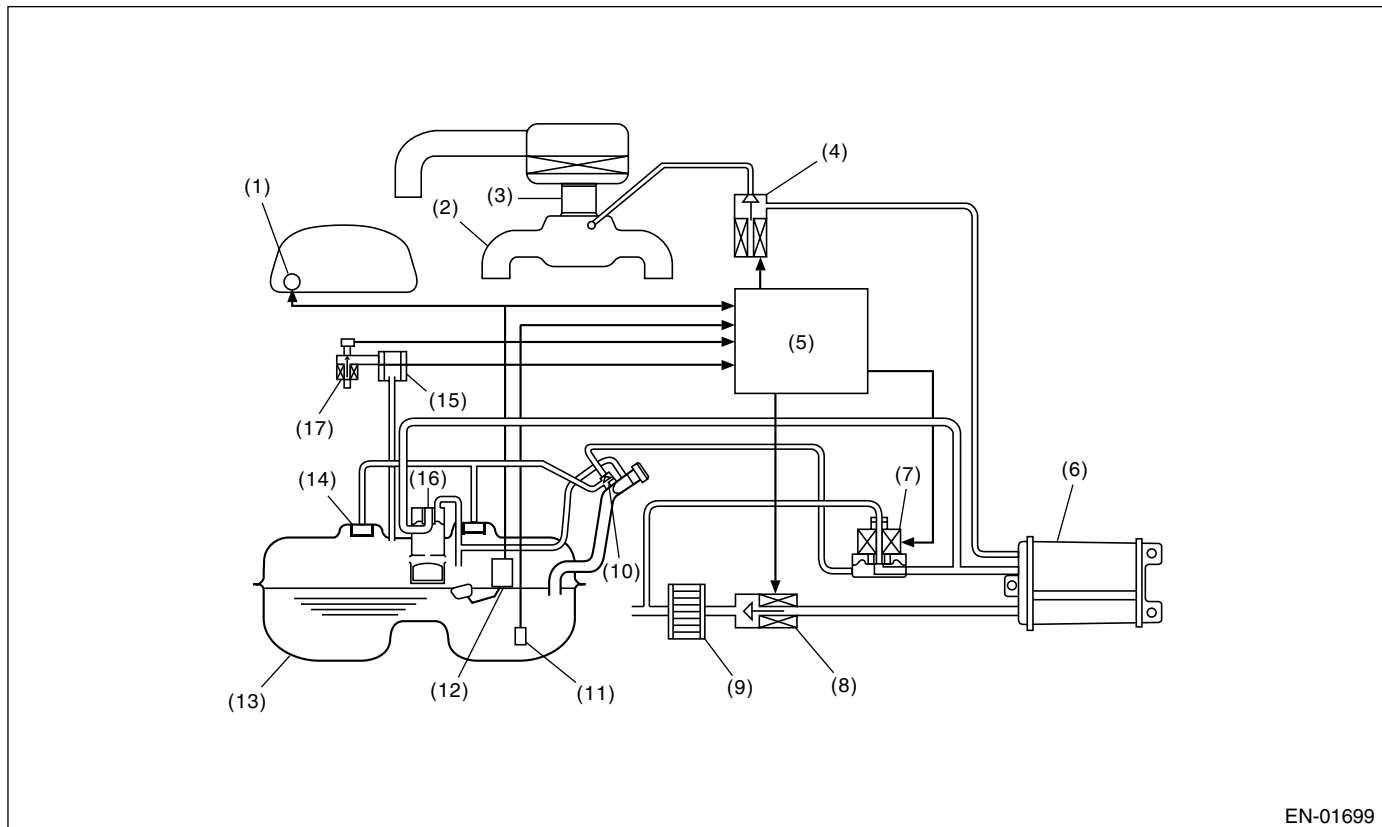
DIAGNOSTIC TROUBLE CODE (DTC) DETECTING CRITERIA

GENERAL DESCRIPTION

AE:DTC P0171 — SYSTEM TOO LEAN (BANK 1) —

1. OUTLINE OF DIAGNOSIS

Detect the malfunction of fuel system by the amount of main feedback control.



EN-01699

- | | |
|-------------------------------------|---|
| (1) Fuel meter | (10) Shut-off valve |
| (2) Intake manifold | (11) Fuel temperature sensor |
| (3) Throttle body | (12) Fuel level sensor |
| (4) Purge control solenoid valve | (13) Fuel tank |
| (5) Engine control module (ECM) | (14) Fuel cut valve |
| (6) Canister | (15) Fuel tank pressure sensor |
| (7) Pressure control solenoid valve | (16) Vent valve |
| (8) Drain valve | (17) Tank pressure switching solenoid valve |
| (9) Drain filter | |

Fuel system is diagnosed by comparing the target air fuel ratio calculated by ECM with the actual air fuel ratio measured by sensor.

GD(H4SO)-71

DIAGNOSTIC TROUBLE CODE (DTC) DETECTING CRITERIA

GENERAL DESCRIPTION

2. ENABLE CONDITION

Secondary Parameters	Enable Conditions
Fuel learning system	In operation
Engine coolant temperature	75 ↔ 110°C (167 ↔ 230°F)
Intake manifold pressure change during 50 msec	≤ 14.6 kPa (110 mmHg, 4.3 inHg)
Learning value of EVAP conc. during purge	≤ 1.0
Cumulative time of canister purge after engine start	20 seconds or more
Continuous period after canister purge starting	10 seconds or more
Intake air temperature	< 70°C (158°F)
Fuel level	≥ 9 ℓ (2.4 US gal, 2.0 Imp gal)

3. GENERAL DRIVING CYCLE

Perform the serial diagnoses with a constant vehicle speed more than 60 km/h (37 MPH).

4. DIAGNOSTIC METHOD

Judge that the malfunction occurred in fuel system when the malfunction criteria are completed for 30 seconds or more by comparing the diagnostic value (fsobd) with threshold value.

Judgment Value

Malfunction Criteria	Threshold Value
$fsobd = aflmd + \lambda + kblrc$	≥ fsobdL1 See Map 2
aflmd = measured lambda	fsobdL1 = lean side
lambda = short term fuel trim	threshold value of
kblrc = long term fuel trim	fsobd

Map 2: Threshold value for fuel system malfunction criteria

Amount of air (g/s)	0	3.2	6.4	9.6	12.8	16	19.2
fsobdL1 (%)	40	40	33.2	26.5	26.5	26.5	26.5

Time Needed for Diagnosis: 10 seconds × 3 times

Malfunction Indicator Light Illumination: Illuminates when malfunction occurs in 2 continuous driving cycles.

Judge OK when the malfunction criteria below are completed for 10 seconds or more.

Judgment Value

Malfunction Criteria	Threshold Value
$fsobd = aflmd + \lambda + kblrc$	< 19%

5. DTC CLEAR CONDITION

- When the OK idling cycle is completed 40 times in a row
- When "Clear Memory" was performed

6. MALFUNCTION INDICATOR LIGHT CLEAR CONDITION

- When diagnosed OK with the similar driving for 3 driving cycles in a row
- When "Clear Memory" was performed

7. FAIL SAFE

None

8. ECM OPERATION AT DTC SETTING

Memorize the freeze frame data. (For test mode \$02)

GD(H4SO)-72

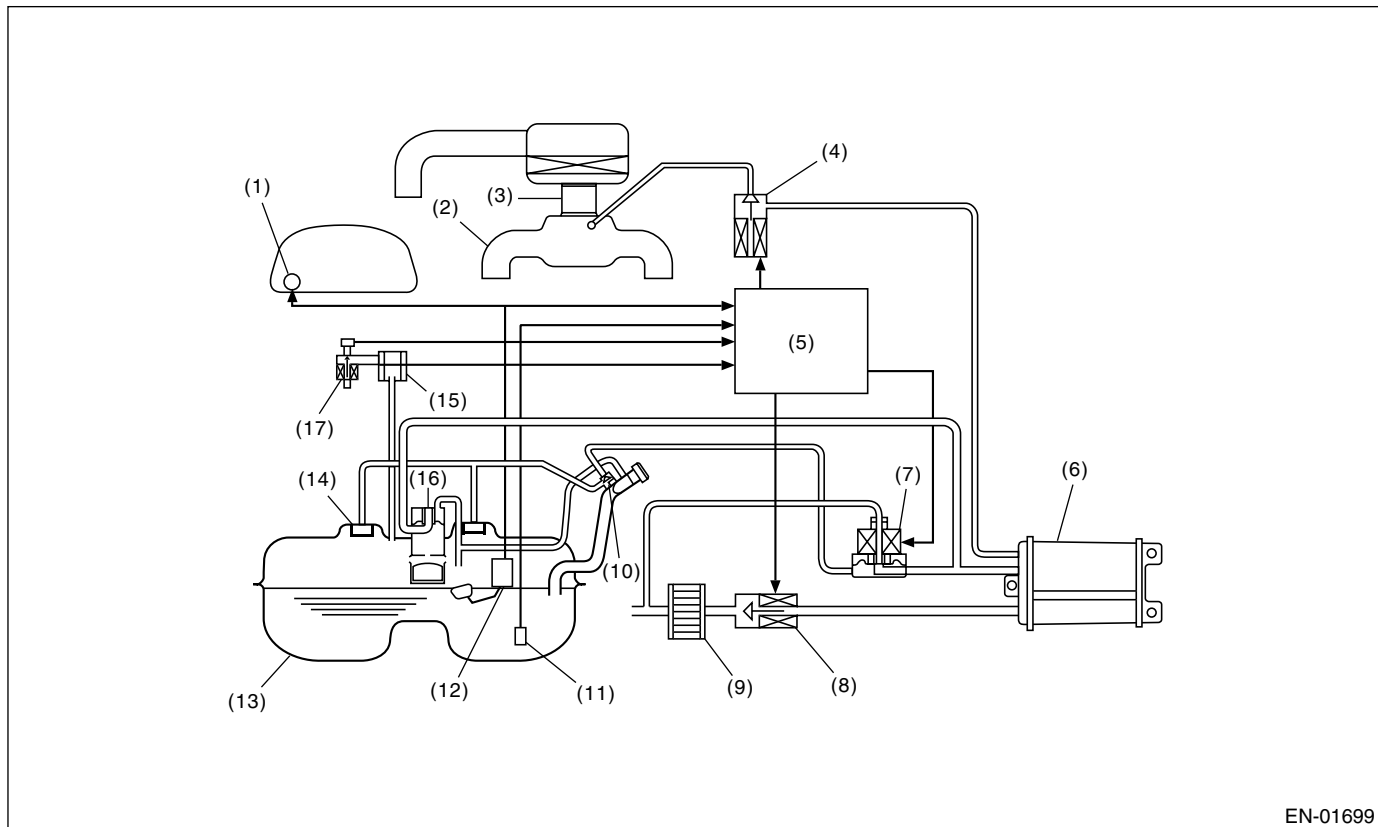
DIAGNOSTIC TROUBLE CODE (DTC) DETECTING CRITERIA

GENERAL DESCRIPTION

AF:DTC P0172 — SYSTEM TOO RICH (BANK 1) —

1. OUTLINE OF DIAGNOSIS

Detect the malfunction of fuel system by the amount of main feedback control.



- | | |
|-------------------------------------|---|
| (1) Fuel meter | (10) Shut-off valve |
| (2) Intake manifold | (11) Fuel temperature sensor |
| (3) Throttle body | (12) Fuel level sensor |
| (4) Purge control solenoid valve | (13) Fuel tank |
| (5) Engine control module (ECM) | (14) Fuel cut valve |
| (6) Canister | (15) Fuel tank pressure sensor |
| (7) Pressure control solenoid valve | (16) Vent valve |
| (8) Drain valve | (17) Tank pressure switching solenoid valve |
| (9) Drain filter | |

Fuel system is diagnosed by comparing the target air fuel ratio calculated by ECM with the actual air fuel ratio measured by sensor.

DIAGNOSTIC TROUBLE CODE (DTC) DETECTING CRITERIA

GENERAL DESCRIPTION

2. ENABLE CONDITION

Secondary Parameters	Enable Conditions
Fuel learning system	In operation
Engine coolant temperature	75 ↔ 110°C (167 ↔ 230°F)
Intake manifold pressure change during 50 msec	≤ 14.6 kPa (110 mmHg, 4.3 inHg)
Learning value of EVAP conc. during purge	≤ 1.0
Cumulative time of canister purge after engine start	20 seconds or more
Continuous period after canister purge starting	10 seconds or more
Intake air temperature	< 70°C (158°F)
Fuel level	≥ 9 ℓ (2.4 US gal, 2.0 Imp gal)

3. GENERAL DRIVING CYCLE

Perform the serial diagnoses with a constant vehicle speed more than 60km/h (37 MPH).

4. DIAGNOSTIC METHOD

Judge that the malfunction occurred in fuel system when the malfunction criteria are completed for 30 seconds or more by comparing the diagnostic value (fsobd) with threshold value.

Judgment Value

Malfunction Criteria	Threshold Value
$fsobd = aflmd + \lambda + kblrc$	≤ fsobdR1 See Map 2
aflmd = measured lambda	fsobdR1 = rich side
lambda = short term fuel trim	threshold value of
kblrc = long term fuel trim	fsobd

Map 2: Threshold value for fuel system malfunction criteria

Amount of air (g/s)	0	3.2	6.4	9.6	12.8	16	19.2
fsobdR1 (%)	-40	-40	-33.2	-26.5	-26.5	-26.5	-26.5

Time Needed for Diagnosis: 10 seconds × 3 times

Malfunction Indicator Light Illumination: Illuminates when malfunction occurs in 2 continuous driving cycles.

Judge OK when the malfunction criteria below are completed for 10 seconds or more.

Judgment Value

Malfunction Criteria	Threshold Value
$fsobd = aflmd + \lambda + kblrc$	≥ -20%

5. DTC CLEAR CONDITION

- When the OK idling cycle is completed 40 times in a row
- When "Clear Memory" was performed

6. MALFUNCTION INDICATOR LIGHT CLEAR CONDITION

- When diagnosed OK with the similar driving for 3 driving cycles in a row
- When "Clear Memory" was performed

7. FAIL SAFE

None

8. ECM OPERATION AT DTC SETTING

Memorize the freeze frame data. (For test mode \$02)

GD(H4SO)-74

DIAGNOSTIC TROUBLE CODE (DTC) DETECTING CRITERIA

GENERAL DESCRIPTION

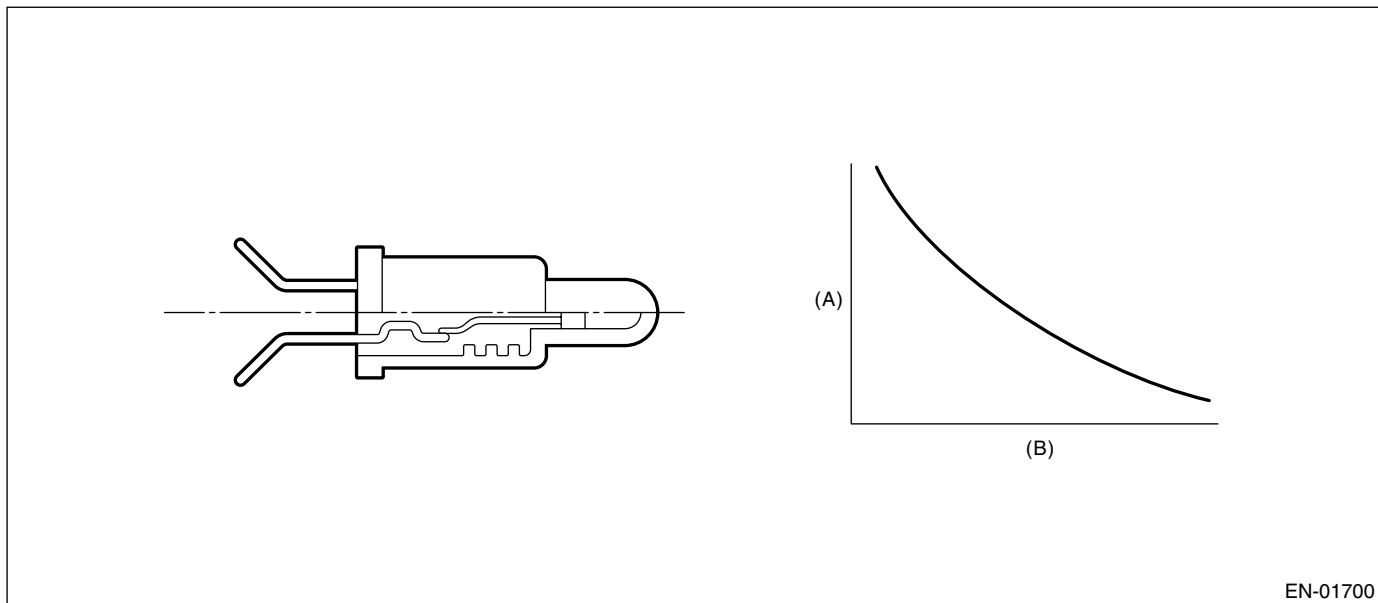
AG:DTC P0181 — FUEL TEMPERATURE SENSOR “A” CIRCUIT RANGE/PERFORMANCE —

1. OUTLINE OF DIAGNOSIS

Detect the malfunction of fuel temperature sensor output property.

Diagnosis is performed in two methods; namely, drift diagnosis and stuck diagnosis.

2. COMPONENT DESCRIPTION



EN-01700

(A) Resistance value (Ω)

(B) Fuel temperature $^{\circ}\text{C}$ ($^{\circ}\text{F}$)

• Drift Diagnosis

Normally fuel temperature is lower than engine coolant temperature. When the fuel temperature becomes higher than the engine coolant temperature, the range is considered to be shifted, and NG judgment is done.

3. ENABLE CONDITION

Secondary Parameters	Enable Conditions
Fuel level	$\geq 9 \text{ l}$ (2.4 US gal, 2.0 Imp gal)
After engine starting	20 seconds or more
Engine coolant temperature difference from engine start	$> 10^{\circ}\text{C}$ (50°F)

4. GENERAL DRIVING CYCLE

Perform the diagnosis continuously when the engine coolant temperature increases more than 10 degrees (50 degrees of Fahrenheit) from the temperature of engine starting in 20 seconds after starting the engine.

GD(H4SO)-75

DIAGNOSTIC TROUBLE CODE (DTC) DETECTING CRITERIA

GENERAL DESCRIPTION

5. DIAGNOSTIC METHOD

Judge NG when the continuous time until completing the malfunction criteria below becomes more than the time (120 seconds) needed for diagnosis. Also, judge OK when the malfunction criteria below is not completed. And then, clear the NG.

Judgment Value

Malfunction Criteria	Threshold Value
Fuel temperature-engine coolant temperature	$\geq 10^{\circ}\text{C}$ (50°F)

Time Needed for Diagnosis: 120 seconds

Malfunction Indicator Light Illumination: Illuminates when malfunction occurs in 2 continuous driving cycles.

Stuck Diagnosis

If the fuel temperature which must increase along with engine idling does not increase, the engine is considered to be stuck and NG judgment is done.

6. ENABLE CONDITION

Secondary Parameters	Enable Conditions
After engine starting	20 seconds or more

7. GENERAL DRIVING CYCLE

Perform the diagnosis continuously in 20 seconds and more after starting the engine.

8. DIAGNOSTIC METHOD

• Abnormality Judgment

Judge NG when all of the malfunction criteria below is completed.

Malfunction Criteria	Threshold Value
Accumulated amount of intake air	≥ 550 kg (1213 lb)
Fuel temperature difference between max and min	$< 3^{\circ}\text{C}$ (37°F)

• Normality Judgment

Judge OK and clear the NG when the malfunction criteria below are completed.

Malfunction Criteria	Threshold Value
Fuel temperature difference between max. and min.	$\geq 3^{\circ}\text{C}$ (37°F)

Time Needed for Diagnosis: 0 seconds

Malfunction Indicator Light Illumination: Illuminates when malfunction occurs in 2 continuous driving cycles.

9. DTC CLEAR CONDITION

- When the OK idling was completed 40 times in a row
- When "Clear Memory" was performed

10. MALFUNCTION INDICATOR LIGHT CLEAR CONDITION

- When the OK driving cycle was completed 3 times in a row
- When "Clear Memory" was performed

11. FAIL SAFE

Fix the fuel temperature at 40°C (104°F).

12. ECM OPERATION AT DTC SETTING

Memorize the freeze frame data. (For test mode \$02)

GD(H4SO)-76

DIAGNOSTIC TROUBLE CODE (DTC) DETECTING CRITERIA

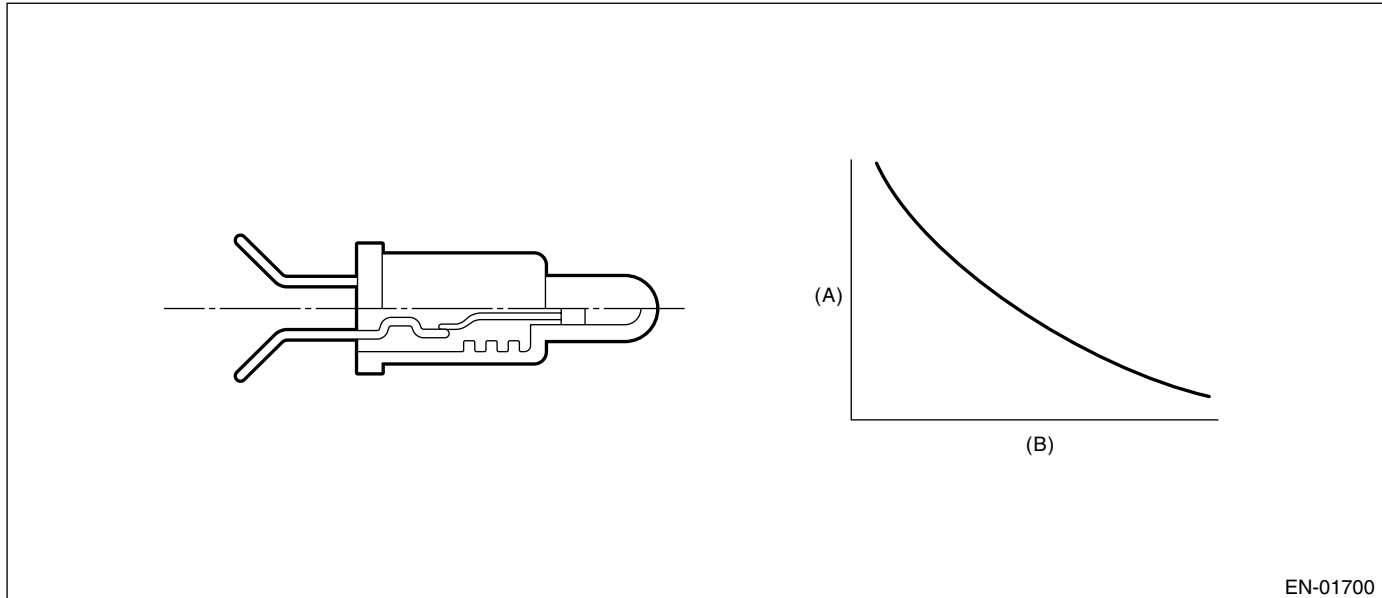
GENERAL DESCRIPTION

AH:DTC P0182 — FUEL TEMPERATURE SENSOR “A” CIRCUIT LOW INPUT —

1. OUTLINE OF DIAGNOSIS

Detect the open or short circuit of fuel temperature sensor.
Judge NG when out of the standard value.

2. COMPONENT DESCRIPTION



- (A) Resistance value (Ω)
(B) Fuel temperature $^{\circ}\text{C}$ ($^{\circ}\text{F}$)

3. ENABLE CONDITION

Secondary Parameters	Enable Conditions
Engine speed	≥ 500 rpm
Battery voltage	≥ 8 V
Timer after starting the engine	≥ 1 second

4. GENERAL DRIVING CYCLE

Perform the diagnosis continuously after starting the engine.

5. DIAGNOSTIC METHOD

Judge NG when the continuous time of completing the malfunction criteria below becomes more than the time (2.5 seconds) needed for diagnosis. Judge OK and clear NG when the malfunction criteria below are not completed.

Judgment Value

Malfunction Criteria	Threshold Value
Output voltage	≤ 0.1 V

Time Needed for Diagnosis: 2.5 seconds

Malfunction Indicator Light Illumination: Illuminates as soon as malfunction occurs.

6. DTC CLEAR CONDITION

- When the OK idling cycle was completed 40 times in a row
- When “Clear Memory” was performed

GD(H4SO)-77

DIAGNOSTIC TROUBLE CODE (DTC) DETECTING CRITERIA

GENERAL DESCRIPTION

7. MALFUNCTION INDICATOR LIGHT CLEAR CONDITION

- When the OK driving cycle was completed 3 times in a row
- When "Clear Memory" was performed

8. FAIL SAFE

Fix the fuel temperature for control at 40°C (104°F).

9. ECM OPERATION AT DTC SETTING

Memorize the freeze frame data. (For test mode \$02)

GD(H4SO)-78

DIAGNOSTIC TROUBLE CODE (DTC) DETECTING CRITERIA

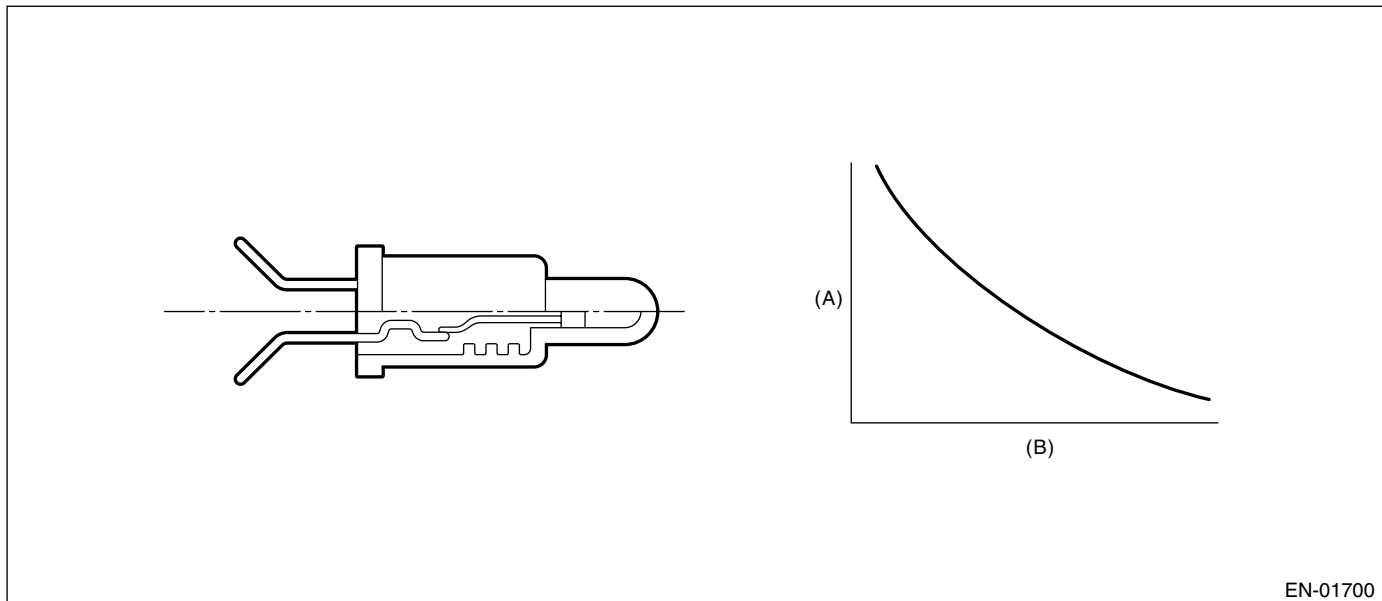
GENERAL DESCRIPTION

AI: DTC P0183 — FUEL TEMPERATURE SENSOR “A” CIRCUIT HIGH INPUT —

1. OUTLINE OF DIAGNOSIS

Detect the open or short circuit of fuel temperature sensor.
Judge NG when out of the standard value.

2. COMPONENT DESCRIPTION



- (A) Resistance value (Ω)
(B) Fuel temperature $^{\circ}\text{C}$ ($^{\circ}\text{F}$)

3. ENABLE CONDITION

Secondary Parameters	Enable Conditions
Engine speed	≥ 500 rpm
Battery voltage	≥ 8 V
Timer after starting the engine	≥ 1 second

4. GENERAL DRIVING CYCLE

Perform the diagnosis continuously after starting the engine.

5. DIAGNOSTIC METHOD

Judge NG when the cumulative time of completing the malfunction criteria below becomes more than time (2.5 seconds) needed for diagnosis. Judge OK when the malfunction criteria below are not completed.

Judgment Value

Malfunction Criteria	Threshold Value
Output voltage	≥ 4.85 V

Time Needed for Diagnosis: 2.5 seconds

Malfunction Indicator Light Illumination: Illuminates as soon as malfunction occurs.

6. DTC CLEAR CONDITION

- When the OK idling cycle was completed 40 times in a row
- When “Clear Memory” was performed

GD(H4SO)-79

DIAGNOSTIC TROUBLE CODE (DTC) DETECTING CRITERIA

GENERAL DESCRIPTION

7. MALFUNCTION INDICATOR LIGHT CLEAR CONDITION

- When the OK driving cycle was completed 3 times in a row
- When "Clear Memory" was performed

8. FAIL SAFE

Fix the fuel temperature for control at 40°C (104°F).

9. ECM OPERATION AT DTC SETTING

Memorize the freeze frame data. (For test mode \$02)

GD(H4SO)-80

DIAGNOSTIC TROUBLE CODE (DTC) DETECTING CRITERIA

GENERAL DESCRIPTION

AJ:DTC P0301 — CYLINDER 1 MISFIRE DETECTED —

1. OUTLINE OF DIAGNOSIS

Detect the presence of misfire occurrence.

Monitoring Misfire which influences exhaust deterioration (1.5 times of FTP) and catalyst damage is made obligatory by the law. Misfire affecting these two has three patterns below.

- Intermittent misfire (Different cylinders misfire intermittently.): FTP 1.5 times misfire
- Every time misfire (The same cylinder misfires every time.): Catalyst damage misfire, FTP 1.5 times misfire
- Opposed misfire (Dual ignition equipped model as #1, #2 simultaneously ignite. NA model only.): Catalyst damage misfire, FTP 1.5 times misfire

The following detecting methods are adopted for these detection.

- (1) Intermittent misfire: FTP 1.5 times misfire
 - 180° Interval Difference Method (3,550 rpm or less)
 - 720° Interval Difference Method (2,950 rpm or less)
- (2) Every time misfire: Catalyst damage misfire, FTP 1.5 times misfire
 - 180° Interval Difference Method (3,550 rpm or less)
 - Pattern Recognition Method (2,950 rpm or more)
- (3) Opposed misfire: Catalyst damage misfire, FTP 1.5 times misfire
 - 180° Interval Difference Method (3,550 rpm or less)
 - Pattern Recognition Method (2,950 rpm or more)

2. ENABLE CONDITION

Secondary Parameters	Enable Conditions
Injector pulse	≥ 1.00 milliseconds
Engine speed	450 — 6200 rpm
Fuel shut-off function	Not operating
Fuel parameter determination	Not as extremely low volatility
Engine speed change	≥ Misfire level × -4.00
After fuel shut-off finished (Weighted avg. value / given amount) of intake air -1.0	15 revs. or more -0.5 ↔ 1.9
Fuel level	≥ 9 ℓ (2.4 US gal, 2.0 Imp gal)
Crankshaft position has been learned intake manifold pressure	> Value from Map 4
The change in torque during shifting (Misfire detection by oxygen sensor)	Not in operation
Throttle position change during 30 milliseconds	-20° ↔ 20°
Engine speed	> 4600 rpm

Map 4

rpm	0	400	800	1200	1600	2000	2400	2800
MT (V. Speed < 64 km/h (40 MPH))	164	164	164	144	140	144	140	148
(V. Speed ≥ 64 km/h (40 MPH))	164	164	164	192	188	192	184	236
AT	172	172	172	152	152	160	152	164
rpm	3200	3600	4000	4400	4800	5200	5600	6000
MT (V. Speed < 64 km/h (40 MPH))	172	188	212	236	260	288	312	336
(V. Speed ≥ 64 km/h (40 MPH))	244	236	236	236	260	288	312	336
AT	188	216	240	264	284	308	332	356

GD(H4SO)-81

DIAGNOSTIC TROUBLE CODE (DTC) DETECTING CRITERIA

GENERAL DESCRIPTION

3. GENERAL DRIVING CYCLE

If the condition matched, detecting misfire is possible in the engine speed of idling to high revolution; however, idling is better from the viewpoint of engine load and damage.

4. DIAGNOSTIC METHOD

When the misfire occurred, the engine speed is decreased and the crankshaft position speed will change. Calculate the interval difference value (diagnostic value) from crankshaft position speed, and judge whether the misfire occurs or not comparing the calculated result with judgment value.

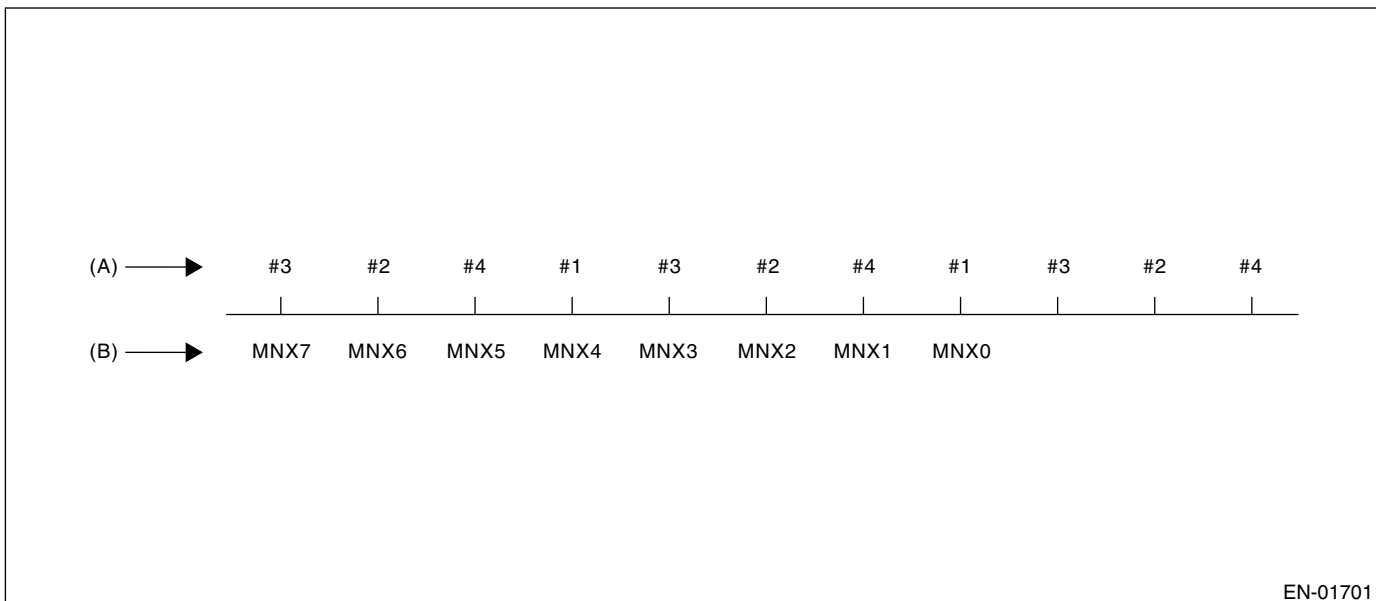
Calculate the diagnostic value (from crankshaft position speed)	→ Misfire detection every single ignition (Compare diagnostic value with judgment value)	→ NG judgment (Judge misfire occurrence required by the law) (Compare number of misfire with judgment)
	<ul style="list-style-type: none">• 180° Interval Difference Method• 720° Interval Difference Method• Pattern Recognition Method	<ul style="list-style-type: none">• FTP1.5 times misfire NG judgment• Catalyst damage misfire NG judgment

For misfire detection, there are three methods such as 180° Interval Difference Method, 720° Interval Difference Method and Pattern Recognition Method.

• 180° Interval Difference Method, 720° Interval Difference Method

Transform the time needed for crankshaft movement from BTDC65° to BTDC10° into revolution. As the following, regard the revolution as MNX0. And then regard the former revolution as MNX1, the second former revolution as MNX2, and the third as MNX3, etc.

Use the detecting method below for misfire patterns, and judge misfire occurrence when the result calculated from the formula is out of threshold value.

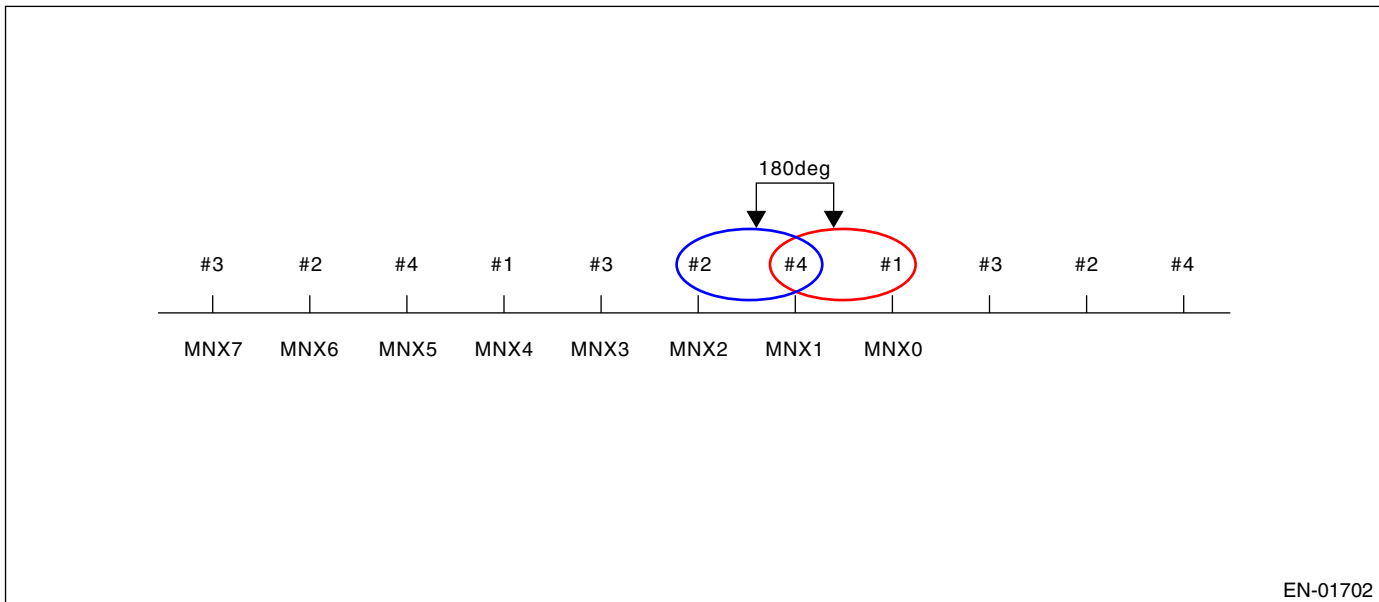


- (A) Ignition order
- (B) Engine speed (rpm)

DIAGNOSTIC TROUBLE CODE (DTC) DETECTING CRITERIA

GENERAL DESCRIPTION

180° Interval Difference Method (DDNCON0)

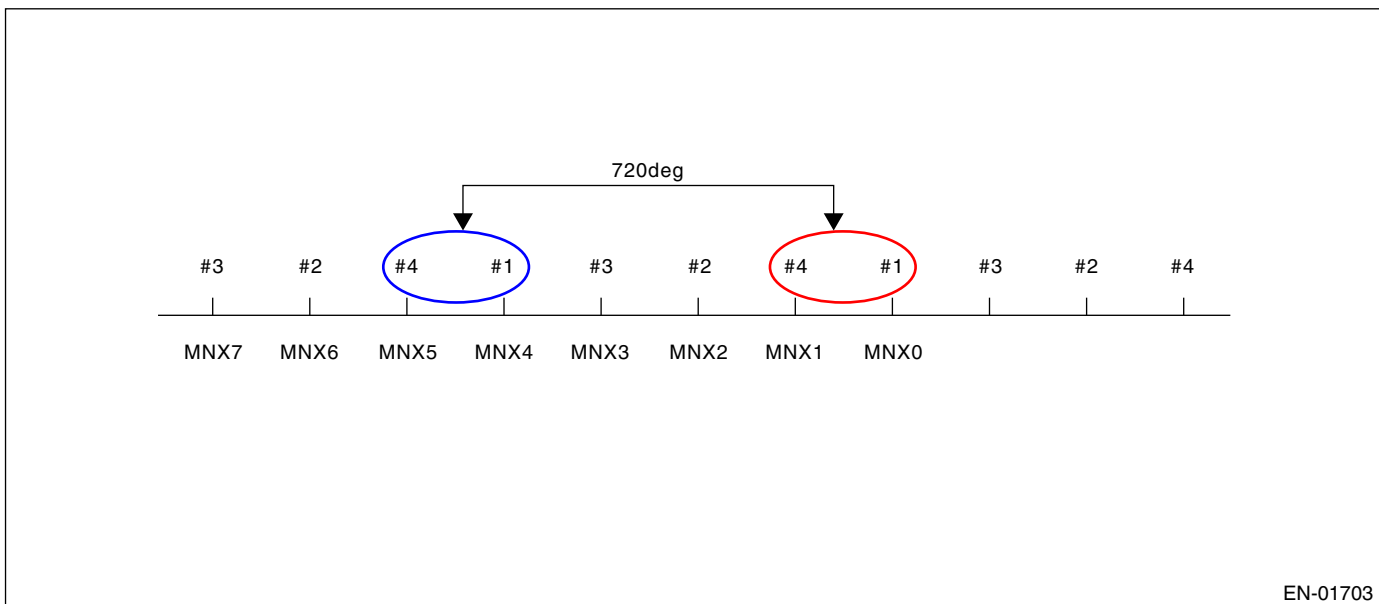


(1) $DDNCON1 = (MNX\ 1 - MNX\ 2) - (MNX\ 2 - MNX\ 3) \leq \text{Threshold value}$

(2) $DDNCON0 = (MNX\ 0 - MNX\ 1) - (MNX\ 1 - MNX\ 2) \geq \text{Threshold value}$

Judge misfire when the (1) and (2) above are completed.

720° Interval Difference Method (DDNCYL0)



(1) $DDNCYL4 = (MNX\ 4 - MNX\ 5) - (MNX\ 8 - MNX\ 9) \leq \text{Threshold value}$

(2) $DDNCYL0 = (MNX\ 0 - MNX\ 1) - (MNX\ 4 - MNX\ 5) \geq \text{Threshold value}$

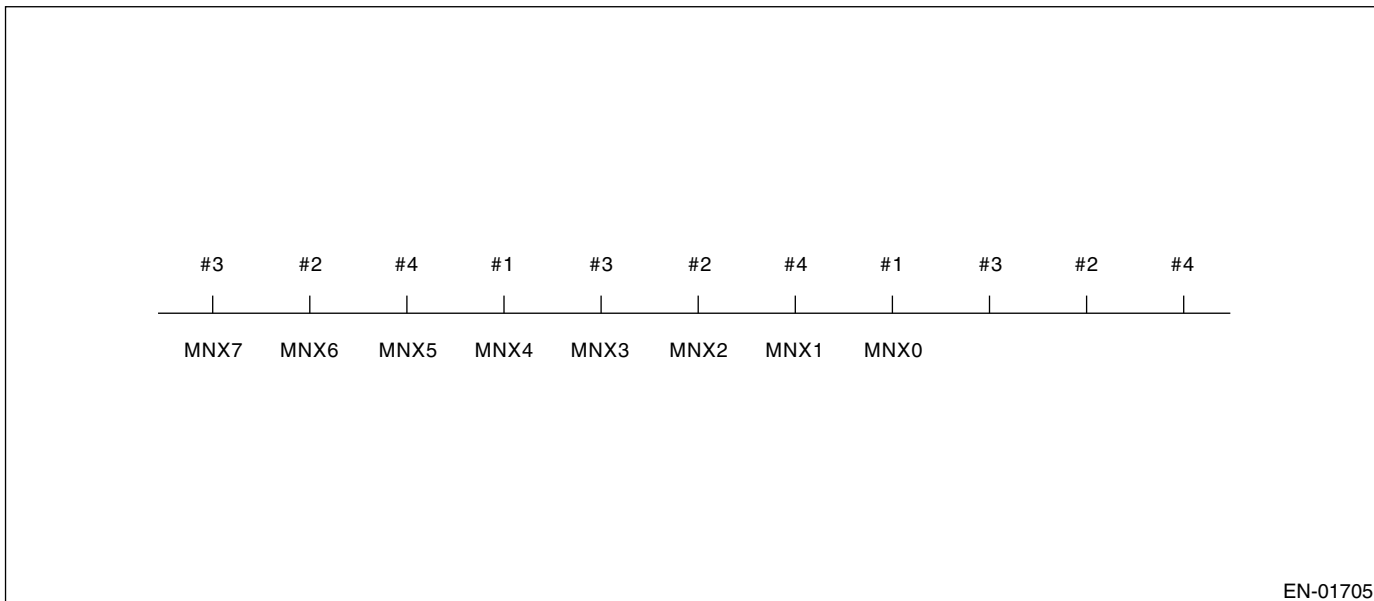
Judge misfire when the (1) and (2) above are completed.

DIAGNOSTIC TROUBLE CODE (DTC) DETECTING CRITERIA

GENERAL DESCRIPTION

• Pattern Recognition Method

Pattern Recognition Method has two patterns such as every time misfire on one cylinder and continuous misfire on two cylinders.



Every time misfire on one cylinder

Calculate the simple average (calculate MNX 0 – MNX 1) per one hundred ignitions for one cylinder (per four hundred ignitions for four cylinder).

Regard the value calculated for #1 cylinder as AVE1, #2 cylinder as AVE2, and as AVE3, AVE4 like the same way. Judge misfire occurrence when the value calculated from the following formula is larger than threshold value.

(Max. value of AVE1 to AVE4) – AVE_n (n=1,2,3,4) ≥ threshold value → Judge that misfire occurs.

Continuous misfire on two cylinders

(1) Two continuous ignitions with “MNX 0 – MNX 1 ≥ threshold value” occurs.

(2) Two continuous ignitions with “MNX 0 – MNX 1 ≤ – (threshold value)” occurs.

Judge misfire occurrence on continuous two cylinders when the judgment criteria (1) and (2) above repeated for four hundred ignition.

• FTP 1.5 times Misfire (Misfire occurrence level which influences exhaust gas)

Judgment Value

Judge malfunction when the misfire rate in 1000 revs. is large.

Malfunction Criteria	Threshold Value
FTP emission	> 1.0% in 1000 revs.

Time Needed for Diagnosis: 1000 engine revs.

Malfunction Indicator Light Illumination: Illuminates when malfunction occurs in 2 continuous driving cycles.

• Catalyst Damage Misfire (Misfire occurrence level which results in catalyst damage)

Judgment Value

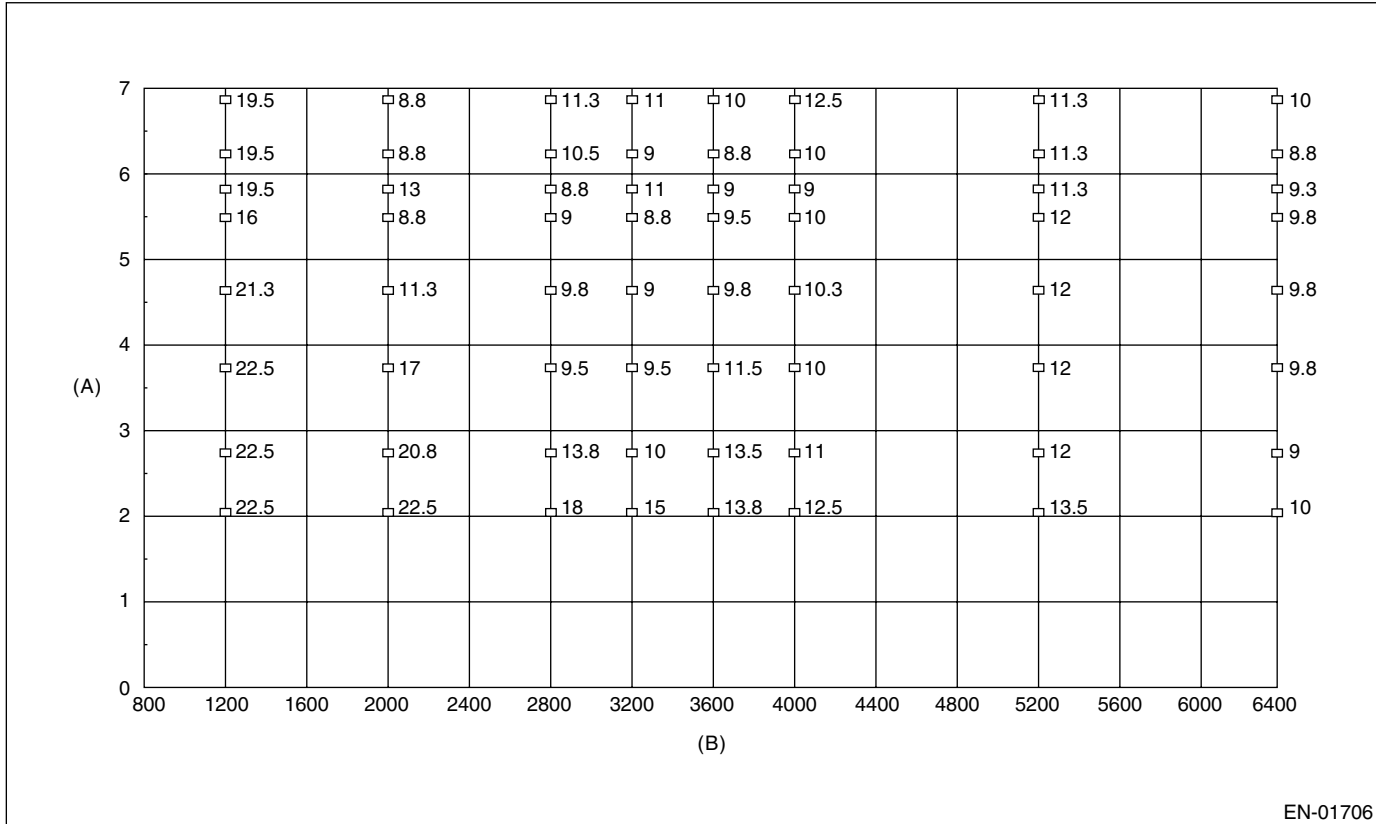
Judge malfunction when the misfire rate in 200 revs (400 ignitions) is large.

Malfunction Criteria	Threshold Value
Catalyst damage	See Map 1

DIAGNOSTIC TROUBLE CODE (DTC) DETECTING CRITERIA

GENERAL DESCRIPTION

Map 1 Fault criteria limit for misfire which would result in catalyst damage



EN-01706

(A) Basic injection pulse (millisecond)

(B) Engine speed (rpm)

*These figures represent the misfire rate (%) in 400 ignitions.

22.5 (%) means "400 (ignitions) × 22.5 (%) = 90 (ignitions)" or more, and judge misfire.

Time Needed for Diagnosis: 200 engine revs.

Malfunction Indicator Light Illumination: Illuminates as soon as malfunction occurs.

5. DTC CLEAR CONDITION

- When the OK idling cycle is completed 40 times in a row
- When "Clear Memory" was performed

6. MALFUNCTION INDICATOR LIGHT CLEAR CONDITION

- When diagnosed OK with the similar driving for 3 driving cycles in a row
- When "Clear Memory" was performed

7. FAIL SAFE

None

8. ECM OPERATION AT DTC SETTING

Memorize the freeze frame data. (For test mode \$02)

GD(H4SO)-85

DIAGNOSTIC TROUBLE CODE (DTC) DETECTING CRITERIA

GENERAL DESCRIPTION

AK:DTC P0302 — CYLINDER 2 MISFIRE DETECTED —

1. OUTLINE OF DIAGNOSIS

For detecting criteria, refer to DTC P0301 — CYLINDER 1 MISFIRE DETECTED —. <Ref. to GD(H4SO)-81, DTC P0301 — CYLINDER 1 MISFIRE DETECTED —, Diagnostic Trouble Code (DTC) Detecting Criteria.>

AL:DTC P0303 — CYLINDER 3 MISFIRE DETECTED —

1. OUTLINE OF DIAGNOSIS

For detecting criteria, refer to DTC P0301 — CYLINDER 1 MISFIRE DETECTED —. <Ref. to GD(H4SO)-81, DTC P0301 — CYLINDER 1 MISFIRE DETECTED —, Diagnostic Trouble Code (DTC) Detecting Criteria.>

AM:DTC P0304 — CYLINDER 4 MISFIRE DETECTED —

1. OUTLINE OF DIAGNOSIS

For detecting criteria, refer to DTC P0301 — CYLINDER 1 MISFIRE DETECTED —. <Ref. to GD(H4SO)-81, DTC P0301 — CYLINDER 1 MISFIRE DETECTED —, Diagnostic Trouble Code (DTC) Detecting Criteria.>

DIAGNOSTIC TROUBLE CODE (DTC) DETECTING CRITERIA

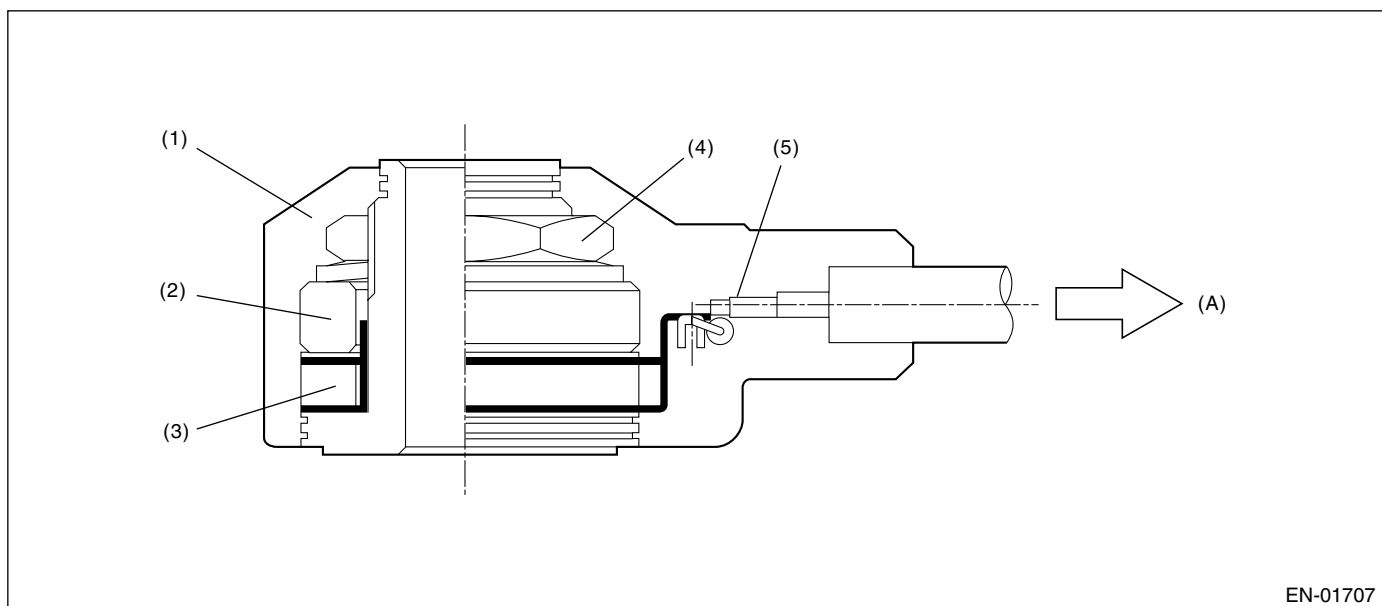
GENERAL DESCRIPTION

AN:DTC P0327 — KNOCK SENSOR 1 CIRCUIT LOW INPUT (BANK 1 OR SINGLE SENSOR) —

1. OUTLINE OF DIAGNOSIS

Detect the open or short circuit of knock sensor.
Judge NG when out of the standard value.

2. COMPONENT DESCRIPTION



- (1) Case
- (2) Weight
- (3) Piezoelectric element
- (4) Nut
- (5) Resistance

(A) To knock sensor harness

3. ENABLE CONDITION

Secondary Parameters	Enable Conditions
Engine speed	≥ 500 rpm
Battery voltage	≥ 8 V
Timer after starting the engine	≥ 1 second

4. GENERAL DRIVE CYCLE

Perform the diagnosis continuously after starting the engine.

5. DIAGNOSTIC METHOD

Judge NG when the continuous time until completing the malfunction criteria below becomes more than the time (2.5 seconds) needed for diagnosis. Judge OK when the malfunction criteria below are not completed.

Judgment Value

Malfunction Criteria	Threshold Value
Output voltage	< 0.6 V

Time Needed for Diagnosis: 2.5 seconds

Malfunction Indicator Light Illumination: Illuminates as soon as malfunction occurs.

GD(H4SO)-87

DIAGNOSTIC TROUBLE CODE (DTC) DETECTING CRITERIA

GENERAL DESCRIPTION

6. DTC CLEAR CONDITION

- When the OK idling cycle is completed 40 times in a row
- When "Clear Memory" was performed

7. MALFUNCTION INDICATOR LIGHT CLEAR CONDITION

- When the OK driving cycle was completed 3 times in a row
- When "Clear Memory" was performed

8. FAIL SAFE

- (1) Stop whole compensation, partial compensation, knock cancel compensation in ignition timing calculation at normal.
- (2) Knock cancel compensation of low engine coolant temperature is fixed value (7°C).
- (3) Stop partial compensation calculation of ignition leaning.

9. ECM OPERATION AT DTC

Memorize the freeze frame data. (For test mode \$02)

DIAGNOSTIC TROUBLE CODE (DTC) DETECTING CRITERIA

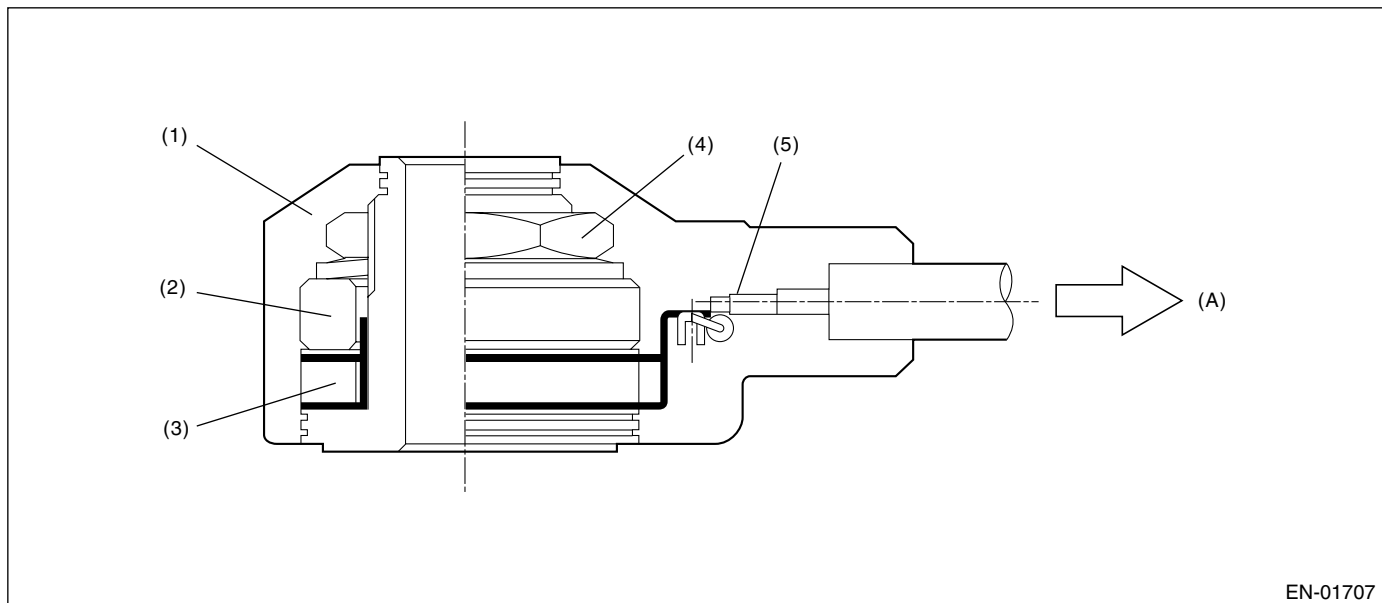
GENERAL DESCRIPTION

AO:DTC P0328 — KNOCK SENSOR 1 CIRCUIT HIGH INPUT (BANK 1 OR SINGLE SENSOR) —

1. OUTLINE OF DIAGNOSIS

Detect the open or short circuit of knock sensor.
Judge NG when out of the standard value.

2. COMPONENT DESCRIPTION



- (1) Case
- (2) Weight
- (3) Piezoelectric element
- (4) Nut
- (5) Resistance

(A) To knock sensor harness

3. ENABLE CONDITION

Secondary Parameters	Enable Conditions
Engine speed	≥ 500 rpm
Battery voltage	≥ 8 V
Timer after starting the engine	≥ 1 second

4. GENERAL DRIVE CYCLE

Perform the diagnosis continuously after starting the engine.

5. DIAGNOSTIC METHOD

Judge NG when the continuous time of completing the malfunction criteria below becomes more than the time (2.5 seconds) needed for diagnosis. Judge OK when the malfunction criteria below are not completed.

Judgment Value

Malfunction Criteria	Threshold Value
Output voltage	> 3.5 V

Time Needed for Diagnosis: 2.5 seconds

Malfunction Indicator Light Illumination: Illuminates as soon as malfunction occurs.

GD(H4SO)-89

DIAGNOSTIC TROUBLE CODE (DTC) DETECTING CRITERIA

GENERAL DESCRIPTION

6. DTC CLEAR CONDITION

- When the OK idling cycle is completed 40 times in a row
- When "Clear Memory" was performed

7. MALFUNCTION INDICATOR LIGHT CLEAR CONDITION

- When the OK driving cycle was completed 3 times in a row
- When "Clear Memory" was performed

8. FAIL SAFE

- (1) Stop whole compensation, partial compensation, knock cancel compensation in ignition timing calculation at normal.
- (2) Knock cancel compensation of low engine coolant temperature is fixed value (7°C).
- (3) Stop partial compensation calculation of ignition leaning.

9. ECM OPERATION AT DTC

Memorize the freeze frame data. (For test mode \$02)

DIAGNOSTIC TROUBLE CODE (DTC) DETECTING CRITERIA

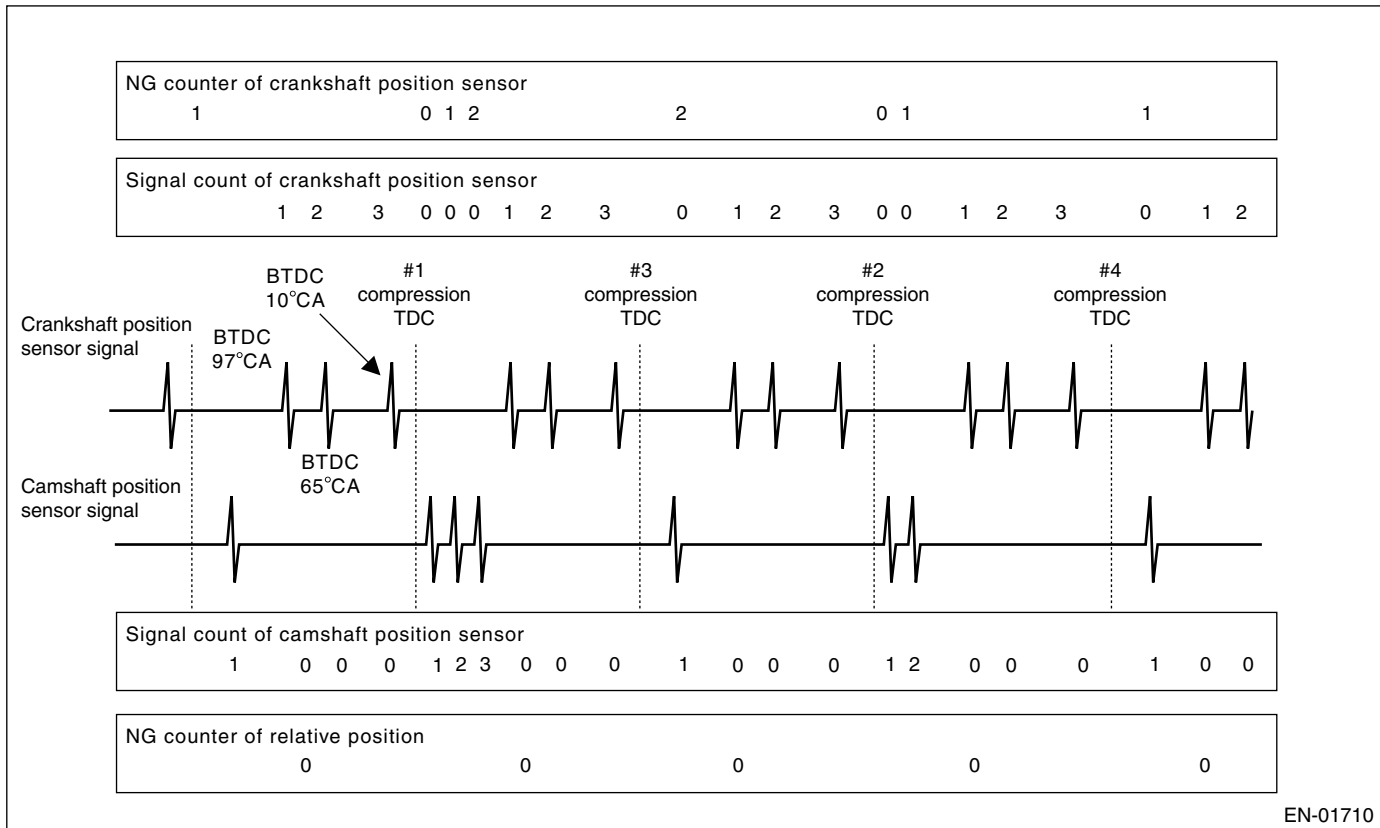
GENERAL DESCRIPTION

AP:DTC P0335 — CRANKSHAFT POSITION SENSOR “A” CIRCUIT —

1. OUTLINE OF DIAGNOSIS

Detect the open or short circuit of crankshaft position sensor.

Normally, the crankshaft position sensor signal and camshaft position sensor signal are input as shown below. But judge NG when continuing not to input the crankshaft position sensor signal.



• Cylinder judgment method

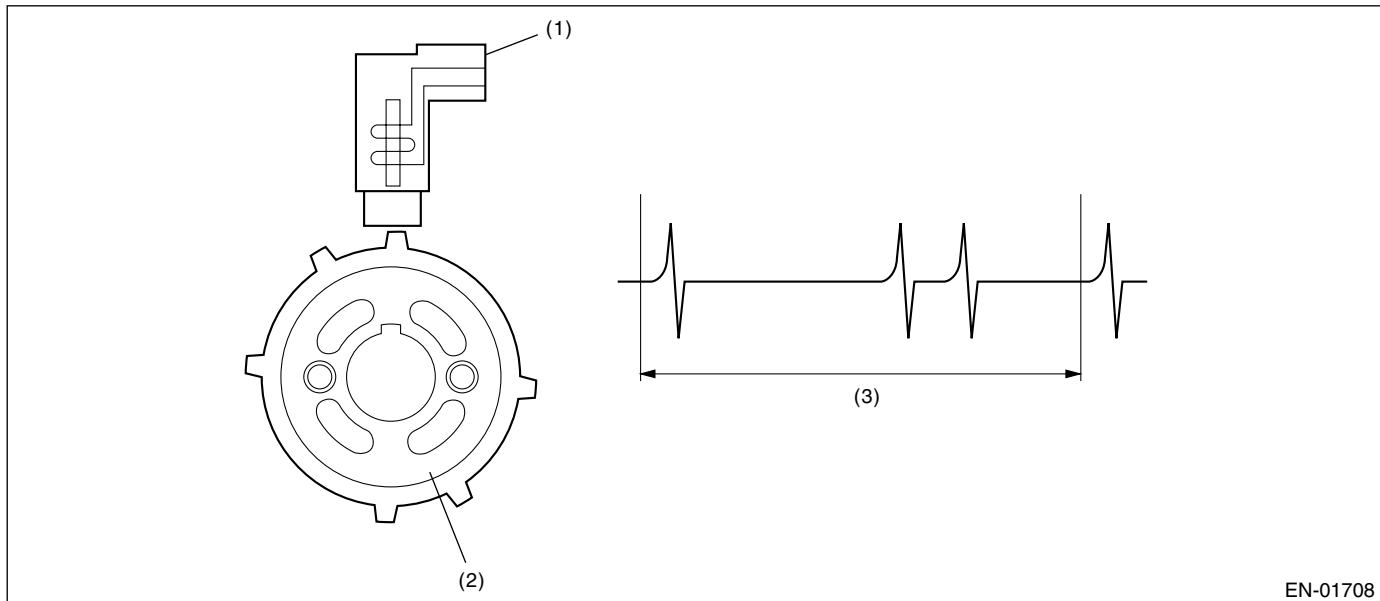
When inputting BTDC97°CA crankshaft position sensor signal, judge what cylinder piston is brought to the top dead center of compression by camshaft position sensor number.

Camshaft position sensor signal number	Next top dead center of compression
3	#3
1	#2
2	#4
1	#1

DIAGNOSTIC TROUBLE CODE (DTC) DETECTING CRITERIA

GENERAL DESCRIPTION

2. COMPONENT DESCRIPTION



EN-01708

- (1) Crankshaft position sensor
- (2) Crankshaft sprocket
- (3) Crankshaft half-turn

3. ENABLE CONDITION

Perform the diagnosis without condition.

4. GENERAL DRIVING CYCLE

Perform the diagnosis continuously.

5. DIAGNOSTIC METHOD

Judge OK and clear the NG when the malfunction criteria below are completed.

Judgment Value

Malfunction Criteria	Threshold Value
Camshaft position sensor signal	≥ 24

When the crankshaft position sensor signal is input, clear the above camshaft position sensor signal.

Time Needed for Diagnosis: 7 revs.

Malfunction Indicator Light Illumination: Illuminates as soon as malfunction occurs.

6. DTC CLEAR CONDITION

- When the OK idling cycle was completed 40 times in a row
- When "Clear Memory" was performed

7. MALFUNCTION INDICATOR LIGHT CLEAR CONDITION

- When the OK driving cycle was completed 3 times in a row
- When "Clear Memory" was performed

8. FAIL SAFE

None

9. ECM OPERATION AT DTC

Memorize the freeze frame data. (For test mode \$02)

GD(H4SO)-92

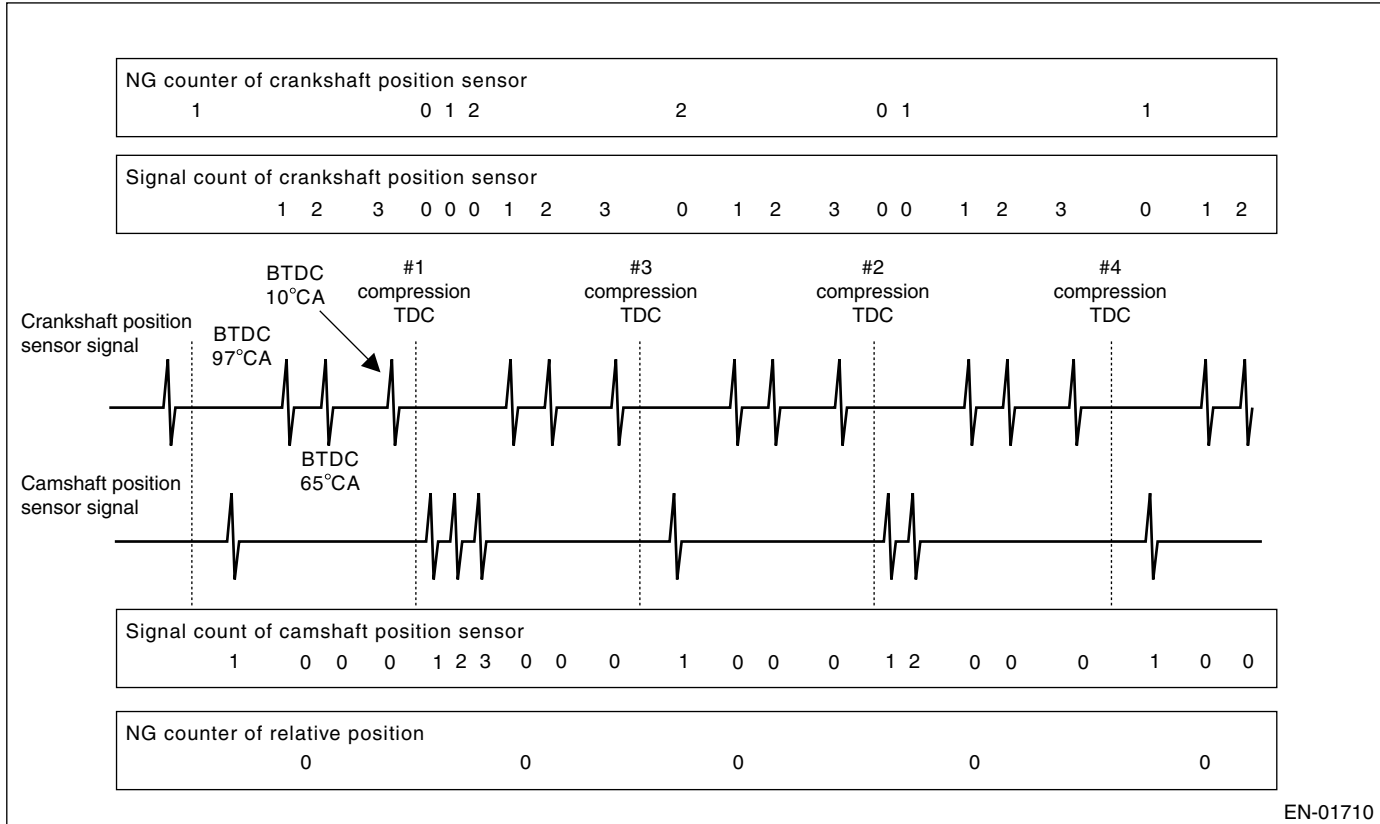
DIAGNOSTIC TROUBLE CODE (DTC) DETECTING CRITERIA

GENERAL DESCRIPTION

AQ:DTC P0336 — CRANKSHAFT POSITION SENSOR “A” CIRCUIT RANGE/ PERFORMANCE —

1. OUTLINE OF DIAGNOSIS

Detect the malfunction of crankshaft position sensor output property.
Compare the normal crankshaft position sensor signal with normal camshaft position sensor signal. When each input number does not correspond, judge NG.



• Cylinder judgment method

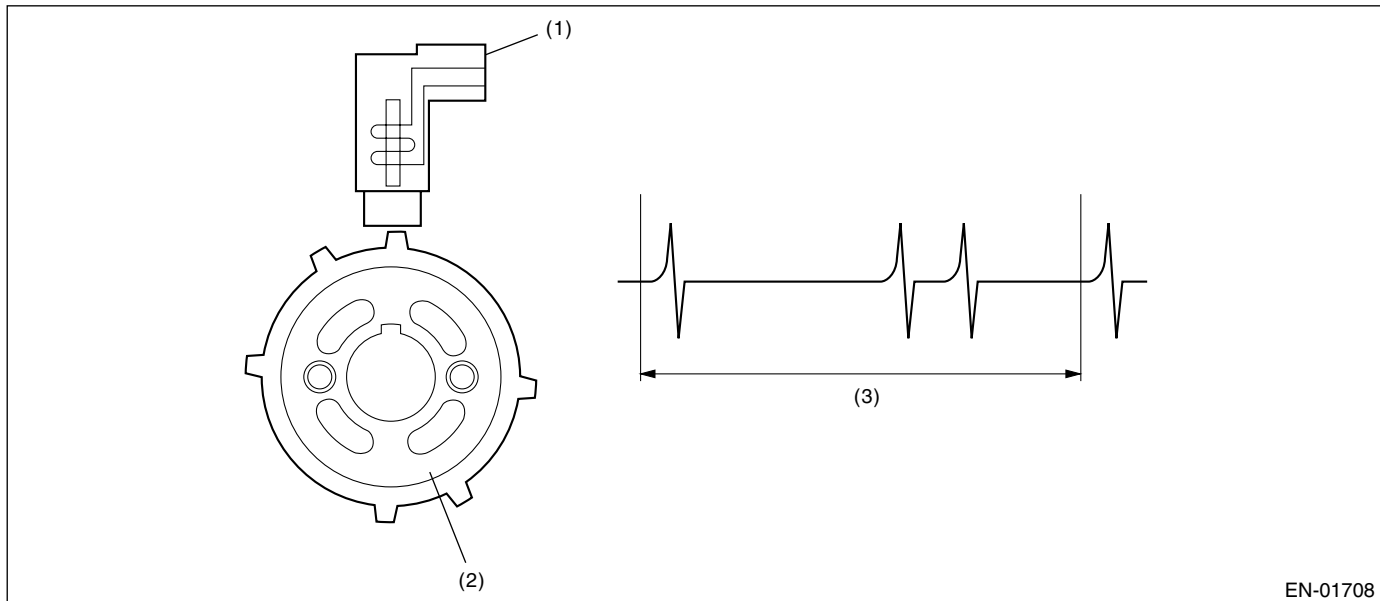
When BTDC97°CA crankshaft position sensor signal is input, judge what cylinder piston is brought to the top dead center of compression by camshaft position sensor signal number.

Camshaft position sensor signal number	Next top dead center of compression
3	#3
1	#2
2	#4
1	#1

DIAGNOSTIC TROUBLE CODE (DTC) DETECTING CRITERIA

GENERAL DESCRIPTION

2. COMPONENT DESCRIPTION



- (1) Crankshaft position sensor
- (2) Crankshaft sprocket
- (3) Crankshaft half-turn

3. ENABLE CONDITION

Perform the diagnosis without condition.

4. GENERAL DRIVE CYCLE

Perform the diagnosis continuously.

5. DIAGNOSTIC METHOD

When the camshaft position sensor signal is input, compare the total crankshaft position sensor signal number from occasion of previous camshaft position sensor signal input to now with crankshaft position sensor signal number at normal. Increase NG judgment counter when each number does not correspond at once. Judge NG when each number does not correspond sequentially (NG counter ≥ 32). Judge OK and clear NG when the crankshaft position sensor signal number corresponds (NG counter = 0).

Judgment Value

Malfunction Criteria	Threshold Value
Fault counter of relative position	≥ 32

Time Needed for Diagnosis: 10 revs.

Malfunction Indicator Light Illumination: Illuminates as soon as malfunction occurs.

6. DTC CLEAR CONDITION

- When the OK idling cycle was completed 40 times in a row
- When "Clear Memory" was performed

7. MALFUNCTION INDICATOR LIGHT CLEAR CONDITION

- When the OK driving cycle was completed 3 times in a row
- When "Clear Memory" was performed

8. FAIL SAFE

None



DIAGNOSTIC TROUBLE CODE (DTC) DETECTING CRITERIA

GENERAL DESCRIPTION

9. ECM OPERATION AT DTC

Memorize the freeze frame data. (For test mode \$02)



GD(H4SO)-95

DIAGNOSTIC TROUBLE CODE (DTC) DETECTING CRITERIA

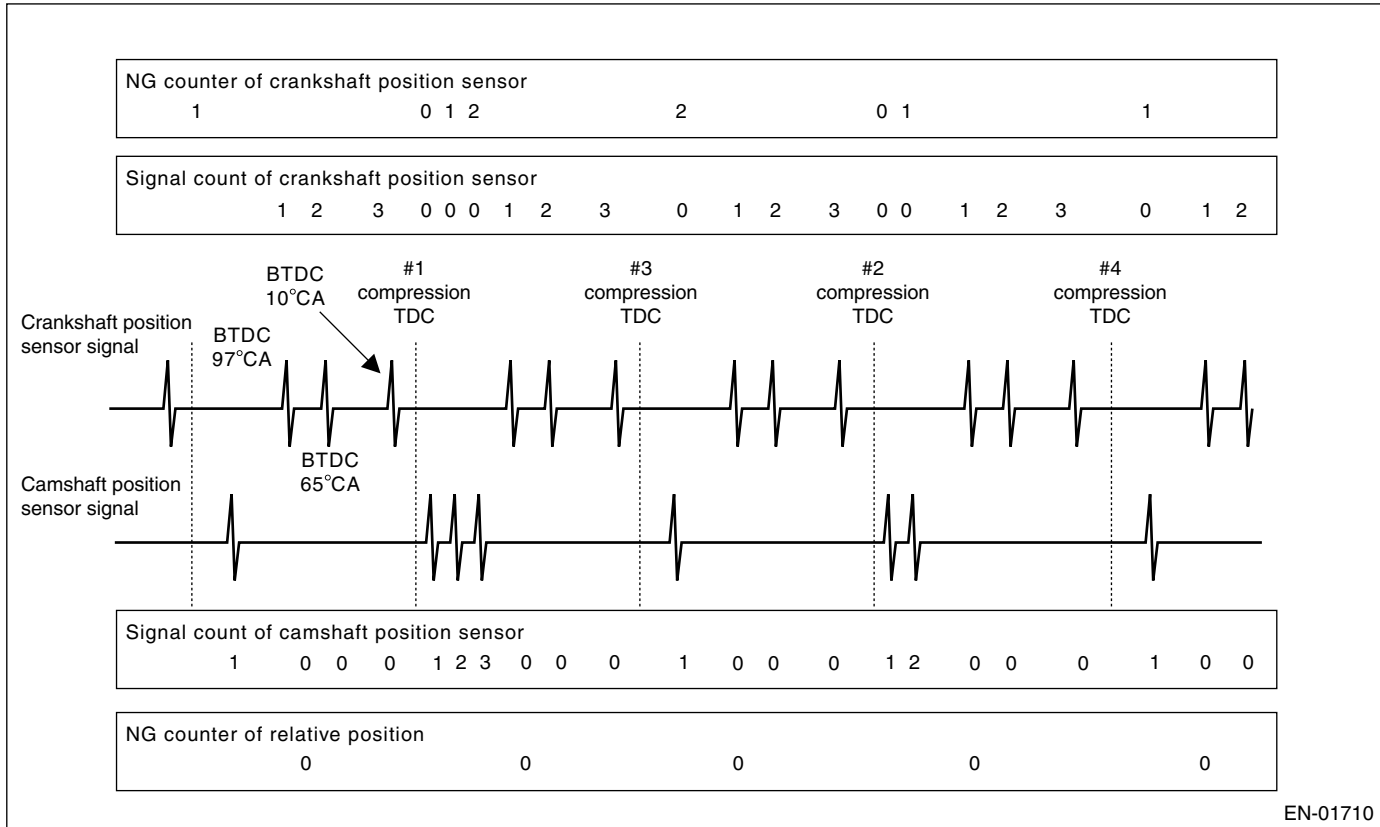
GENERAL DESCRIPTION

AR:DTC P0340 — CAMSHAFT POSITION SENSOR “A” CIRCUIT (BANK 1 OR SINGLE SENSOR) —

1. OUTLINE OF DIAGNOSIS

Detect the malfunction of crankshaft position sensor output property.

Judge NG when continuing not to input the camshaft position sensor signal.



• Cylinder judgment method

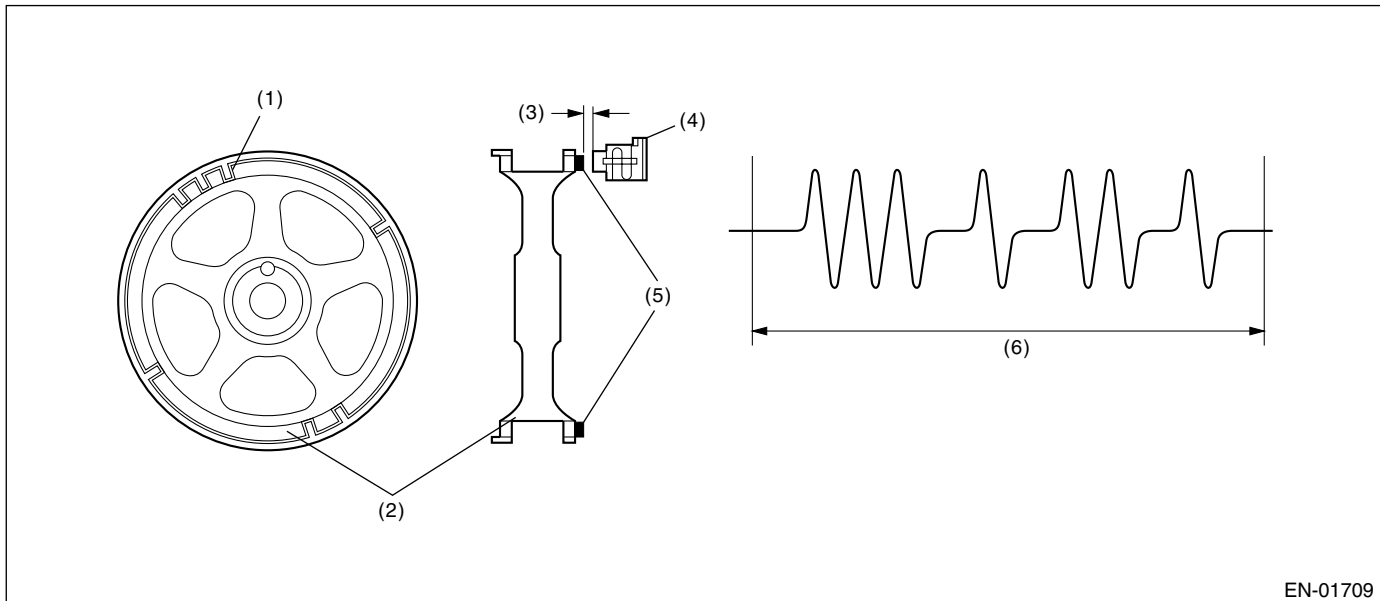
When BTDC97°CA crankshaft position sensor signal is input, judge what cylinder piston is brought to the top dead center of compression by camshaft position sensor signal number.

Camshaft position sensor signal number	Next top dead center of compression
3	#3
1	#2
2	#4
1	#1

DIAGNOSTIC TROUBLE CODE (DTC) DETECTING CRITERIA

GENERAL DESCRIPTION

2. COMPONENT DESCRIPTION



EN-01709

- (1) Boss
- (2) Camshaft sprocket
- (3) Air gap

- (4) Camshaft position sensor
- (5) Boss
- (6) Camshaft one turn (Crankshaft two turns)

3. ENABLE CONDITION

Perform the diagnosis without condition.

4. GENERAL DRIVING CYCLE

Perform the diagnosis continuously.

5. DIAGNOSTIC METHOD

When many crankshaft position sensor signals were input without camshaft position sensor signal input, judge OK and clear NG.

Judgment Value

Malfunction Criteria	Threshold Value
Crankshaft position sensor signal	≥ 36

Time Needed for Diagnosis: 6 revs.

Malfunction Indicator Light Illumination: Illuminates as soon as malfunction occurs.

6. DTC CLEAR CONDITION

- When the OK idling cycle was completed 40 times in a row
- When "Clear Memory" was performed

7. MALFUNCTION INDICATOR LIGHT CLEAR CONDITION

- When the OK driving cycle was completed 3 times in a row
- When "Clear Memory" was performed

8. FAIL SAFE

None

9. ECM OPERATION AT DTC

Memorize the freeze frame data. (For test mode \$02)

GD(H4SO)-97

DIAGNOSTIC TROUBLE CODE (DTC) DETECTING CRITERIA

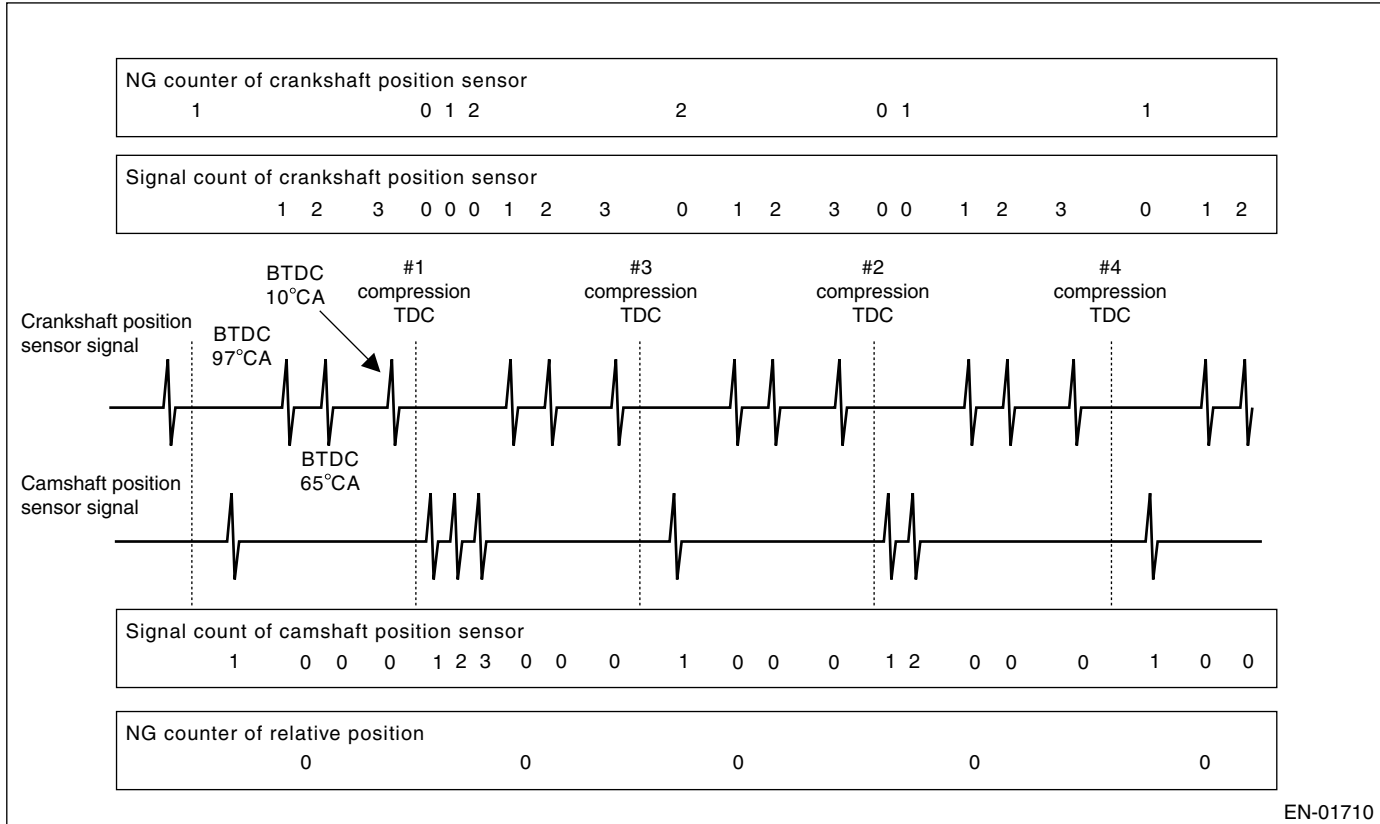
GENERAL DESCRIPTION

AS:DTC P0341 — CAMSHAFT POSITION SENSOR “A” CIRCUIT RANGE/PERFORMANCE (BANK 1 OR SINGLE SENSOR) —

1. OUTLINE OF DIAGNOSIS

Detect the malfunction of crankshaft position sensor output property.

Compare the normal crankshaft position sensor signal with normal camshaft position sensor signal. When each input number does not correspond, judge NG.



• Cylinder judgment method

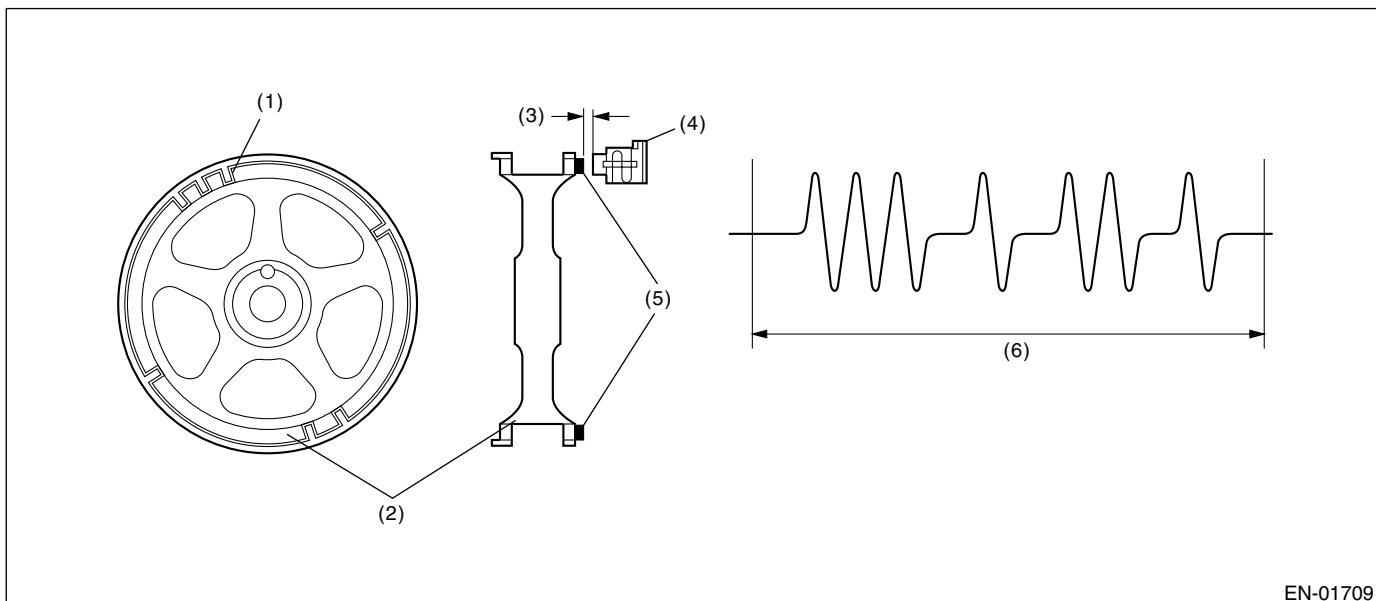
When BTDC97°CA crankshaft position sensor signal is input, judge what cylinder piston is brought to the top dead center of compression by camshaft position sensor signal number.

Camshaft position sensor signal number	Next top dead center of compression
3	#3
1	#2
2	#4
1	#1

DIAGNOSTIC TROUBLE CODE (DTC) DETECTING CRITERIA

GENERAL DESCRIPTION

2. COMPONENT DESCRIPTION



EN-01709

- (1) Boss
- (2) Camshaft sprocket
- (3) Air gap

- (4) Camshaft position sensor
- (5) Boss
- (6) Camshaft one turn (Crankshaft two turns)

3. ENABLE CONDITION

Perform the diagnosis without condition.

4. GENERAL DRIVE CYCLE

Perform the diagnosis continuously.

5. DIAGNOSTIC METHOD

When BTDC97°CA crankshaft position sensor signal is input, compare the camshaft position sensor signal number in past 4 times with camshaft position sensor signal number at normal. Increase NG judgment counter when each number does not correspond at once, judge OK and clear NG when the camshaft position sensor signal is normal.

Judgment Value

Malfunction Criteria	Threshold Value
Fault counter of relative position	≥ 32

Time Needed for Diagnosis: 6 revs.

Malfunction Indicator Light Illumination: Illuminates as soon as malfunction occurs.

6. DTC CLEAR CONDITION

- When the OK idling cycle was completed 40 times in a row
- When "Clear Memory" was performed

7. MALFUNCTION INDICATOR LIGHT CLEAR CONDITION

- When the OK driving cycle was completed 3 times in a row
- When "Clear Memory" was performed

8. FAIL SAFE

None

9. ECM OPERATION AT DTC

Memorize the freeze frame data. (For test mode \$02)

GD(H4SO)-99

DIAGNOSTIC TROUBLE CODE (DTC) DETECTING CRITERIA

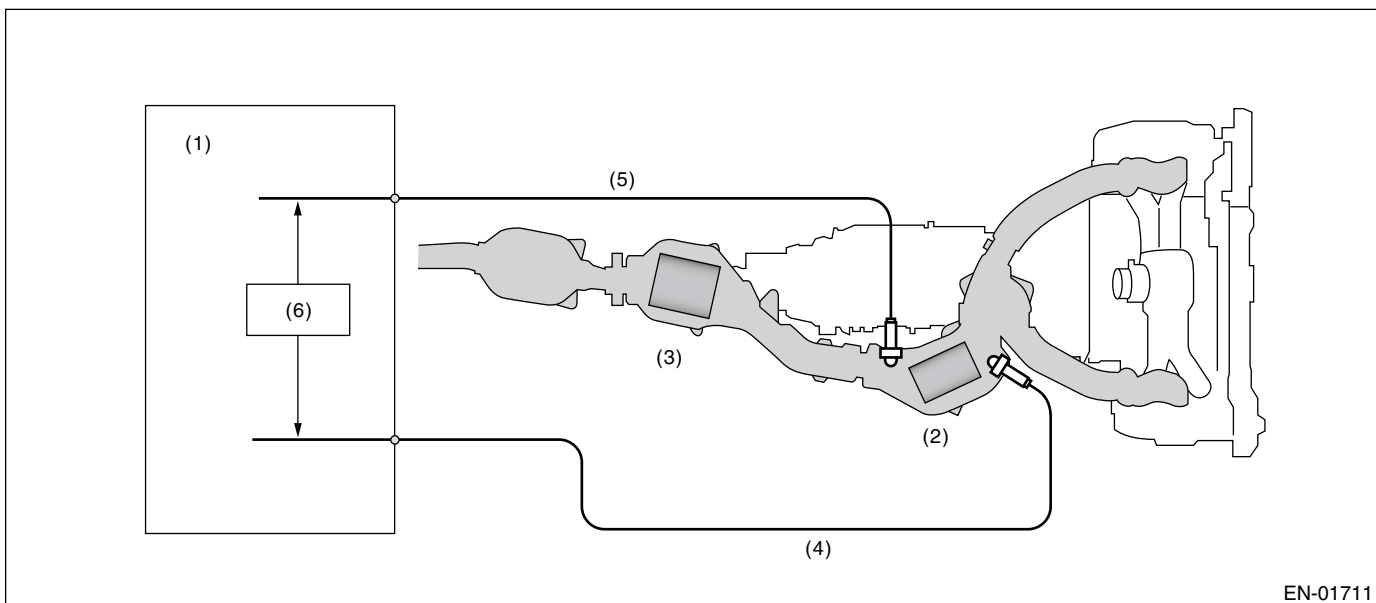
GENERAL DESCRIPTION

AT:DTC P0420 — CATALYST SYSTEM EFFICIENCY BELOW THRESHOLD (BANK 1) —

1. OUTLINE OF DIAGNOSIS

Check the catalyst efficiency deterioration.

Generally, the catalytic converter exhaust gas conversion efficiency and oxygen absorbing/removing function are inter-related. The front A/F sensor and rear oxygen sensor are therefore utilized to monitor the oxygen absorbing/removing function, and the results are used to monitor the conversion efficiency.



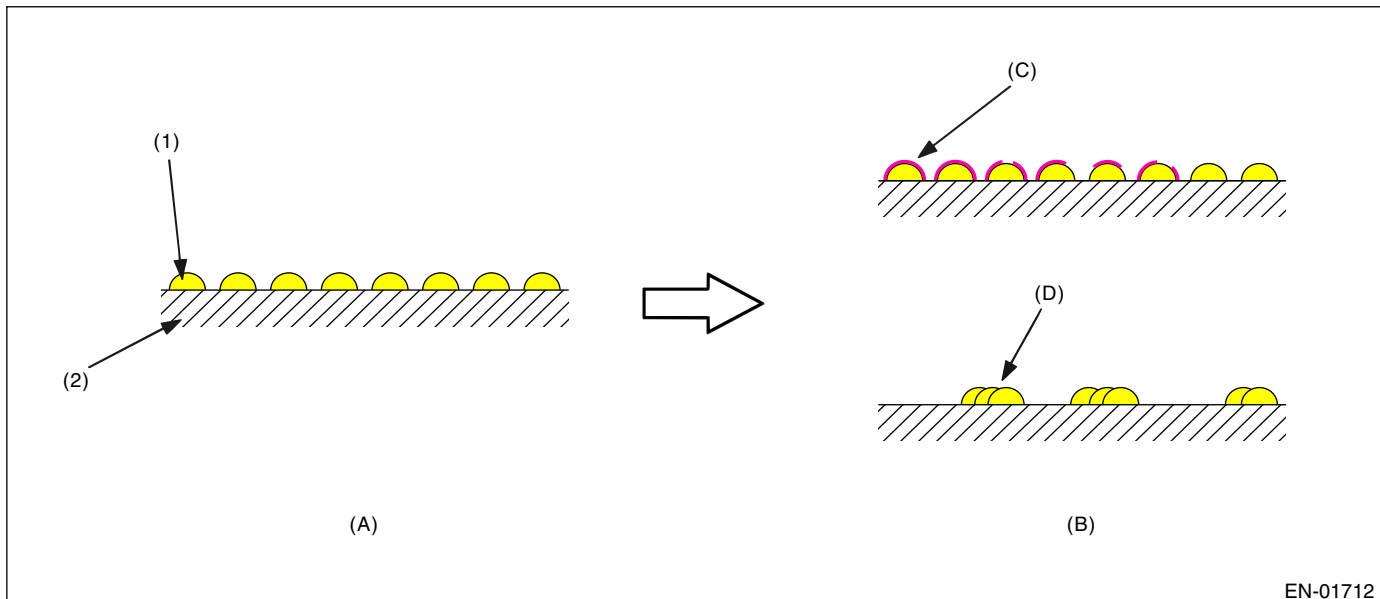
- (1) Engine control module (ECM)
- (2) Front catalyst converter
- (3) Rear catalyst converter

- (4) Front oxygen (A/F) sensor
- (5) Rear oxygen sensor
- (6) Diagnosis circuit

DIAGNOSTIC TROUBLE CODE (DTC) DETECTING CRITERIA

GENERAL DESCRIPTION

Oil adherence to the catalytic metal (an alloy of platinum and rhodium, or an alloy of platinum, rhodium and palladium) in catalyst converter or metal melting by extraordinary high temperature result in the decrease of metal surface area contacting exhaust gas. Eventually, catalytic conversion efficiency blunted and oxygen density of catalyst downstream may change.



- (1) Metal (catalytic function)
- (2) Monolith

- (A) Normal
- (B) Deterioration
- (C) Oil adherence
- (D) Metal melting by high temperature

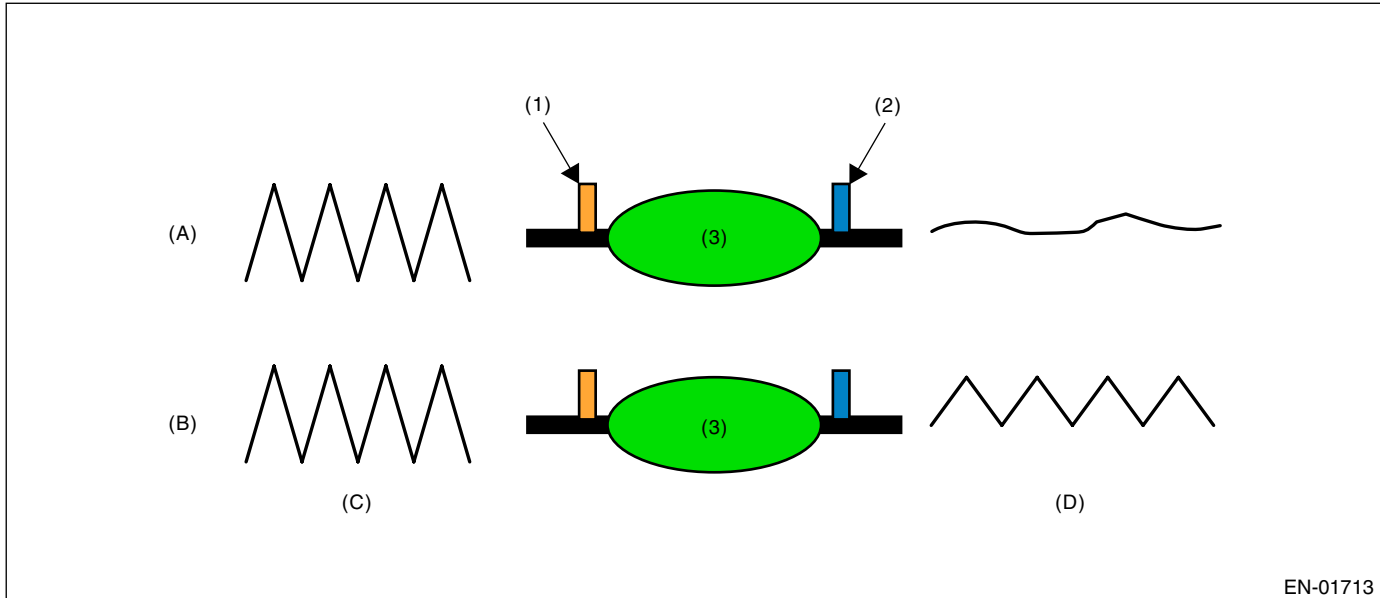
GD(H4SO)-101

DIAGNOSTIC TROUBLE CODE (DTC) DETECTING CRITERIA

GENERAL DESCRIPTION

Output of rear oxygen sensor changes gradually with a new catalyst, but the blunted catalyst efficiency mentioned above makes sensor output larger and inverse time shorter.

Therefore, catalyst diagnosis is conducted by monitoring the rear oxygen sensor output and comparing its output with the front A/F sensor output.



- (1) Front oxygen (A/F) sensor
- (2) Rear catalyst converter
- (3) Catalytic converter

- (A) Normal
- (B) Deterioration
- (C) Output waveform from the front oxygen (A/F) sensor
- (D) Output waveform from the rear oxygen sensor

DIAGNOSTIC TROUBLE CODE (DTC) DETECTING CRITERIA

GENERAL DESCRIPTION

2. ENABLE CONDITION

Secondary Parameters	Enable Conditions
Idle switch off after coolant temp 71°C (160°F)	180 seconds
Closed loop control continuous 5 seconds	Not in standstill
Vehicle speed	24 — 140 km/h (15 — 87 MPH)
Injector pulse (AT)	0.832 — 4.096 milli-seconds
(MT)	0.384 — 3.840 milli-seconds
Closed loop control with rear oxygen sensor	Operating
Engine misfire during 400 ignitions	≤ 5 times
Lambda	0.625 — 1.375
Engine speed (AT)	600 — 3000 rpm
(MT)	1000 — 3300 rpm
Neutral position	OFF
Engine coolant temperature	≥ 75°C (167°F)
Throttle position (AT)	< 14.72°
(MT)	< 17.60°
Average AIA during diagnosis	≥ 35.2 kg/h
Integrated fluctuating AIA during diagnosis	> 160 kg/h
After fuel shut-off finished	1 seconds or more
Accumulated amount of intake air (AIA) (entry condition)	0.84 kg (1.85 lb)/60 seconds
Vehicle speed (continuous 80 seconds) (entry condition)	≥ 20 km/h (12 MPH)
Injector pulse (continuous 40 seconds) (entry condition)	1.34 — 4.22 milliseconds
Vehicle speed (continuous 70 seconds) (entry condition)	≥ 74 km/h (46 MPH)
Catalyst deterioration diagnosis	Incomplete

3. GENERAL DRIVING CYCLE

Perform the diagnosis once with a constant vehicle speed 80 — 100 km/h (49.7 — 62.1 MPH).

DIAGNOSTIC TROUBLE CODE (DTC) DETECTING CRITERIA

GENERAL DESCRIPTION

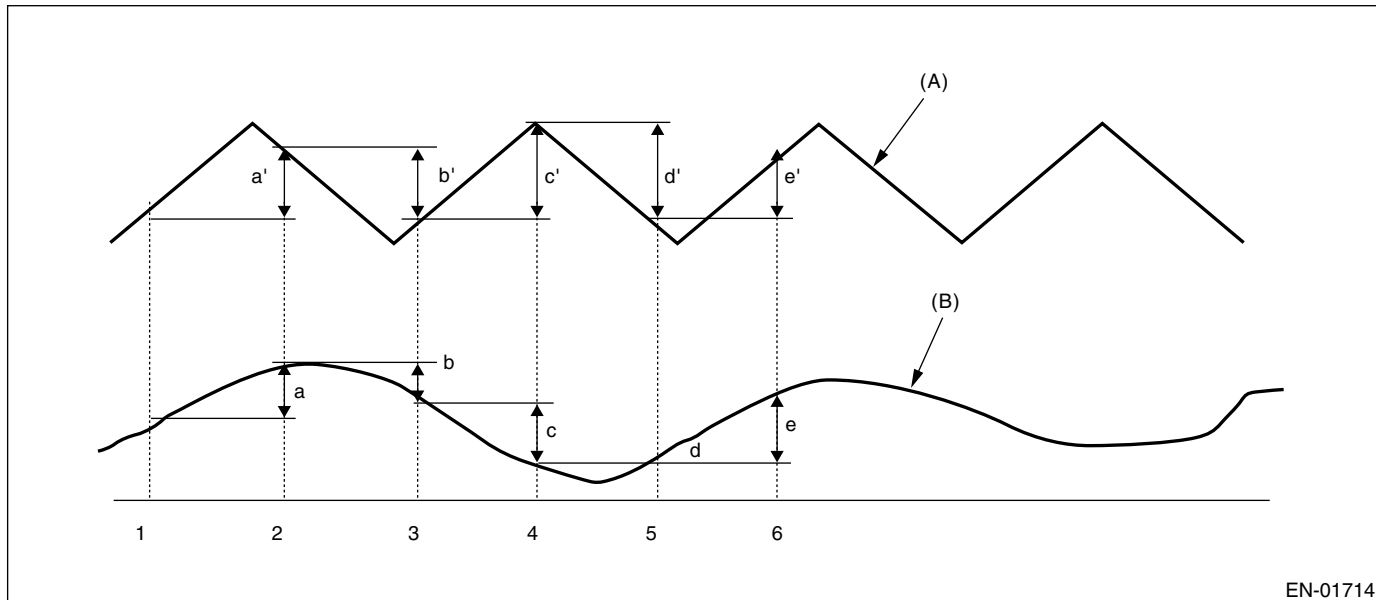
4. DIAGNOSTIC METHOD

• Output fluctuation accumulate method

The accumulated value of front A/F sensor output changes and the accumulated value of rear oxygen sensor output changes are determined, and the diagnostic value is calculated using the following formula.

Diagnostic value = Accumulated value of rear oxygen sensor output changes / Accumulated value of front A/F sensor output changes

For example



(A) Front oxygen (A/F) sensor output waveform
(B) Rear oxygen sensor output waveform

Judge NG when the malfunction criteria below are completed, and judge OK when they are not completed.

Judgment Value

Malfunction Criteria	Threshold Value
Accumulated variation of output Voltage of rear oxygen sensor per 50 milliseconds divided by accumulated Variation of output voltage of front lambda sensor per 50 milliseconds	≥ 1.5

Time Needed for Diagnosis: 45 seconds

Malfunction Indicator Light Illumination: Illuminates when malfunction occurs in 2 continuous driving cycles.

5. DTC CLEAR CONDITION

- When the OK idling cycle is completed 40 times in a row
- When "Clear Memory" was performed

6. MALFUNCTION INDICATOR LIGHT CLEAR CONDITION

- When the OK driving cycle is completed 3 times in a row
- When "Clear Memory" was performed

7. FAIL SAFE

None

8. ECM OPERATION AT DTC SETTING

- Memorize the freeze frame data. (For test mode \$02)
- Memorize the diagnosis value and trouble standard value. (For test mode \$06)

GD(H4SO)-104

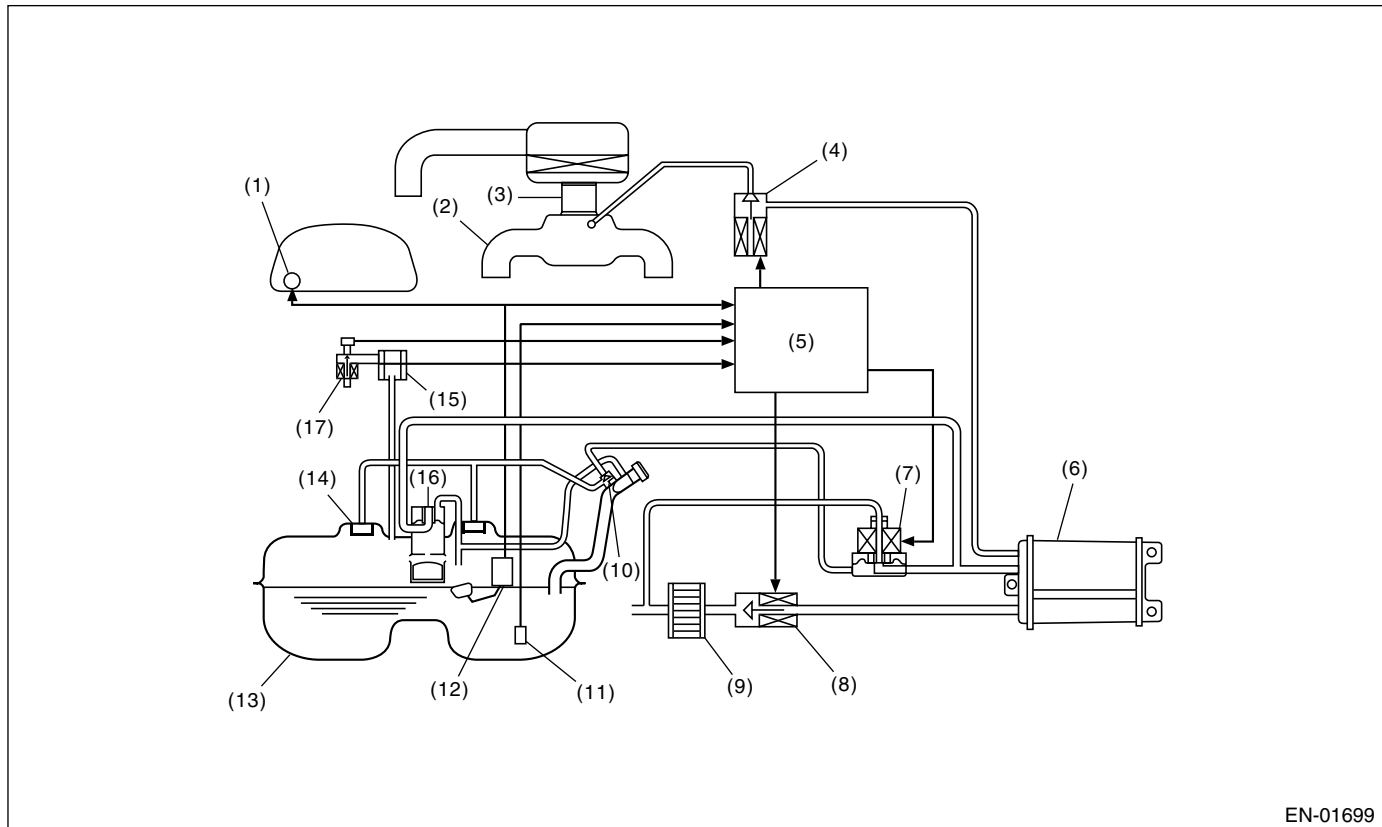
DIAGNOSTIC TROUBLE CODE (DTC) DETECTING CRITERIA

GENERAL DESCRIPTION

AU:DTC P0442 — EVAPORATIVE EMISSION CONTROL SYSTEM LEAK DETECTED (SMALL LEAK) —

1. OUTLINE OF DIAGNOSIS

Check if there is a leakage in fuel system or not, and perform the function diagnosis of valve.



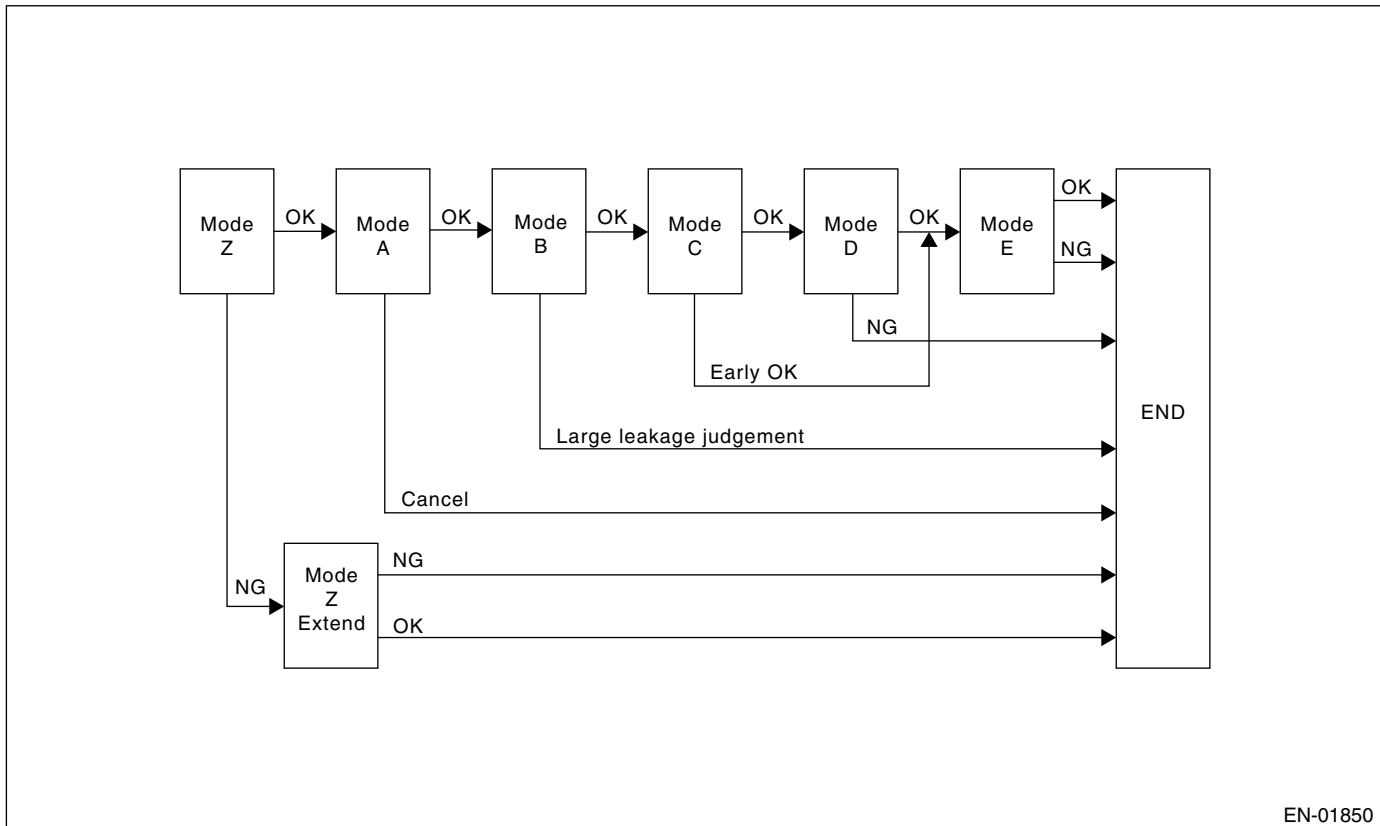
- | | |
|-------------------------------------|---|
| (1) Fuel gauge | (10) Shut-off valve |
| (2) Intake manifold | (11) Fuel temperature sensor |
| (3) Throttle body | (12) Fuel level sensor |
| (4) Purge control solenoid valve | (13) Fuel tank |
| (5) Engine control module (ECM) | (14) Fuel cut valve |
| (6) Canister | (15) Fuel tank pressure sensor |
| (7) Pressure control solenoid valve | (16) Vent valve |
| (8) CCV | (17) Tank pressure switching solenoid valve |
| (9) Drain filter | |

In this system diagnosis, checking for leakage and valve function is conducted by changing the fuel tank pressure with each solenoid valve switched to ON/OFF, and monitoring the pressure change using the fuel tank pressure sensor. 0.04 inch diagnosis is performed in the order of mode Z, mode A, mode B, mode C, mode D and mode E, and 0.02 inch diagnosis is performed in the order of mode Y, mode A, mode B, mode C, mode D and mode E.

DIAGNOSTIC TROUBLE CODE (DTC) DETECTING CRITERIA

GENERAL DESCRIPTION

• 0.04-inch Diagnosis

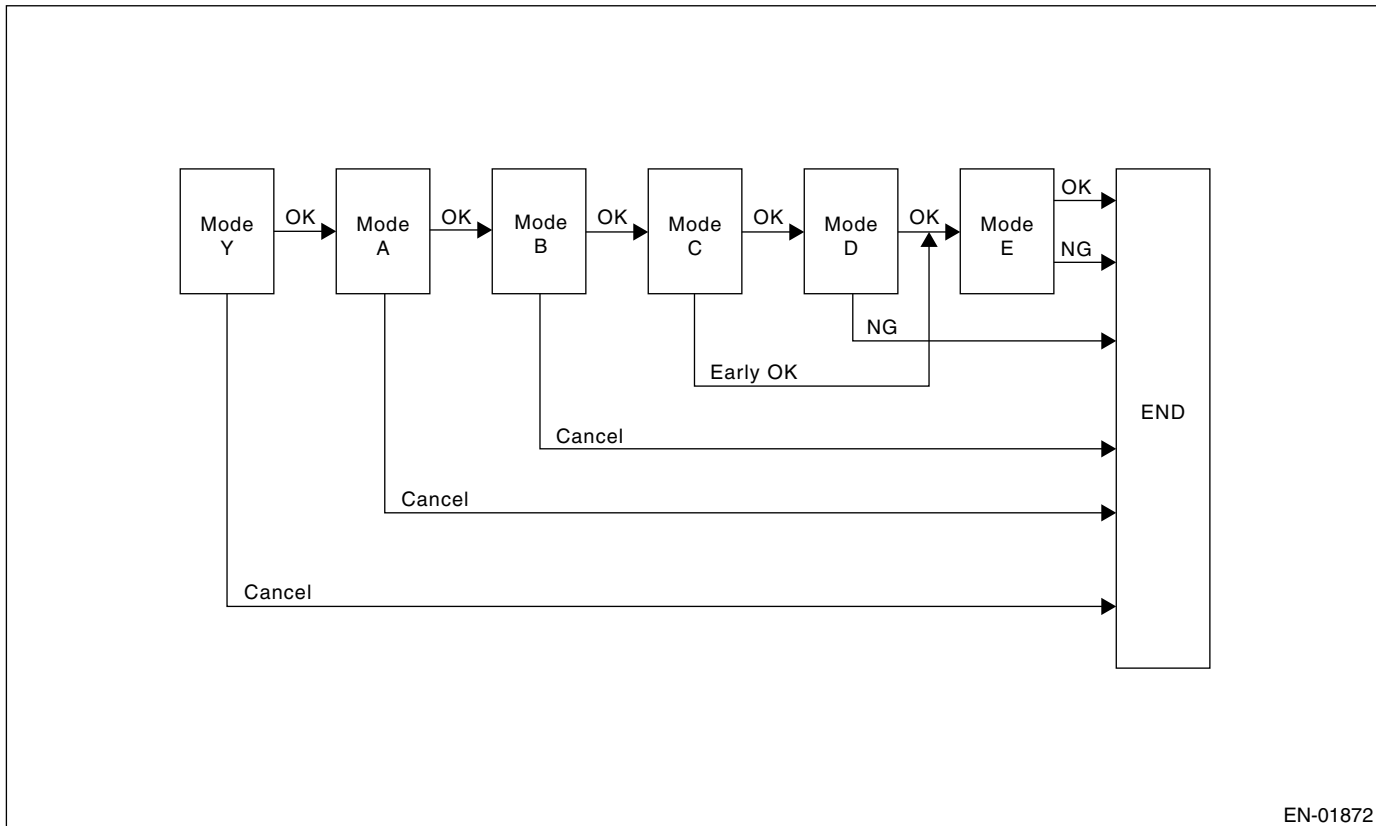


Mode	Mode Description	Diagnosis Period
Mode Z (CPC abnormal open diagnosis, CCV abnormal close diagnosis)	Perform with CPC Duty = 0%, Pressure control solenoid valve = ON (open) → CCV = ON (closed), and carry out CPC open trouble and CCV close trouble diagnosis according to tank pressure change amount.	3 — 16 seconds
Mode A (Estimated evaporation amount)	Calculate the tank pressure change amount (P1).	7 — 15.5 seconds
Mode B (Sealed negative pressure, large leakage judgement)	Manipulate CPC, introduce the intake manifold pressure to the fuel tank and reduce the tank pressure to the desired value. If the tank pressure cannot be reduced, it is diagnosed as large leak.	5 — 35 seconds
Mode C (Pressure increase check, advanced OK judgment)	With CPC Duty = 0%, wait until the tank pressure becomes P2 calculation start pressure. If the tank pressure does not become the value, make advanced OK judgment.	4 — 16 seconds
Mode D (Negative pressure variation mea- surement, evaporation leakage diagnosis)	Calculate the tank pressure variation (P2), and obtain the diagnostic value using P1 of Mode 1. Perform the evaporation leakage diagnosis using the diagnostic value.	7 — 15.5 seconds
Mode E (CCV property abnormal diagnosis)	Manipulate CCV = OFF (open) and perform the CCV property abnormal diagnosis according to the tank pressure change amount.	4 seconds

DIAGNOSTIC TROUBLE CODE (DTC) DETECTING CRITERIA

GENERAL DESCRIPTION

• 0.02-inch Diagnosis



EN-01872

Mode	Mode Description	Diagnosis Period
Mode Y (Tank pressure stabilization)	Perform with CPC Duty = 0%, Pressure control solenoid valve = ON (open) and CCV = OFF (close), and return the tank pressure to atmosphere.	0.1 seconds
Mode A (Estimated evaporation amount)	With CPC Duty = 0%, Pressure control solenoid valve = ON (open) and CCV = ON (close), and calculate the tank pressure change amount (P1).	18 — 29 seconds
Mode B (Negative pressure sealed)	Manipulate CPC, introduce the intake manifold pressure to the fuel tank and reduce the tank pressure to the desired value.	10 — 62 seconds
Mode C (Pressure increase check, advanced OK judgment)	With CPC Duty = 0%, wait until the tank pressure becomes P2 calculation start pressure. If the tank pressure does not become the value, make advanced OK judgment.	5 — 20 seconds
Mode D (Negative pressure variation measurement, evaporation leakage diagnosis)	Calculate the tank pressure variation (P2), and obtain the diagnostic value using P1 of Mode 1. Perform the evaporation leakage diagnosis using the diagnostic value.	14 — 25 seconds
Mode E (CCV property abnormal diagnosis)	Manipulate CCV = OFF (open) and perform the CCV property abnormal diagnosis according to the tank pressure change amount.	4 seconds

DIAGNOSTIC TROUBLE CODE (DTC) DETECTING CRITERIA

GENERAL DESCRIPTION

• Mode Table for Evaporative Emission Control System Diagnosis

0.04-inch Diagnosis

Mode	Behavior of tank internal pressure under normal conditions	Diagnostic item	DTC
Mode Z	Nearly same as atmospheric pressure (equivalent pressure of 0 kPa (0 mmHg, 0 inHg))	CCV is judged to be stuck closed.	P1443
		CPC is judged to be stuck open.	P0457
Mode A	Pressure is in proportion to amount of evaporation gas occurrence.		
Mode B	Negative pressure is formed due to intake manifold negative pressure	Large leakage judgment	P0457
Mode C	Target pressure is reached after CPC is closed.		
Mode D	Pressure change is small.	Evaporation system is judged to have large leak [1.0 mm (0.04 in)].	P0442
Mode E	Return to atmosphere	CCV property judgment	P1443

0.02-inch Diagnosis

Mode	Behavior of tank internal pressure under normal conditions	Diagnostic item	DTC
Mode Y	Return to atmosphere		
Mode A	Pressure is in proportion to amount of evaporation gas occurrence.		
Mode B	Negative pressure is formed due to intake manifold negative pressure		
Mode C	Target pressure is reached after CPC is closed.		
Mode D	Pressure change is small.	P2 measurement of small leak in system. Evaporation system is judged to have small leak [0.5 mm (0.02 in.)].	P0456
Mode E	Return to atmosphere	CCV property judgment	P1443

DIAGNOSTIC TROUBLE CODE (DTC) DETECTING CRITERIA

GENERAL DESCRIPTION

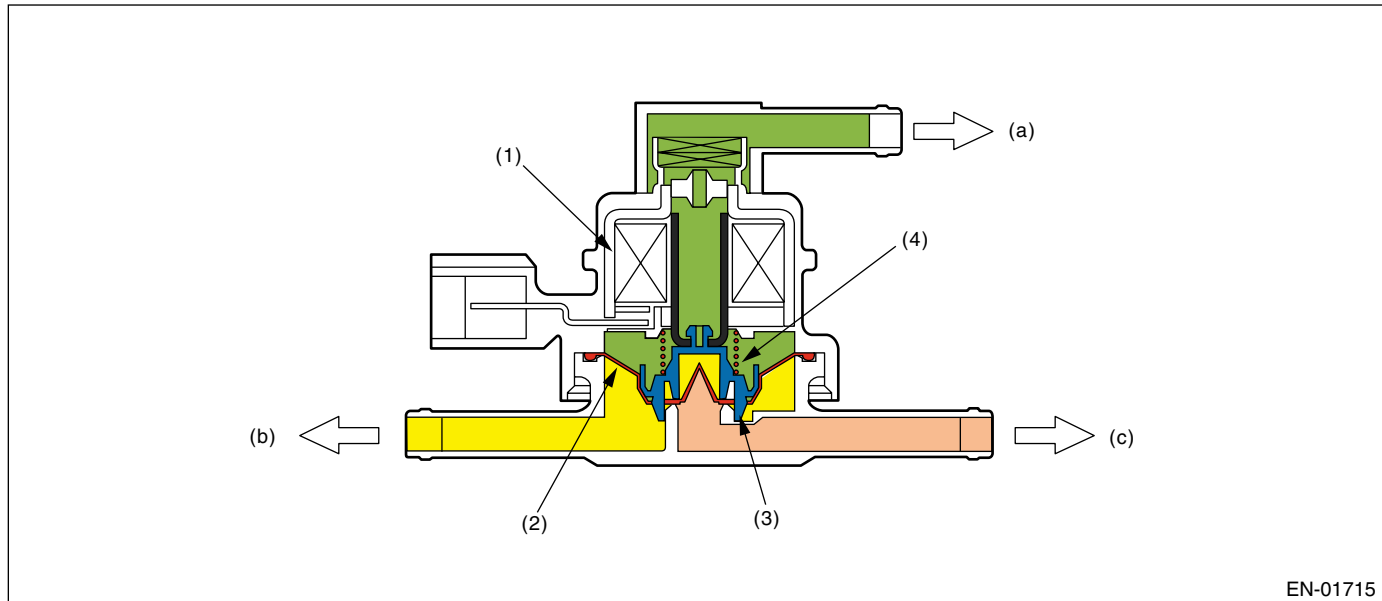
2. COMPONENT DESCRIPTION

• Pressure Control Solenoid Valve

PCV controls the fuel tank pressure to be equal to the atmospheric air pressure.

Normally, the solenoid is set to OFF. And the valve opens and closes mechanically in accordance with the pressure difference between tank and atmospheric air, or tank and canister.

The valve is forcibly opened by setting the solenoid to ON at the time of diagnosis.



- (1) Solenoid
- (2) Diaphragm
- (3) Valve
- (4) Spring

- (a) Atmospheric pressure
- (b) Fuel tank
- (c) Canister

GD(H4SO)-109

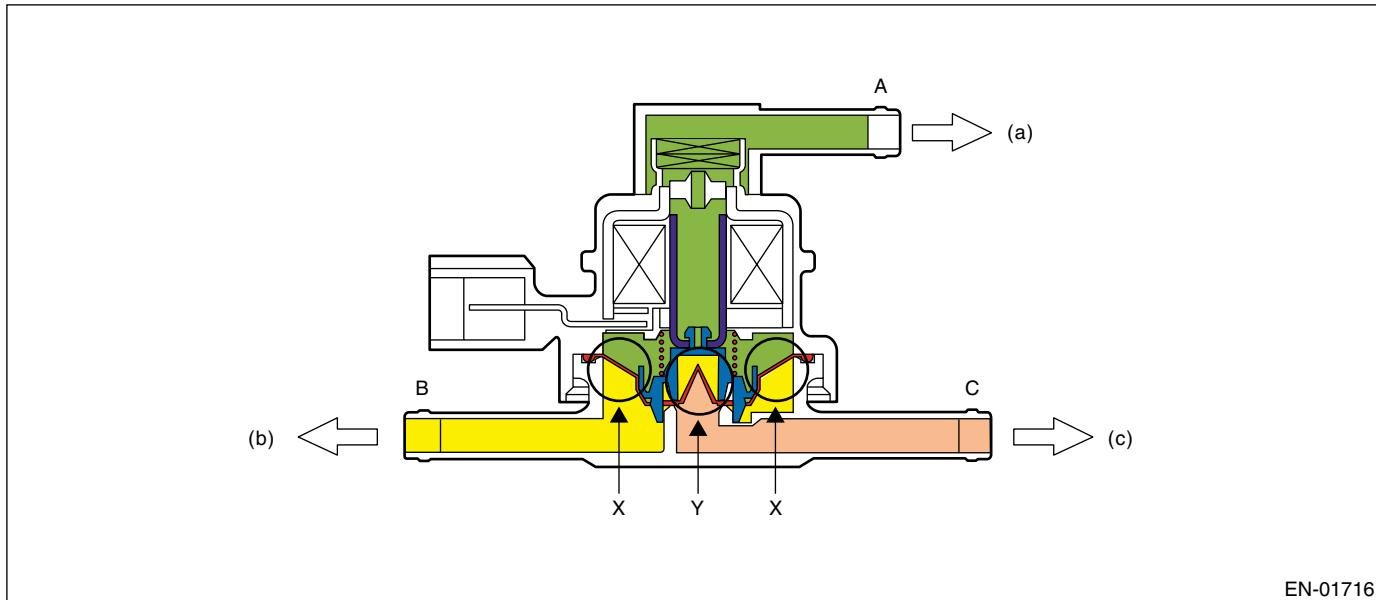
DIAGNOSTIC TROUBLE CODE (DTC) DETECTING CRITERIA

GENERAL DESCRIPTION

• Valve Operation and Air Flow

In the figure below, divided by the diaphragm, the part above X is charged with atmospheric air pressure, and the part below X is charged with tank pressure. Also, the part above Y is charged with tank pressure, and the part below Y is charged with canister pressure.

If the atmospheric pressure port is A, tank pressure port is B, and canister pressure port is C, the air flows according to pressure difference from each port as shown in the table below.



- (a) Atmospheric pressure
- (b) Fuel tank
- (c) Canister

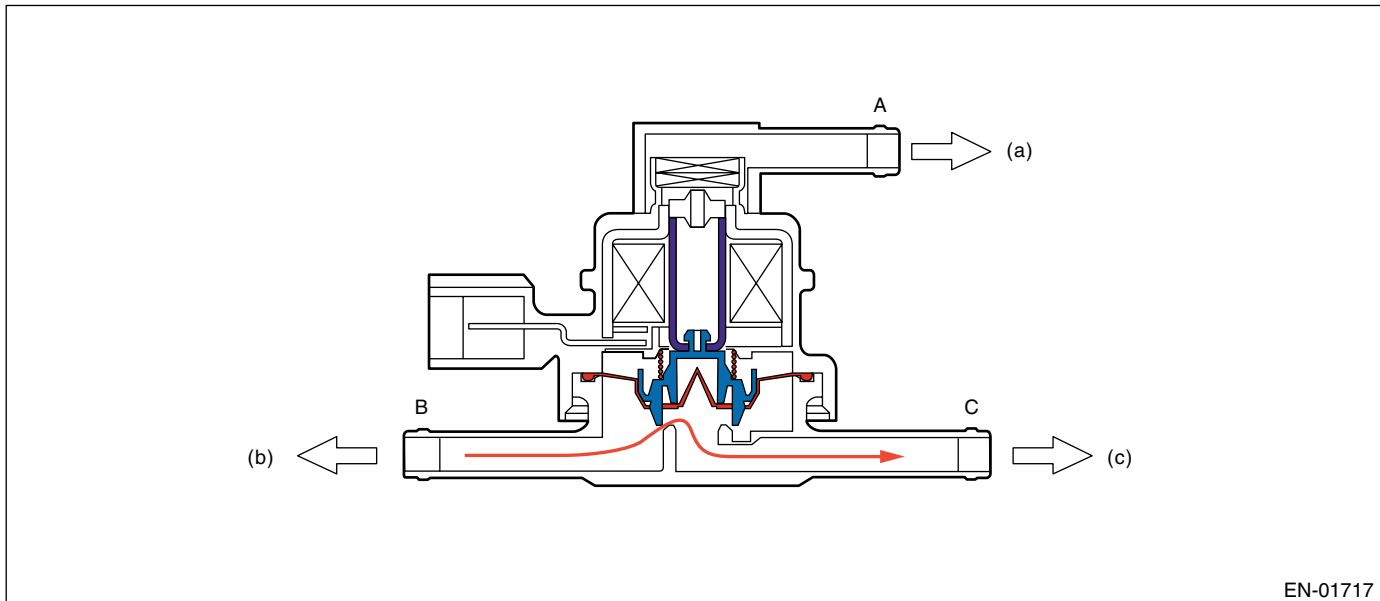
Condition of pressure	Flow
$A < B$ (solenoid OFF)	$B \rightarrow C$
$B < C$ (solenoid OFF)	$C \rightarrow B$
Solenoid ON	$B \leftrightarrow C$

GD(H4SO)-110

DIAGNOSTIC TROUBLE CODE (DTC) DETECTING CRITERIA

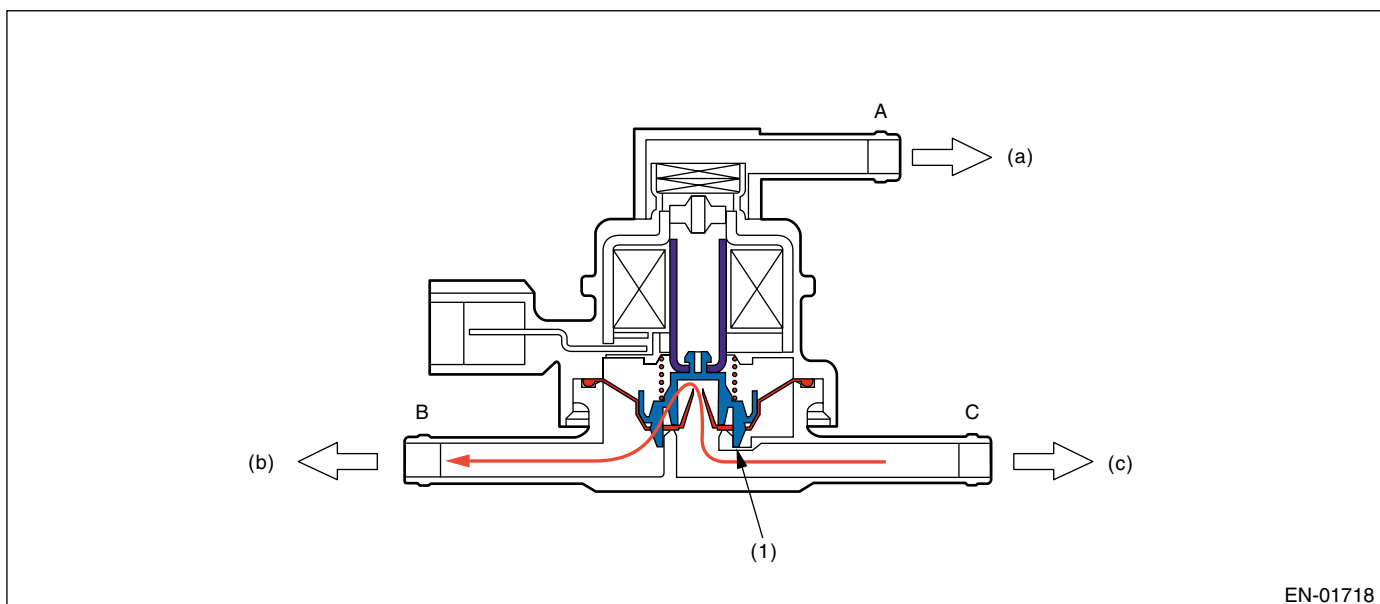
GENERAL DESCRIPTION

• When $A < B$ (Solenoid OFF)



- (a) Atmospheric pressure
- (b) Fuel tank
- (c) Canister

• When $B < C$ (Solenoid OFF)



(1) Valve

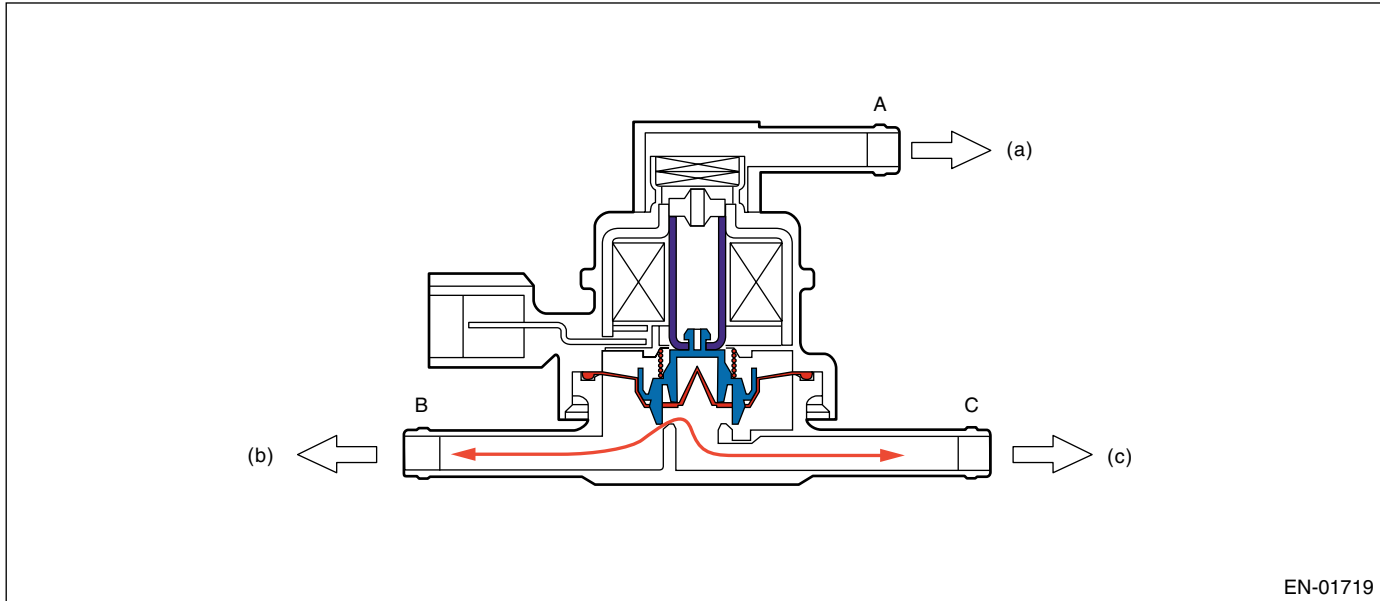
- (a) Atmospheric pressure
- (b) Fuel tank
- (c) Canister

GD(H4SO)-111

DIAGNOSTIC TROUBLE CODE (DTC) DETECTING CRITERIA

GENERAL DESCRIPTION

• When Solenoid is ON



- (a) Atmospheric pressure
- (b) Fuel tank
- (c) Canister

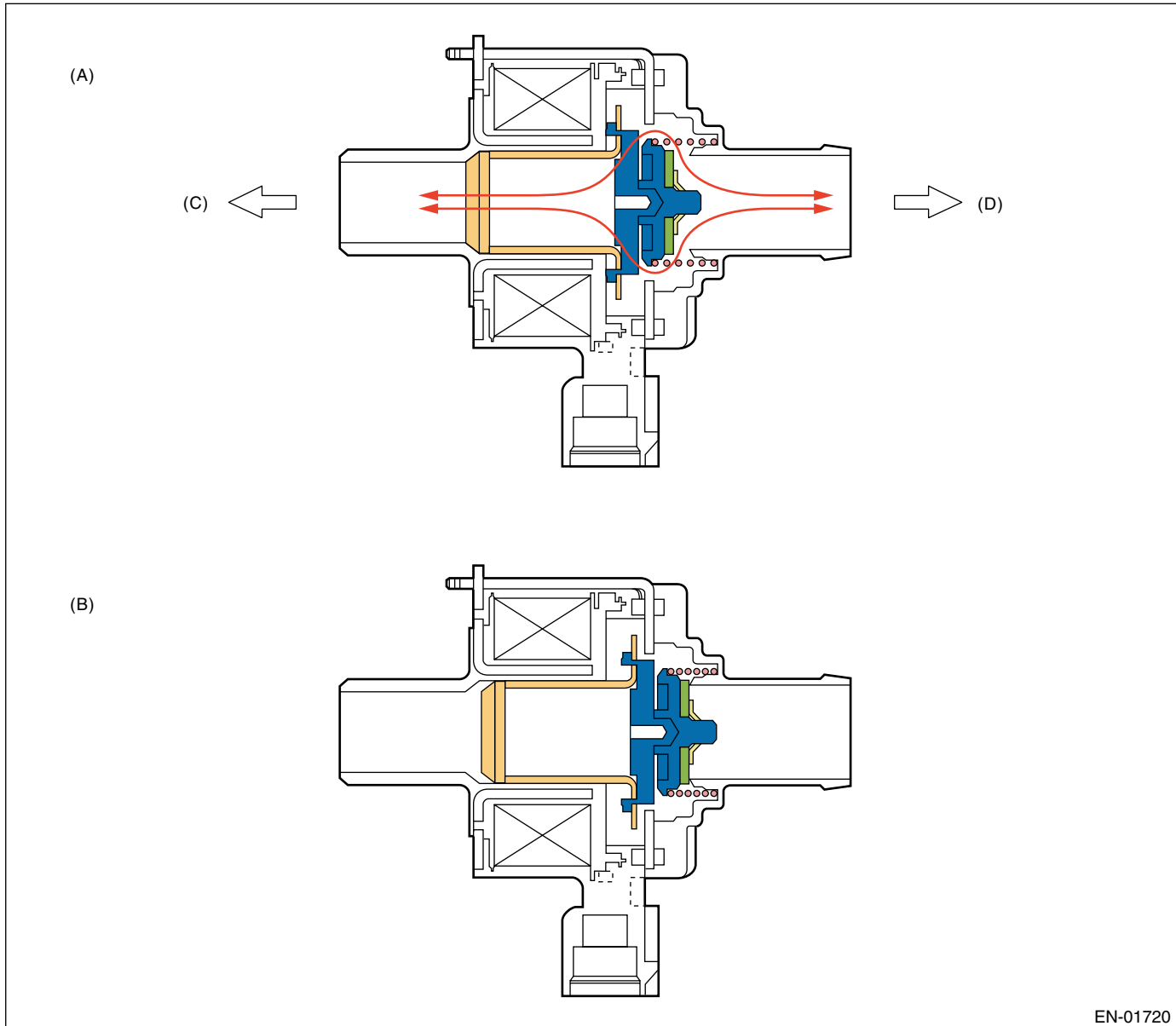
GD(H4SO)-112

DIAGNOSTIC TROUBLE CODE (DTC) DETECTING CRITERIA

GENERAL DESCRIPTION

• CCV

CCV controls the ambient air to be introduced to the canister. Normally the solenoid is set to OFF and the valve is open. The valve is closed when the solenoid is set to ON only at the time of diagnosis.



- (A) Open (Solenoid OFF)
- (B) Close (Solenoid ON)
- (C) Filter
- (D) Canister

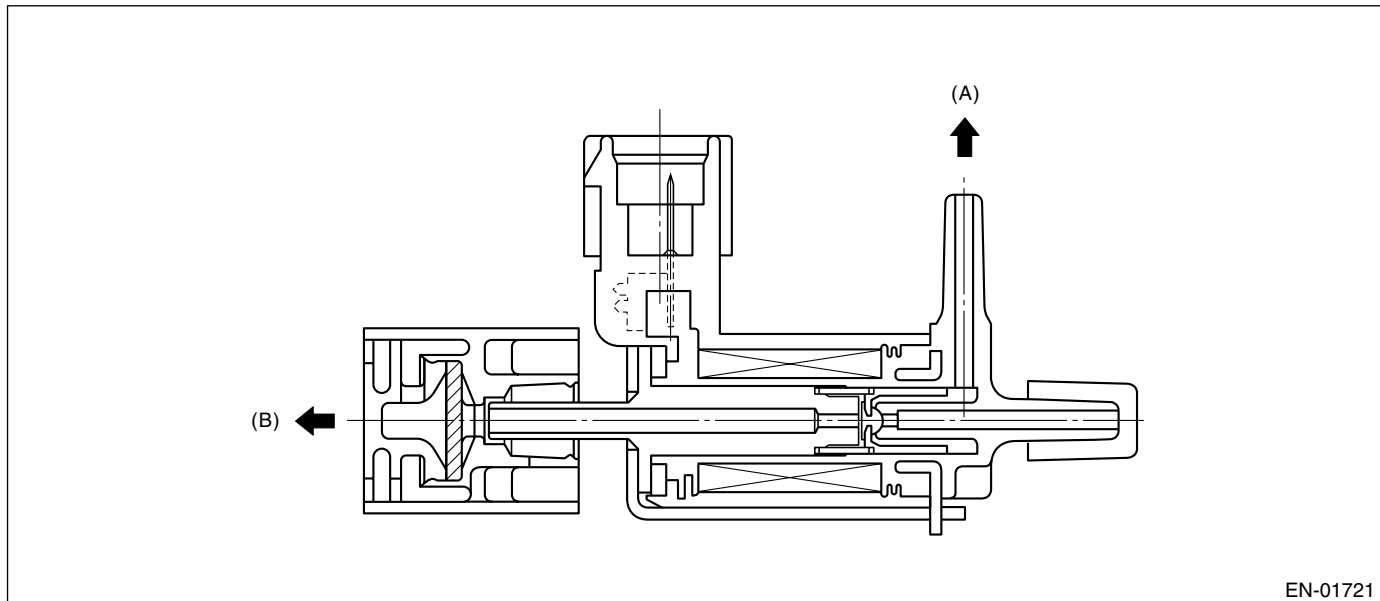
GD(H4SO)-113

DIAGNOSTIC TROUBLE CODE (DTC) DETECTING CRITERIA

GENERAL DESCRIPTION

• Tank Pressure Switching Solenoid

One of the atmospheric pressure switching solenoid valves is connected to fuel tank pressure sensor and the other is released to atmosphere. The passage to fuel tank pressure sensor is usually released to atmosphere because the solenoid is set to OFF, but the solenoid is set to ON at diagnosis and the passage open to atmosphere is closed.



- (A) Fuel tank pressure sensor
- (B) Atmosphere

GD(H4SO)-114

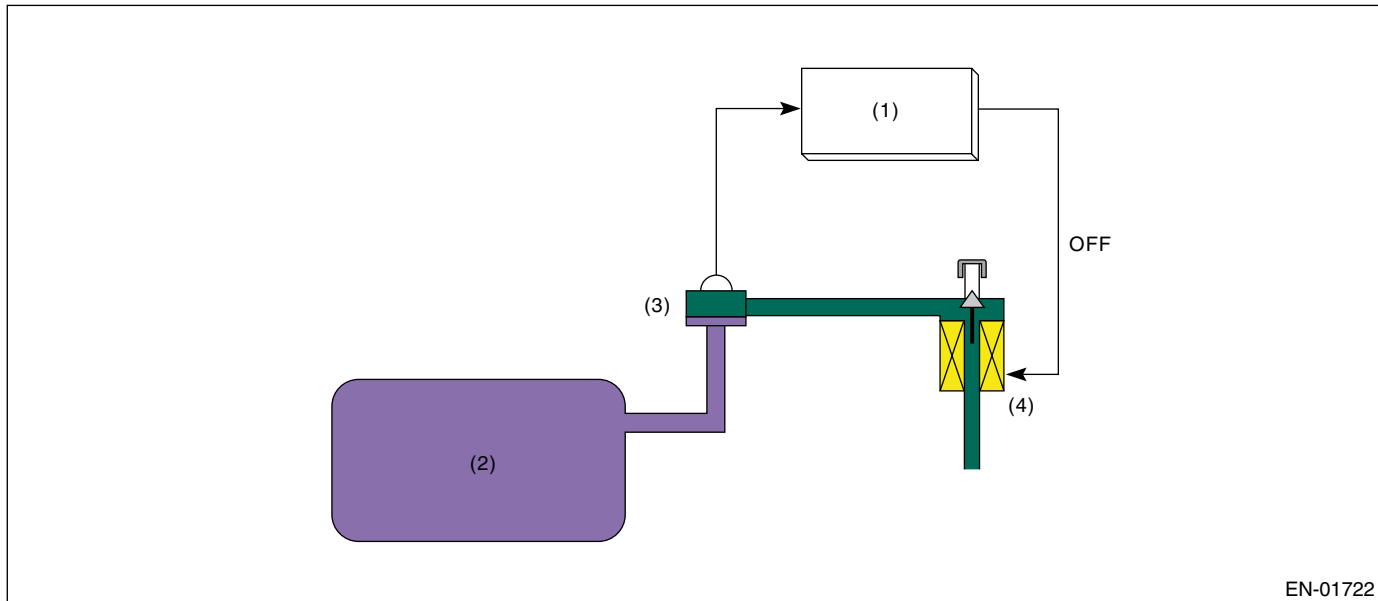
DIAGNOSTIC TROUBLE CODE (DTC) DETECTING CRITERIA

GENERAL DESCRIPTION

• Purpose of this solenoid

Fuel tank pressure sensor detects the difference between the atmospheric air pressure and the tank pressure and the ECM monitors the pressure difference.

Even if the tank pressure is constant, the atmospheric air pressure varies depending on the driving height, and the pressure signal transmitted to ECM will change.



EN-01722

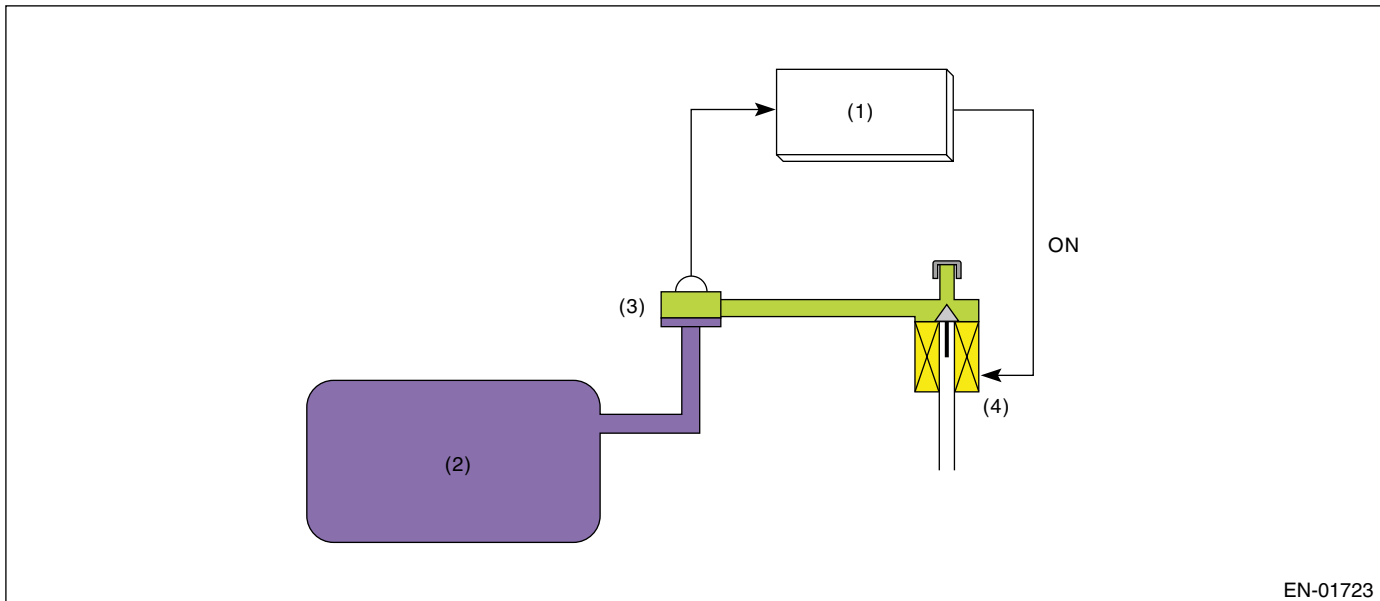
- (1) Engine control module (ECM)
- (2) Fuel tank
- (3) Fuel tank pressure sensor
- (4) Atmospheric pressure switching solenoid

GD(H4SO)-115

DIAGNOSTIC TROUBLE CODE (DTC) DETECTING CRITERIA

GENERAL DESCRIPTION

Especially, in the small leakage [0.5 mm (0.02 in)], minute change in the tank pressure has to be detected. This diagnosis period is long (approx. 29 seconds). And if the driving height changes during the diagnosis, the atmospheric air pressure changes. In this case, it becomes difficult to precisely detect the tank pressure variation, causing erroneous diagnosis. Therefore, using the atmospheric pressure switching solenoid, atmospheric air is sealed between the fuel tank pressure sensor and atmospheric pressure switching solenoid, maintaining the air pressure constant and enabling the detection of minute variation of tank pressure.



- (1) Engine control module (ECM)
- (2) Fuel tank
- (3) Fuel tank pressure sensor
- (4) Atmospheric pressure switching solenoid

NOTE:

ECM also has the atmospheric air pressure sensor, and always monitors atmospheric air. However, as the monitoring range is large, that is, 53 to 107 kPa (400 to 800 mmHg, 16 to 32 inHg) it is not suitable for detection of minute pressure variation.

In the case of small leakage diagnosis, the tank pressure variation is very small, that is, 0.13 to 0.27 kPa (1 to 2 mmHg, 0.04 to 0.08 inHg) and the fuel tank pressure sensor is equipped.

DIAGNOSTIC TROUBLE CODE (DTC) DETECTING CRITERIA

GENERAL DESCRIPTION

3. ENABLE CONDITION

0.04-inch Diagnosis

Secondary Parameters	Enable Conditions
Evap. diagnosis	Not completed
Since last incomplete diagnosis event of 0.04 inches leak	≥ 180 seconds (vehicle speed ≥ 72 km/h (45 MPH)) ≥ 920 seconds (vehicle speed < 72 km/h (45 MPH))
Throttle angle	96 — 14.1°
Canister purge cumulative time	≥ 120 seconds
Engine speed	≥ 1500 rpm
Fuel tank pressure at Evap. monitoring starting	≥ -1000 Pa (7.5 mmHg, 0.295 inHg)
Intake manifold relative pressure	≥ 26.65 kPa (200 mmHg, 7.9 inHg)
Vehicle speed	≥ 48 km/h (30 MPH)
Fuel level	9 — 51 ℓ (2.4 — 13.5 US gal, 2.0 — 11.2 Imp gal)
After engine started	More than 454 seconds
Barometric pressure	≥ 75 kPa (563 mmHg, 22.1 inHg)
Fuel temperature	-10 — 45°C (14 — 113°F)
Change of fuel level	< 5 ℓ (1.3 US gal, 1.1 Imp gal)/ 200 milli-seconds
0.02-inch diagnosis cancel timer	≥ 120 seconds (vehicle speed ≥ 72 km/h (45 MPH)) ≥ 920 seconds (vehicle speed < 72 km/h (45 MPH))

GD(H4SO)-117

DIAGNOSTIC TROUBLE CODE (DTC) DETECTING CRITERIA

GENERAL DESCRIPTION

Cancel Conditions

Secondary Parameters	Enable Conditions
Change of fuel level	$\geq 5 \text{ l}$ (1.3 US gal, 1.1 Imp gal)/200 milliseconds
When the continuous time until the conditions below are completed becomes more than 4 seconds during Mode B	
Throttle angle	$\leq 0.640^\circ$
Engine speed	$\leq 1300 \text{ rpm}$
Intake manifold relative pressure	$\leq -16 \text{ kPa}$ (-120 mmHg, 4.7 inHg)
Vehicle speed	$\leq 48 \text{ km/h}$ (30 MPH)
CPC duty	$\leq 15\%$
Compensation factor of air fuel ratio	$\leq -30\%$
When one of the conditions below is completed during Mode A	
Tank pressure	$\geq 1.8 \text{ kPa}$ (13.5 mmHg, 0.5 inHg)
Tank pressure variation amount	$\geq 0.1 \text{ kPa}$ (0.75 mmHg, 0.03 inHg)
P1	$< -0.1 \text{ kPa}$ (-0.75 mmHg, -0.03 inHg)
When the conditions below are completed during Mode D	
Tank pressure variation amount	$\geq 0.1 \text{ kPa}$ (0.75 mmHg, 0.03 inHg)

DIAGNOSTIC TROUBLE CODE (DTC) DETECTING CRITERIA

GENERAL DESCRIPTION

0.02-inch Diagnosis

Secondary Parameters	Enable Conditions
Continuous time until the conditions (1) (2) (3) below are all completed.	≥ 5 seconds
Enable condition (1) (All conditions below are completed.) Fuel tank pressure at vacuum starting Evap. 0.02-inch Diagnosis Since last incomplete diagnosis event of 0.02 inches leak Total time of operating canister purge After engine started Fuel tank pressure below -3050 Pa (-22.87 mmHg, -0.9007 inHg) during same driving cycle Fuel temperature After engine start with coolant temperature of 40°C or below 0.04-inch diagnosis cancel timer Number of times changing fuel level at 8 ℓ or more after starting engine	-37.5 — 937 Pa (-0.28 — 7.03 mmHg, -0.0110 — 10.7 inHg) Not completed > 180 seconds More than 120 seconds More than 325 seconds < 2 seconds -10 — 35°C (14 — 95°F) < 2400 seconds ≥ 120 seconds > 3 seconds
Enable condition (2) (All conditions below are completed.) Fuel level Atmospheric pressure Change of fuel level Ambient temperature (Ambient-fuel) temperature Change of engine speed after starting the diagnosis Change of manifold absolute pressure after starting the diagnosis	9 — 51 ℓ (2.4 — 13.5 US gal, 2.0 — 11.2 Imp gal) ≥ 75.7 kPa (568 mmHg, 22.3 inHg) < 4 — 4.5 ℓ (1.1 — 1.2 US gal, 0.9 — 1.0 Imp gal) ≥ -10°C (14°F) ≥ 1°C (34°F) < 300 rpm < 20 kPa (150 mmHg, 5.9 inHg)
Enable condition (3) (All conditions below are completed.) Engine speed Intake manifold relative pressure Vehicle speed Closed air fuel ratio control CPC duty Lambda factor	≥ 1500 rpm ≥ 8 kPa (60 mmHg, 2.4 inHg) ≥ 68 km/h (42 MPH) In operating ≥ 15% ≥ 0.75

GD(H4SO)-119

DIAGNOSTIC TROUBLE CODE (DTC) DETECTING CRITERIA

GENERAL DESCRIPTION

Cancel Conditions

Secondary Parameters	Enable Conditions
Enable condition (2) completion during Mode Y	Not completed
Continuous time for enable condition (3) completion during Mode B	≥ 10 seconds
When one of the conditions below is completed during Mode A Fuel tank pressure	≥ 1.1 kPa (8.25 mmHg, 0.32 inHg)
P1	≥ 125 Pa (0.94 mmHg, 0.04 inHg)
P1	≥ -87.5 Pa (-0.66 mmHg, -0.03 inHg)
Tank pressure variation amount	≥ 0.1 kPa (0.75 mmHg, 0.03 inHg)
When the condition below is completed during Mode D Tank pressure variation amount	≥ 0.1 kPa (0.75 mmHg, 0.03 inHg)

4. GENERAL DRIVING CYCLE

• 0.04-inch Diagnosis

- Perform the diagnosis only once in more than 920 seconds after the engine start at the constant driving speed of 48 km/h (30 MPH) or more.
- Pay attention to the fuel temperature and fuel level.

• 0.02-inch Diagnosis

- Perform diagnosis in more than 325 seconds after engine start at the constant speed of 68 km/h (42 MPH) or more, and then terminate the diagnosis when judged OK or NG.
- If not judged OK or NG, repeat the diagnosis until judged OK or NG.
- Pay attention to the fuel temperature and fuel level.

5. DIAGNOSTIC METHOD

• MODE Y (Tank pressure stabilization)

Perform the diagnosis under the conditions, that is, purge control solenoid valve duty = 0%, CCV = OFF (close) and pressure control solenoid valve = ON (open), and return the tank pressure to atmosphere.

Tank pressure > 0.9 kPa (67.5 mmHg, 2.7 inHg) after 0.1 seconds:

Cancel the leak check. (Change to Mode A, Tank pressure ≤ 0.9 kPa (67.5 mmHg, 2.7 inHg).)

DIAGNOSTIC TROUBLE CODE (DTC) DETECTING CRITERIA

GENERAL DESCRIPTION

• MODE Z (Purge control solenoid valve open malfunction diagnosis, CPC close malfunction diagnosis)

DTC P0457

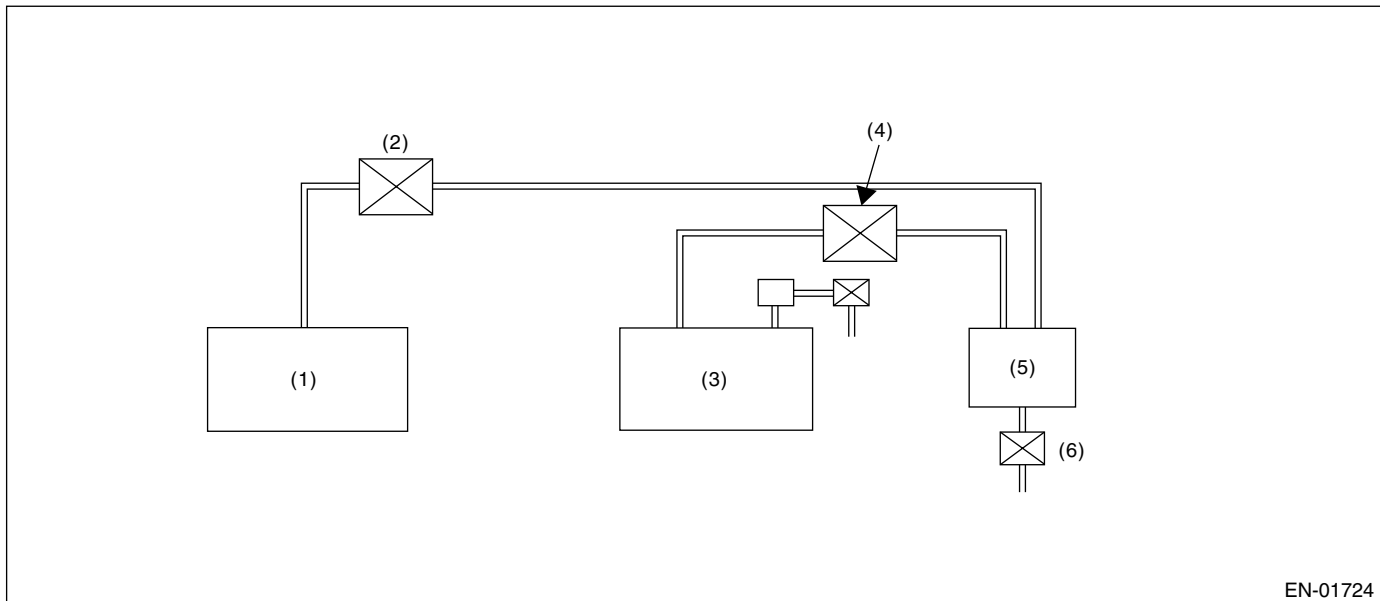
DTC P1443

• Purpose of Mode Z

When performing the leakage diagnosis of EVAP system, CCV and CPC have to operate normally. Therefore, mode Z is used to diagnose the CCV close fixation and CPC open fixation.

If the CCV closed fixation trouble or CPC open fixation trouble is detected, the EVAP system leakage diagnosis is cancelled.

If the CCV closed fixation trouble occurred, negative pressure is generated from the engine to pressure control solenoid valve when pressure control solenoid valve is closed and CPC is opened. The occurrence of this status before the diagnosis results in erroneous diagnosis, because the valve cannot be opened for the pressure control solenoid valve structure if the negative pressure is larger than electromagnetic force when pressure control solenoid valve solenoid is set to ON in order to open the valve.



(1) Engine

(2) Purge control solenoid valve open

(3) Fuel tank

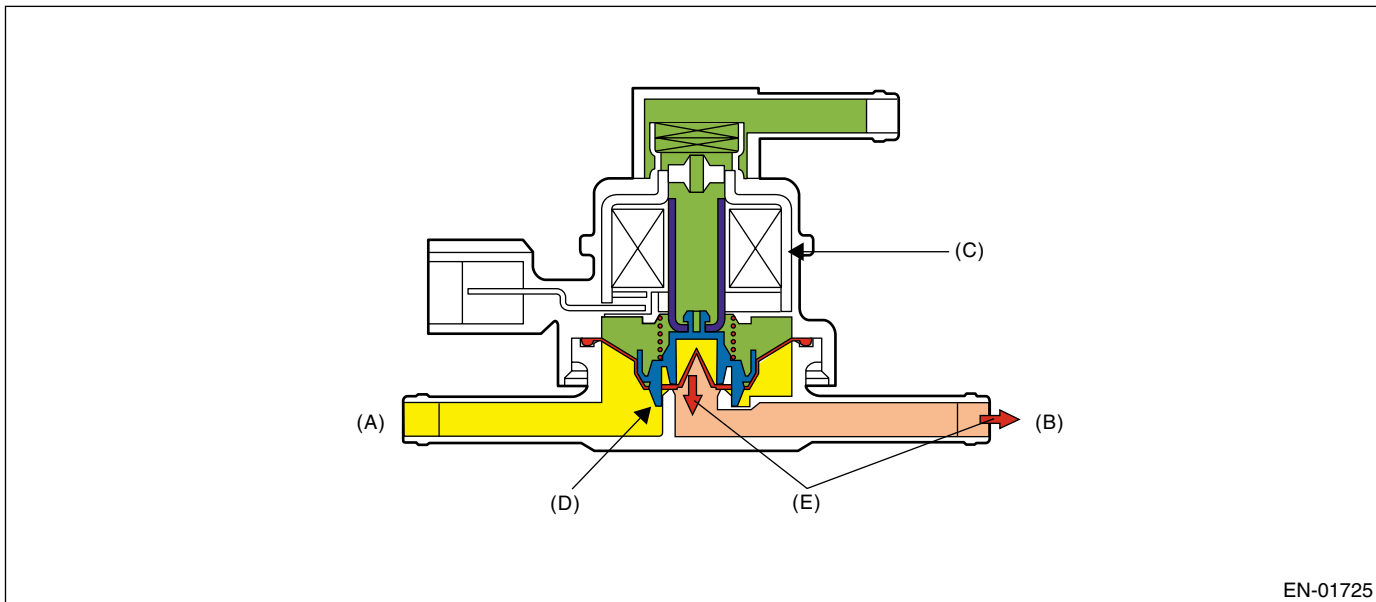
(4) Pressure control solenoid valve close

(5) Canister

(6) CCV stuck close

DIAGNOSTIC TROUBLE CODE (DTC) DETECTING CRITERIA

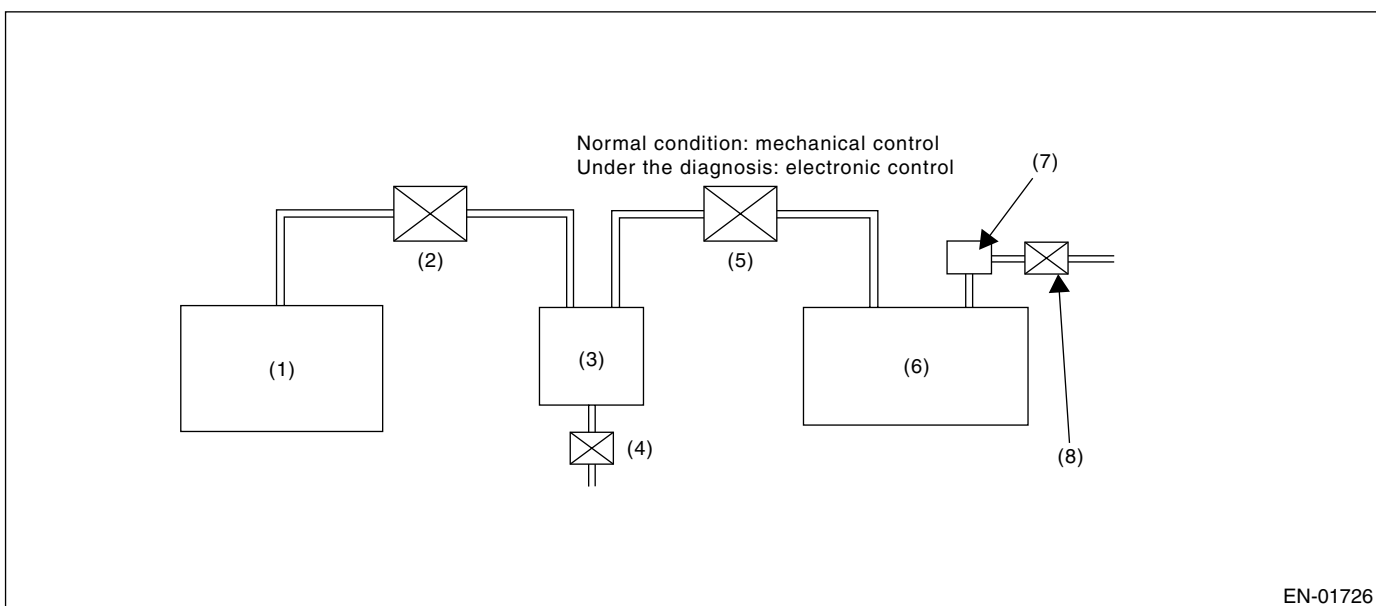
GENERAL DESCRIPTION



- (A) To fuel tank
- (B) To canister (Negative pressure)
- (C) Solenoid ON
- (D) Valve cannot be open.
- (E) Negative pressure

• Diagnostic method

CCV closed fixation diagnosis and CPC open fixation diagnosis are performed in mode Z as shown in the figure below.



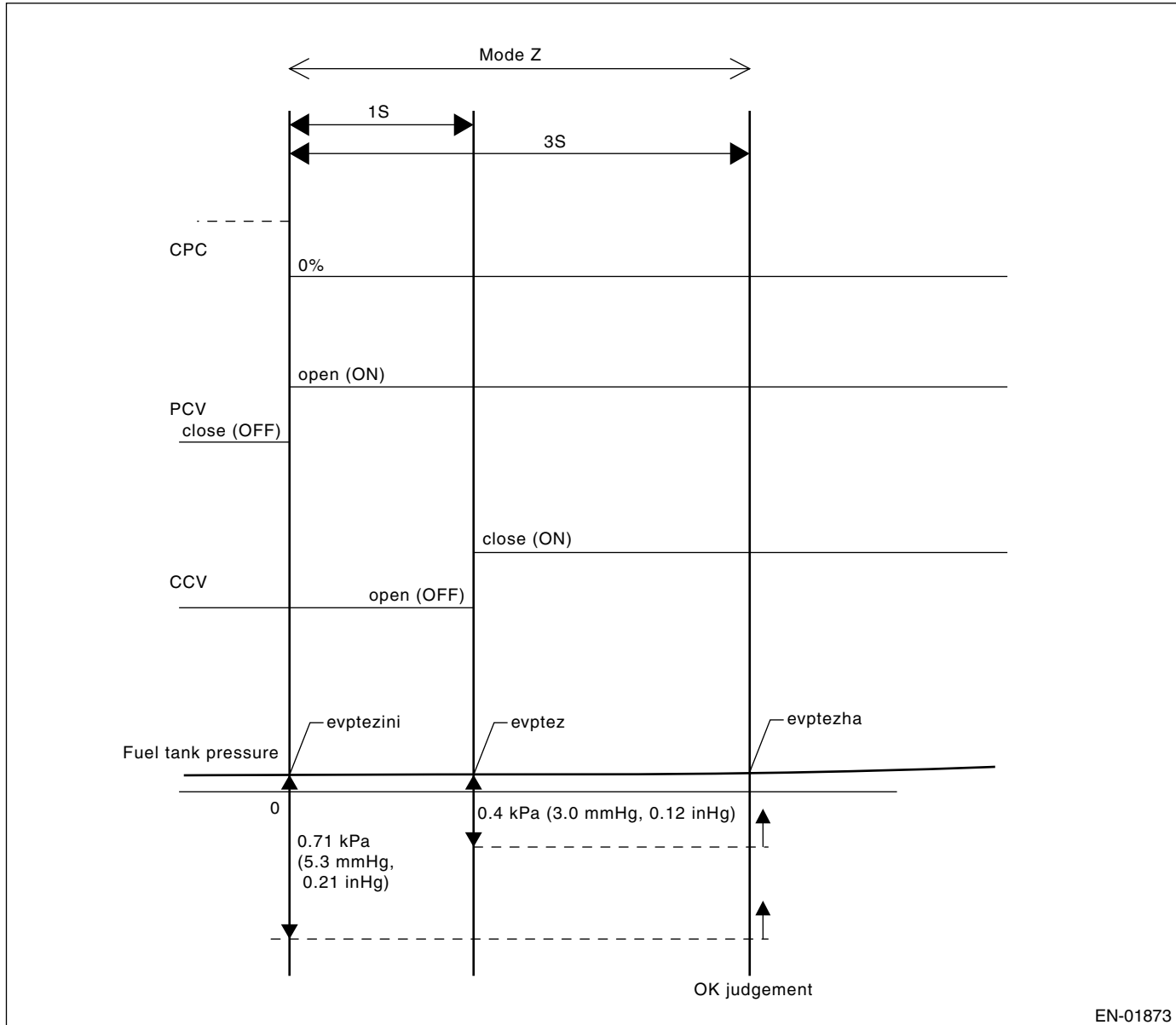
- | | |
|----------------------------------|--|
| (1) Engine | (5) Pressure control solenoid valve |
| (2) Purge control solenoid valve | (6) Fuel tank |
| (3) Canister | (7) Fuel tank pressure sensor |
| (4) Drain valve | (8) Tank pressure switching solenoid valve |

GD(H4SO)-122

DIAGNOSTIC TROUBLE CODE (DTC) DETECTING CRITERIA

GENERAL DESCRIPTION

• Normal Operation



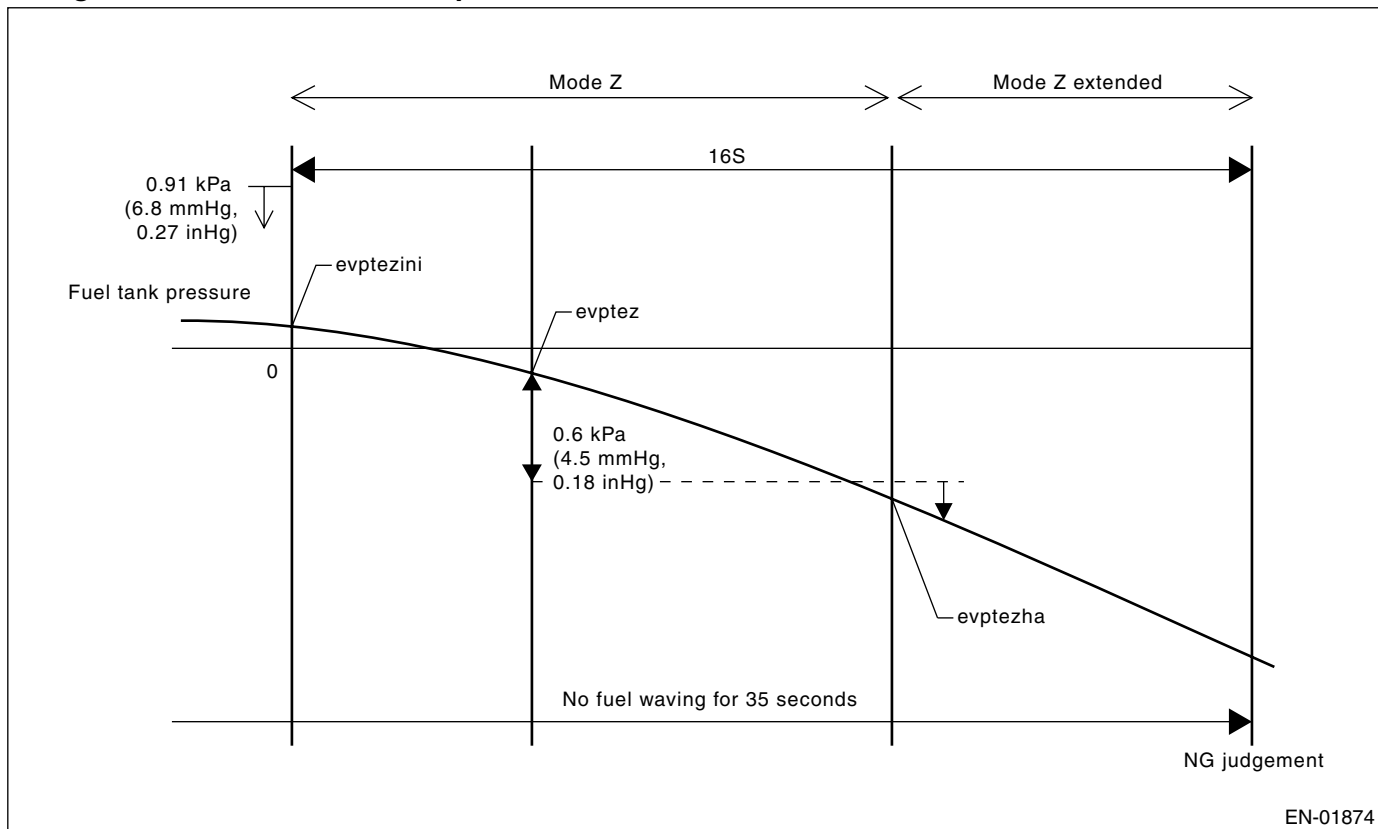
- $evptez - evptezha \leq 0.4 \text{ kPa (3.0 mmHg, 0.12 inHg)}$
 - $evptezini - evptezha \leq 0.71 \text{ kPa (5.3 mmHg, 0.21 inHg)}$
- Judge normal when these calculations are completed.

GD(H4SO)-123

DIAGNOSTIC TROUBLE CODE (DTC) DETECTING CRITERIA

GENERAL DESCRIPTION

• Purge control solenoid valve Open Fixation

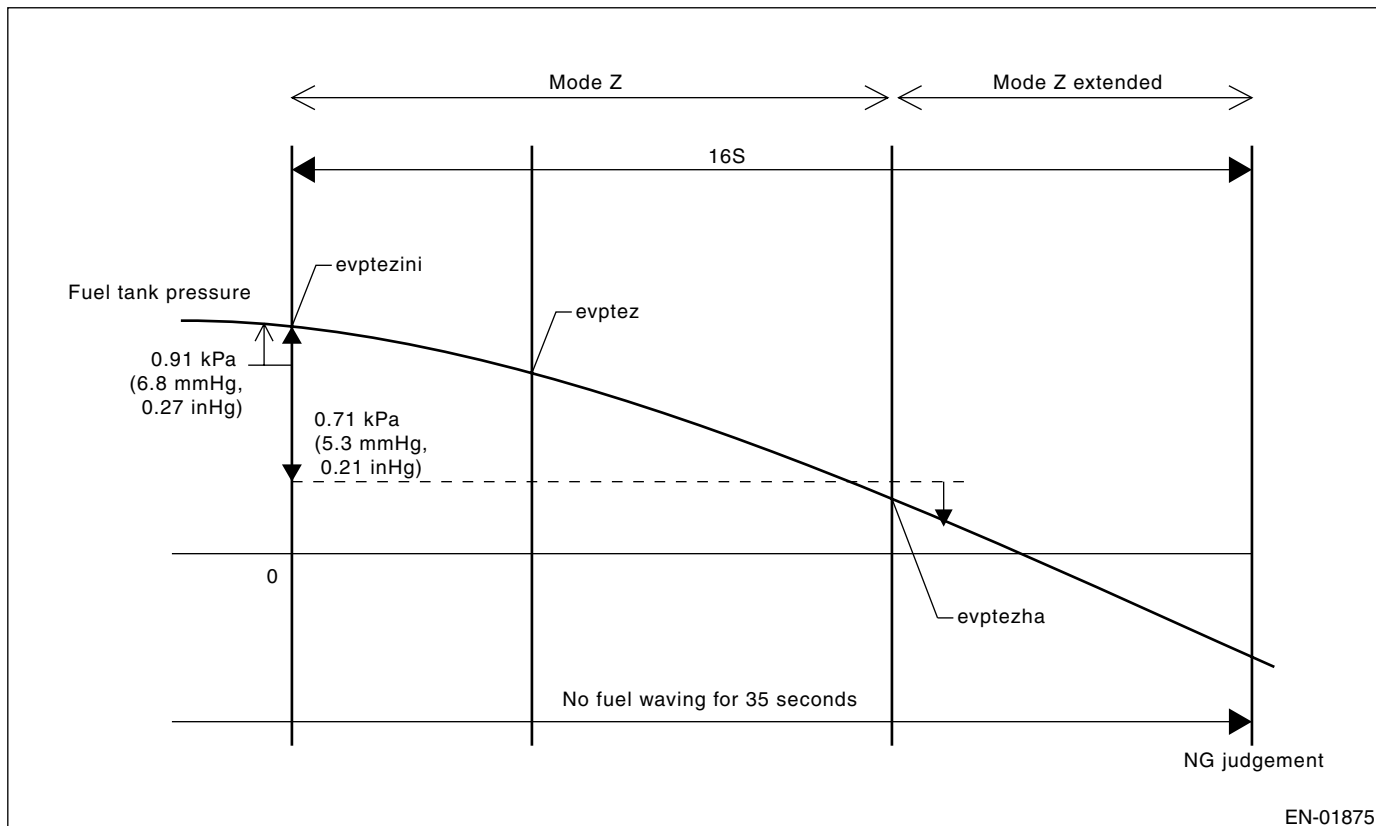


- $evptez - evptezha > 0.6 \text{ kPa (4.5 mmHg, 0.18 inHg)}$
 - $evptezini \leq 0.91 \text{ kPa (6.8 mmHg, 0.27 inHg)}$
 - No fuel rolling of above 3 ℓ (0.79 US gal, 0.67 Imp gal) for more than 35 seconds.
- Judge normal when these calculations are completed.

DIAGNOSTIC TROUBLE CODE (DTC) DETECTING CRITERIA

GENERAL DESCRIPTION

• Drain valve close fixation



- $evptezini - evptezha > 0.71 \text{ kPa} (5.3 \text{ mmHg}, 0.21 \text{ inHg})$
 - $evptezini > 0.91 \text{ kPa} (6.8 \text{ mmHg}, 0.27 \text{ inHg})$
 - No fuel rolling of above 3 ℓ (0.79 US gal, 0.67 Imp gal) for more than 35 seconds
- Judge normal when these calculations are completed.

• Diagnosing Function of CCV [P1443]

CCV functional diagnosis (closed fixation) is performed by closing CPC and opening pressure control solenoid valve.

If the CCV is normal, the canister pressure is always kept close to atmospheric air pressure because the CCV is usually open. Therefore, the tank pressure when CPC is closed and pressure control solenoid valve is opened becomes close to atmospheric air pressure.

However, if CCV closed fixation trouble occurred, negative pressure is generated in the canister before the diagnosis because the negative pressure in the intake manifold is introduced to the canister by opening CPC. If CPC is closed and pressure control solenoid valve is opened in this status, negative pressure is generated in the tank because the negative pressure in the canister is introduced to the tank.

CCV functional diagnosis is performed by monitoring the tank pressure variation when CPC is closed and pressure control solenoid valve is opened.

Normality Judgment

Judge OK and change to Mode A when the criteria below are completed in 3 seconds after Mode Z started.

Judgment Value

Malfunction Criteria	Threshold Value	DTC
(Tank pressure when drain valve open → close) – (Tank pressure when Mode Z finished)	$\leq 0.4 \text{ kPa}$ (3.0 mmHg, 0.12 inHg)	P1443
(Tank pressure when Mode Z started) – (Tank pressure when Mode Z finished)	$\leq 0.6 \text{ kPa}$ (4.5 mmHg, 0.18 inHg)	P0457
Tank pressure when Mode Z started	$\leq 1.6 \text{ kPa}$ (12 mmHg, 0.47 inHg)	

DIAGNOSTIC TROUBLE CODE (DTC) DETECTING CRITERIA

GENERAL DESCRIPTION

Abnormality Judgment

If OK judgment cannot be made, extend Mode Z 16 seconds more, and judge NG when all the criteria below are completed in 16 seconds.

Judgment Value

Malfunction Criteria	Threshold Value	DTC
Tank pressure when Mode Z started	> -0.7 kPa (-5.3 mmHg, -0.21 inHg)	P1443
(Tank pressure when Mode Z started) - (Tank pressure when Mode Z finished)	> 0.6 kPa (4.5 mmHg, 0.18 inHg)	
No fuel locking time	≥ 40 seconds	

Time Needed for Diagnosis: 16 seconds

Malfunction Indicator Light Illumination: Illuminates when malfunction occurs in 2 continuous driving cycles.

Finish the evaporative emission control system diagnosis when making NG judgment for drain valve close fixation.

Cancel the evaporative emission control system diagnosis when the OK/NG judgment for drain valve close fixation and purge control solenoid valve open fixation cannot be made in Mode Z.

• Diagnosing function of CPC [P0457]

Perform CPC functional diagnosis (open fixation) by closing CCV when CPC is closed and pressure control solenoid valve is opened.

If CPC is normal, the tank pressure does not vary even when CCV is closed.

However, if CPC open fixation trouble occurred, the negative pressure in the intake manifold is introduced to the tank when CCV is closed, generating negative pressure in the tank.

CPC functional diagnosis is performed by monitoring the tank pressure when CCV is closed.

Normality Judgment

Make OK judgment in 3 seconds after Mode Z started, and change to Mode A if OK.

Both diagnostic method and judgment value are the same as PCV normality judgment.

Abnormality Judgment

If OK judgment cannot be made, extend Mode Z 16 seconds more, and judge NG when all the criteria below are completed in 16 seconds.

Judgment Value

Malfunction Criteria	Threshold Value	DTC
(Tank pressure when drain valve open → close) - (Tank pressure when Mode Z finished)	> 0.6 kPa (4.5 mmHg, 0.17 inHg)	P0457
Tank pressure when Mode Z started	≤ -0.7 kPa (-5.3 mmHg, -0.21 inHg)	
No fuel locking time	≥ 40 seconds	
Air fuel ratio rich cumulative time during Mode Z	0.5 seconds	

Time Needed for Diagnosis: 16 seconds

Malfunction Indicator Light Illumination: Immediately

Finish the evaporative emission control system diagnosis when making NG judgment for purge control solenoid valve open fixation.

Cancel the evaporative emission control system diagnosis when the OK/NG judgment for drain valve close fixation and purge control solenoid valve open fixation cannot be made in Mode Z.

• Leak Diagnosis

DTC P0442

DTC P0456

DTC P0457

• Diagnostic method

- The diagnostic method consists of creating a sealed vacuum in the fuel tank and then determining the presence of leakage from the speed at which the tank internal pressure returns to atmospheric pressure.
- The diagnosis is divided into the following five phases.

GD(H4SO)-126

DIAGNOSTIC TROUBLE CODE (DTC) DETECTING CRITERIA

GENERAL DESCRIPTION

Mode A;

Because CPC and CCV are closed, the tank pressure increases in proportion to evaporator generation. This tank pressure variation amount is P1. After calculating P1, change to Mode B.

Mode B;

Open CPC and introduce the negative pressure in the intake manifold to the tank.

Approx. 0 → -1.4 kPa (0 → -10.5 mmHg, 0 → -0.41 inHg) (0.04-in diagnosis)

Approx. 0 → -3.05 kPa (0 → -22.9 mmHg, 0 → -0.9 inHg) (0.02-in diagnosis)

When the pressure above (desired negative pressure) is reached, Mode C is entered.

In this case, if the tank pressure does not become the desired negative pressure, judge that there is a large leakage in the system.

Judge NG when the malfunction criteria below is completed.

Finish the Evap. diagnosis when judging large leak (18 seconds or 35 seconds) in 0.04-inch diagnosis. Cancel the diagnosis (62 seconds) in 0.02-inch diagnosis.

Abnormality Judgment

Judge NG (large leak) when the criteria below are completed in the specified time.

Specified Time

High vehicle speed mode (Vehicle speed ≥ 72 km/h (45 MPH)); 35 seconds

Low vehicle speed mode (Vehicle speed < 72 km/h (45 MPH)); 18 seconds

Judgment Value

Malfunction Criteria	Threshold Value	DTC
(0.04-inch diagnosis) Time for Mode B	≥ 18 seconds or 35 seconds	P0457
(Tank pressure when Mode Z started) – (Min. value of tank pressure during Mode B)	< 900 Pa (6.75 mmHg, 0.25 inHg)	

Cancel the diagnosis when the NG judgment does not completed in the specified time.

Mode C;

Stop the introduction of negative pressure by shutting the purge control solenoid valve. (Wait until the tank pressure returns to the start level of P2 calculation.)

Change to Mode D when the tank pressure returns to the start level of P2 calculation.

Judge immediate OK and change to Mode E when it does not return in spite of spending the specified time.

	Tank pressure when P2 calculation started	Time for immediate OK judgment
0.04-inch diagnosis	-1.3 kPa (-9.75 mmHg, -0.38 inHg)	16 seconds
0.02-inch diagnosis	-3 kPa (-22.5 mmHg, -0.89 inHg)	20 seconds

Mode D;

Monitor the pressure variation in the tank with CPC closed. In this case, the tank pressure increases, that is, the pressure becomes as high as the atmospheric air pressure, because evaporator is generated. However, if any leakage exists, the pressure increases additionally in proportion to this leakage. The pressure variation of this tank is P2.

After calculating P2, perform small leak diagnosis and change to Mode E if normal. Complete Evap. diagnosis if abnormal.

• After Diagnosis

Assigning P1 and P2, which are tank variations measured in Mode A and Mode B, to the formula below, judge the small leakage of the system. If the measured judgment value exceeds the threshold value, it is judged to be malfunction.

• 0.04-inch Diagnosis

Abnormality Judgment

Judge NG when the criteria below are completed and judge OK when not completed.

DIAGNOSTIC TROUBLE CODE (DTC) DETECTING CRITERIA

GENERAL DESCRIPTION

Judgment Value

Malfunction Criteria	Threshold Value	DTC
$P2 - 1.5 \times P1$ P2 = Tank pressure varying at a specified time in mode D. P1 = Tank pressure varying at a specified time in mode A.	> 0.55 kPa (4.13 mmHg, 0.16 inHg)	P0442

*1.5: Compensation value of the amount of evaporator occurrence. (Because evaporator increases more when becoming negative pressure.)

• 0.02-inch Diagnosis

Abnormality Judgment

Judge NG when the criteria below are completed.

Judgment Value

Malfunction Criteria	Threshold Value	DTC
$P2 - 1.9375 \times P1$ P2 = Tank pressure varying at a specified time in mode D. P1 = Tank pressure varying at a specified time in mode A.	≥ 800 Pa (6.0 mmHg, 0.24 inHg)	P0456

Normality Judgment

Judge OK when the criteria below are completed.

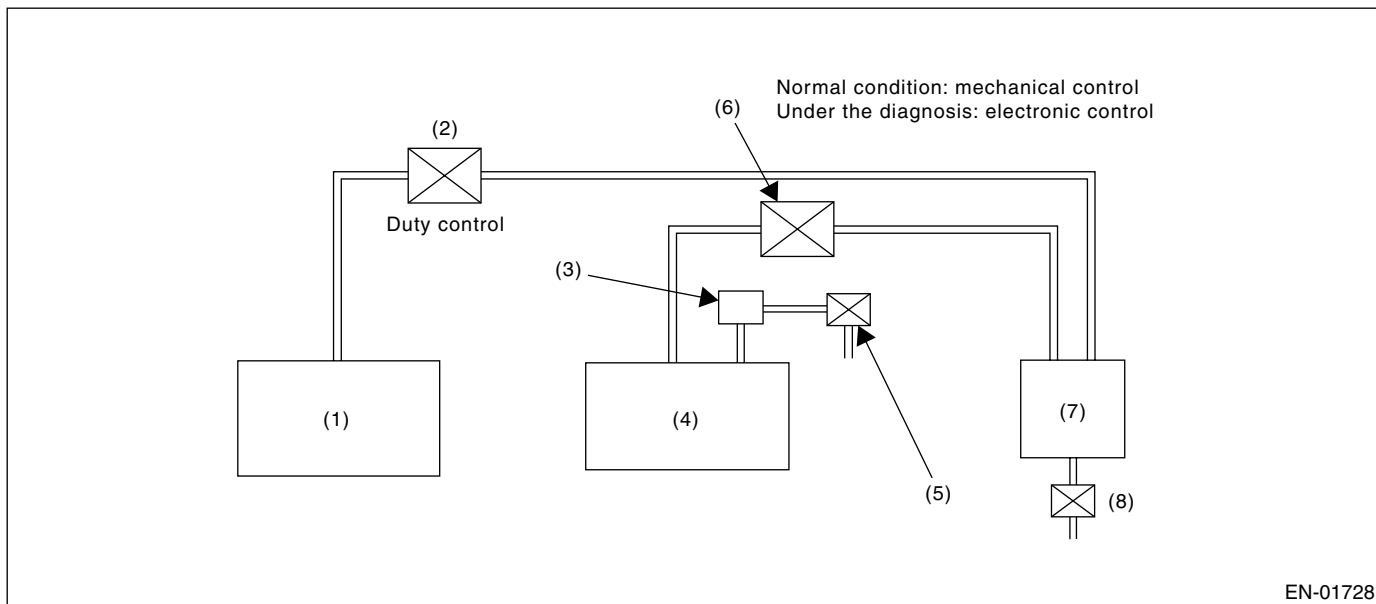
DIAGNOSTIC TROUBLE CODE (DTC) DETECTING CRITERIA

GENERAL DESCRIPTION

Judgment Value

Malfunction Criteria	Threshold Value	DTC
P2 – 1.9375 × P1	< 600 Pa (4.5 mmHg, 0.18 inHg)	P0456

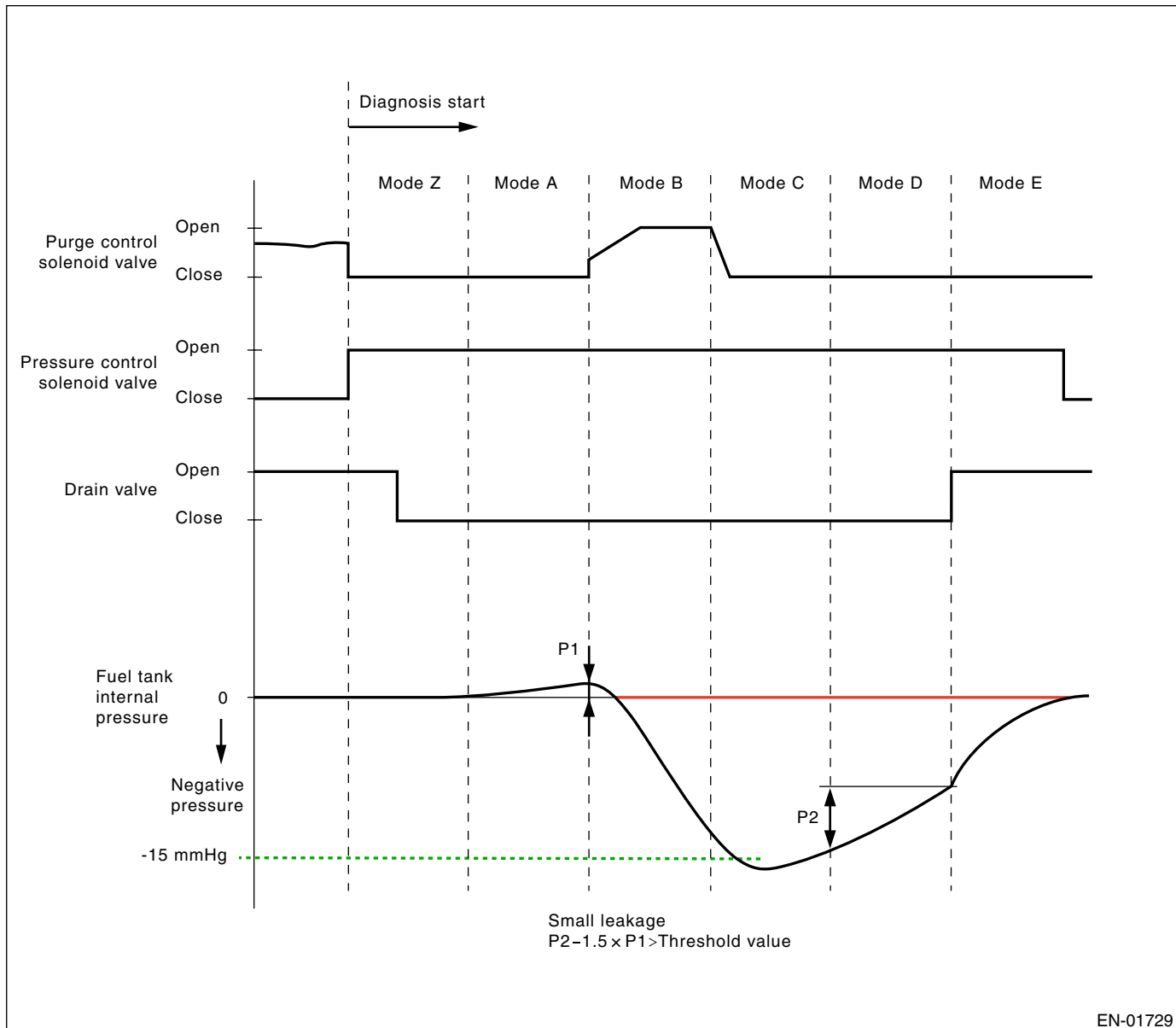
If not judged OK or NG, repeat the diagnosis.



- | | |
|----------------------------------|---|
| (1) Engine | (5) Atmospheric pressure switching solenoid |
| (2) Purge control solenoid valve | (6) Pressure control solenoid valve |
| (3) Fuel tank pressure sensor | (7) Canister |
| (4) Fuel tank | (8) Drain valve |

DIAGNOSTIC TROUBLE CODE (DTC) DETECTING CRITERIA

GENERAL DESCRIPTION



• CCV Property Diagnosis [P1443]

Mode E;

The tank pressure must become again as high as the atmospheric air pressure, because the closed CCV becomes open after the evaporation diagnosis. If the tank pressure does not become as high as the atmospheric air pressure, judge that CCV is blocked.

Malfunction Criteria	Threshold Value	DTC
Fuel tank pressure difference from the end of EVAP sys. diagnosis to 4 seconds later	< 362.5 Pa (2.7 mmHg, 0.11 inHg)	P1443

Time Needed for Diagnosis:

0.04-inch: 30 — 70 seconds
 0.02-inch: 45 — 90 seconds

Malfunction Indicator Light Illumination: Illuminates when malfunction occurs in 2 continuous driving cycles.

GD(H4SO)-130

DIAGNOSTIC TROUBLE CODE (DTC) DETECTING CRITERIA

GENERAL DESCRIPTION

6. DTC CLEAR CONDITION

- When the OK idling cycle was completed 40 times in a row
- When "Clear Memory" was performed

7. MALFUNCTION INDICATOR LIGHT CLEAR CONDITION

- When the OK driving cycle was completed 3 times in a row
- When "Clear Memory" was performed

8. FAIL SAFE

Atmospheric purge solenoid function malfunction; Open the pressure control solenoid valve.

9. ECM OPERATION AT DTC SETTING

- Memorize the freeze frame data. (For test mode \$02)
- Memorize the diagnostic value and trouble standard value. (For test mode \$06)

DIAGNOSTIC TROUBLE CODE (DTC) DETECTING CRITERIA

GENERAL DESCRIPTION

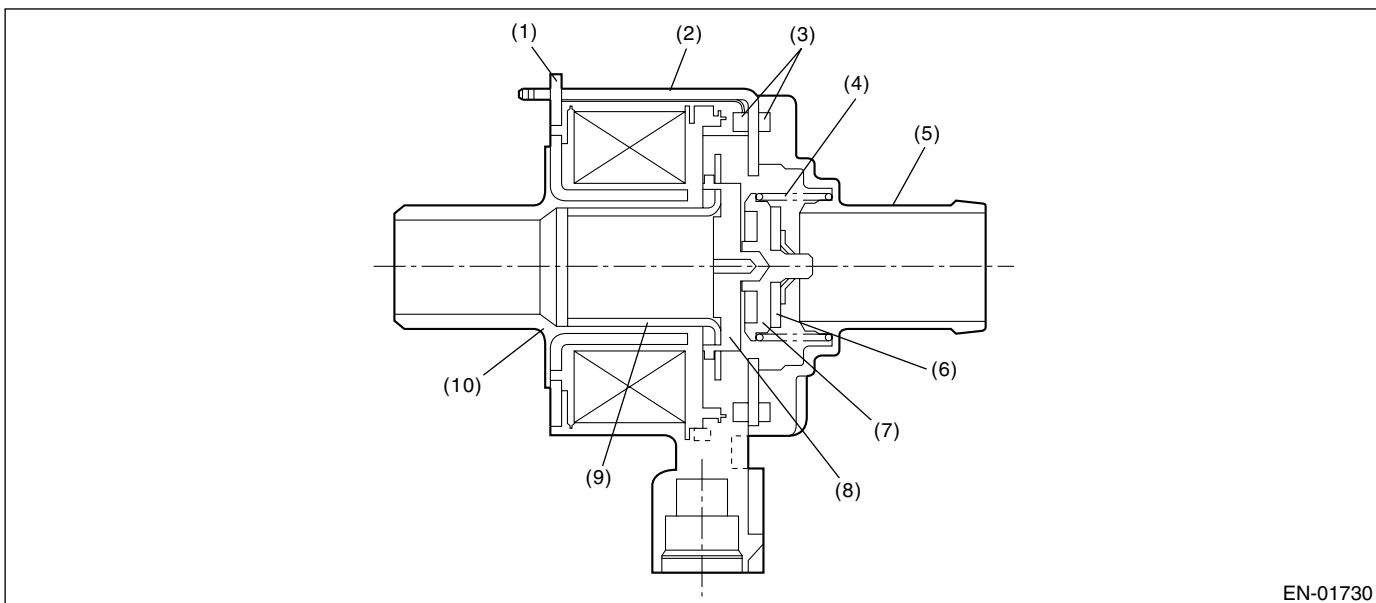
AV:DTC P0447 — EVAPORATIVE EMISSION CONTROL SYSTEM VENT CONTROL CIRCUIT OPEN —

1. OUTLINE OF DIAGNOSIS

Detect the open or short circuit of drain valve.

Judge NG when the ECM output level is not equal to the actual terminal level.

2. COMPONENT DESCRIPTION



- | | |
|--------------------|------------------|
| (1) Magnetic plate | (6) Valve |
| (2) Yoke | (7) Plate |
| (3) Packing | (8) Retainer |
| (4) Spring | (9) Movable core |
| (5) Valve seat | (10) Bobbin |

3. ENABLE CONDITION

Secondary Parameter	Enable Condition
Engine speed	≥ 500 rpm
Battery voltage	≥ 8 V
After starting the engine	1 second or more

4. GENERAL DRIVING CYCLE

Perform the diagnosis continuously after string the engine.

DIAGNOSTIC TROUBLE CODE (DTC) DETECTING CRITERIA

GENERAL DESCRIPTION

5. DIAGNOSTIC METHOD

• Abnormality Judgment

Judge NG when the continuous time until completing the malfunction criteria below become more than time (2.5 seconds) needed for diagnosis.

Judgment Value

Malfunction Criteria	Threshold Value
Terminal voltage when ECM outputs OFF signal.	Low

Time Needed for Diagnosis: 2.5 seconds

Malfunction Indicator Light Illumination: Illuminates when malfunction occurs in 2 continuous driving cycles.

• Normality Judgment

Judge OK and clear the NG when the malfunction criteria below are completed.

Judgment Value

Malfunction Criteria	Threshold Value
Terminal voltage when ECM outputs OFF signal.	High

6. DTC CLEAR CONDITION

- When the OK idling cycle was completed 40 times in a row
- When "Clear Memory" was performed

7. MALFUNCTION INDICATOR LIGHT CLEAR CONDITION

- When the OK driving cycle was completed 3 times in a row
- When "Clear Memory" was performed

8. FAIL SAFE

Open PCV solenoid.

9. ECM OPERATION AT DTC SETTING

Memorize the freeze frame data. (For test mode \$02)

DIAGNOSTIC TROUBLE CODE (DTC) DETECTING CRITERIA

GENERAL DESCRIPTION

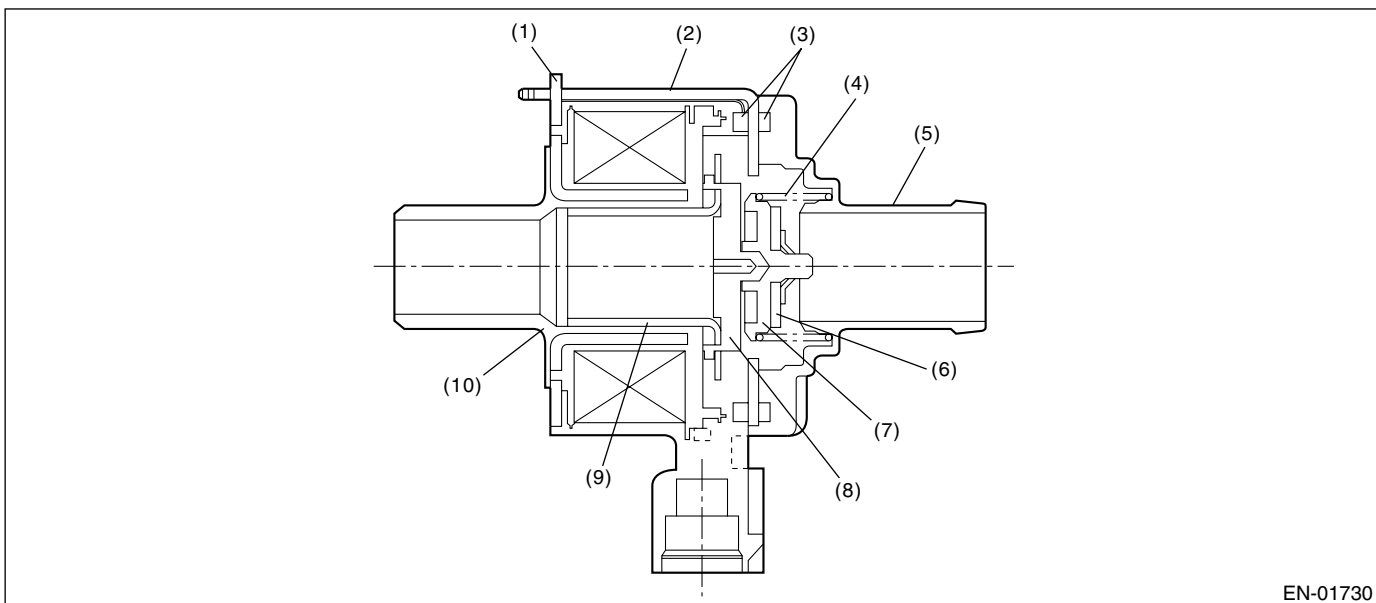
AW:DTC P0448 — EVAPORATIVE EMISSION CONTROL SYSTEM VENT CONTROL CIRCUIT SHORTED —

1. OUTLINE OF DIAGNOSIS

Detect the short circuit of drain valve.

Judge NG when the ECU output level is not equal to the actual terminal level.

2. COMPONENT DESCRIPTION



- | | |
|--------------------|------------------|
| (1) Magnetic plate | (6) Valve |
| (2) Yoke | (7) Plate |
| (3) Packing | (8) Retainer |
| (4) Spring | (9) Movable core |
| (5) Valve seat | (10) Bobbin |

3. ENABLE CONDITION

Secondary Parameter	Enable Condition
Engine speed	≥ 500 rpm
Battery voltage	≥ 8 V
After starting the engine	1 second or more

4. GENERAL DRIVING CYCLE

Perform the diagnosis continuously after starting the engine.

DIAGNOSTIC TROUBLE CODE (DTC) DETECTING CRITERIA

GENERAL DESCRIPTION

5. DIAGNOSTIC METHOD

• Abnormality Judgment

Judge NG when the continuous time until completing the malfunction criteria below become more than time (2.5 seconds) needed for diagnosis.

Judgment Value

Malfunction Criteria	Threshold Value
Terminal voltage when ECM outputs ON signal.	High

Time Needed for Diagnosis: 2.5 seconds

Malfunction Indicator Light Illumination: Illuminates when malfunction occurs in 2 continuous driving cycles.

• Normality Judgment

Judge OK and clear the NG when the malfunction criteria below are completed.

Judgment Value

Malfunction Criteria	Threshold Value
Terminal voltage when ECM outputs ON signal.	Low

6. DTC CLEAR CONDITION

- When the OK idling cycle was completed 40 times in a row
- When "Clear Memory" was performed

7. MALFUNCTION INDICATOR LIGHT CLEAR CONDITION

- When the OK driving cycle was completed 3 times in a row
- When "Clear Memory" was performed

8. FAIL SAFE

Open PCV solenoid.

9. ECM OPERATION AT DTC SETTING

Memorize the freeze frame data. (For test mode \$02)

DIAGNOSTIC TROUBLE CODE (DTC) DETECTING CRITERIA

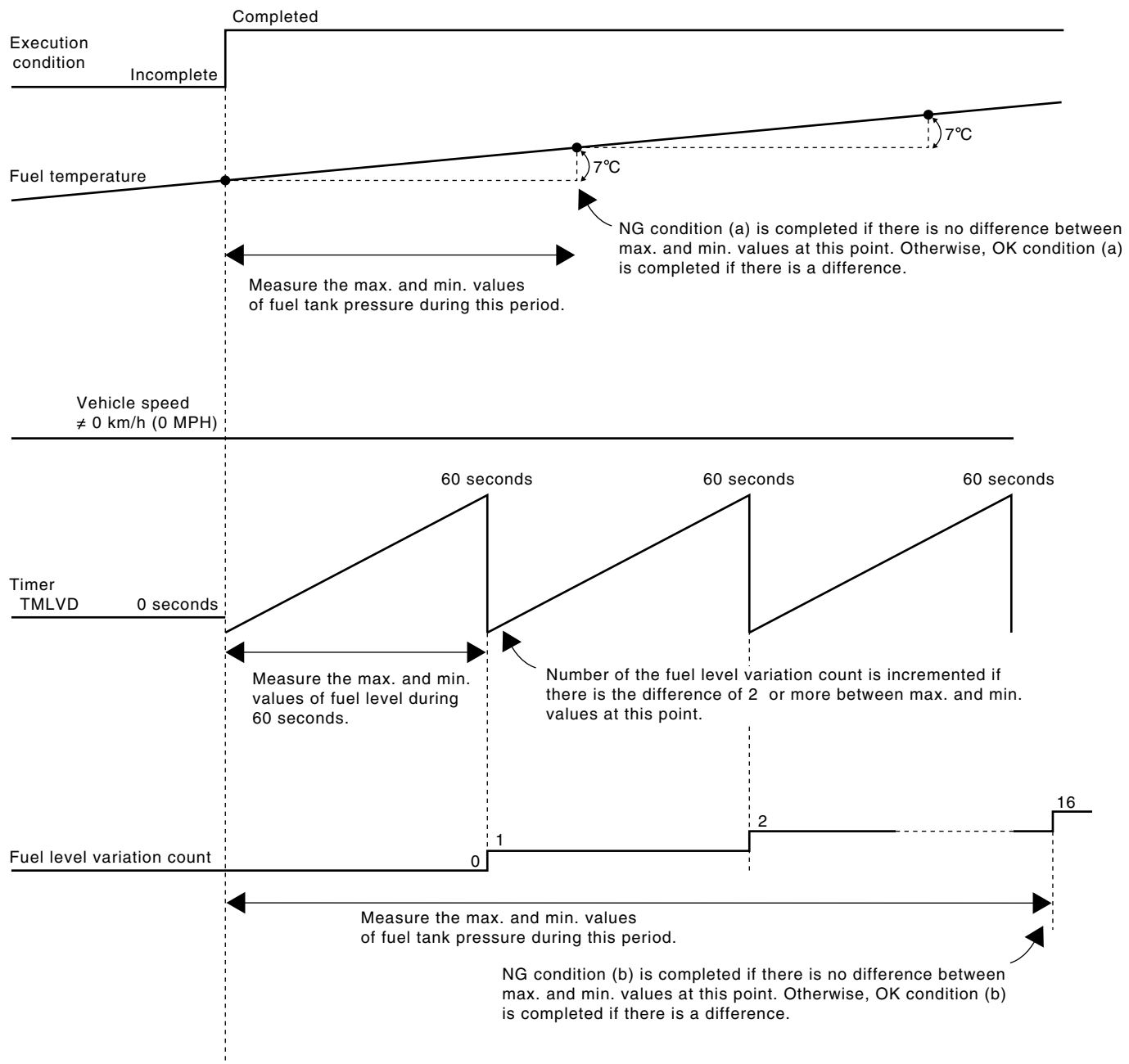
GENERAL DESCRIPTION

AX:DTC P0451 — EVAPORATIVE EMISSION CONTROL SYSTEM PRESSURE SENSOR RANGE/PERFORMANCE —

1. OUTLINE OF DIAGNOSIS

Detect the malfunction of tank pressure sensor output property.

Judge NG when there is little variation in the fuel tank pressure even if the vehicle is in driving status where there must be variation in the fuel tank pressure considering the fuel temperature and fuel level.



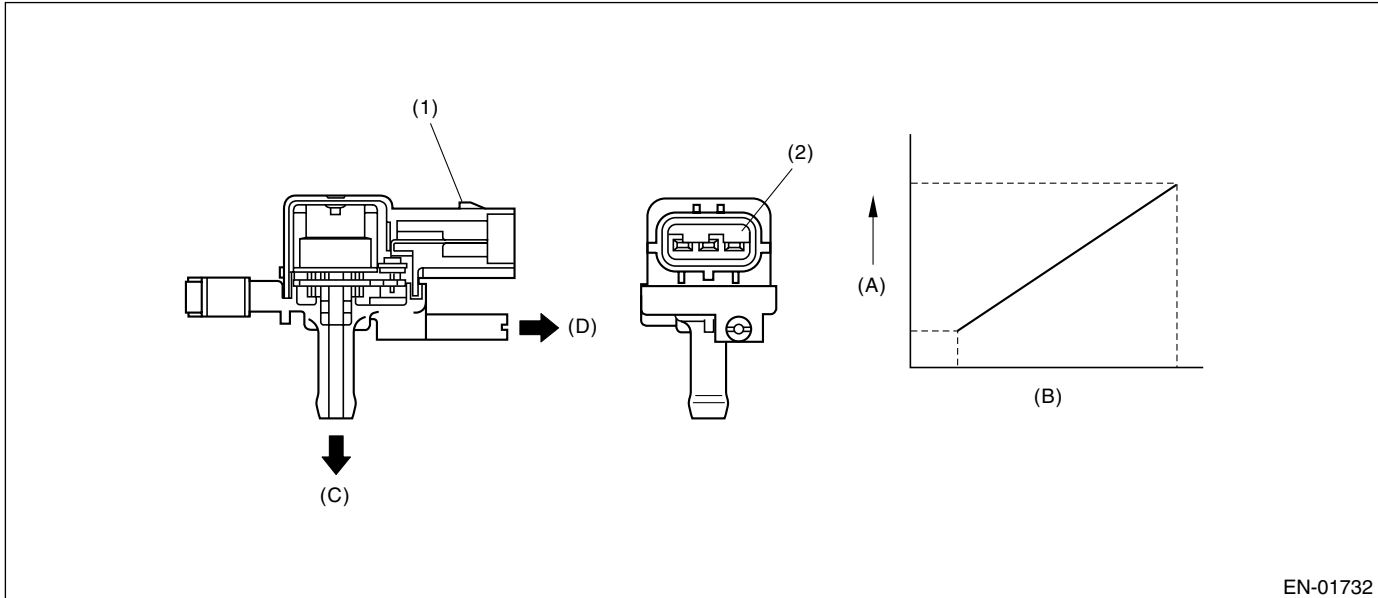
EN-01731

DIAGNOSTIC TROUBLE CODE (DTC) DETECTING CRITERIA

GENERAL DESCRIPTION

- If NG condition (a) & (b) are experienced, NG results.
(If there is OK, NG experience becomes unexperienced.)
- If OK conditions (a) & (b) are experienced, OK results.
(If there is NG, OK experience becomes unexperienced.)

2. COMPONENT DESCRIPTION



- (1) Connector
(2) Terminal

- (A) Output voltage
(B) Input voltage
(C) To fuel tank
(D) To tank pressure switching solenoid valve

3. ENABLE CONDITION

Secondary Parameters	Enable Conditions
Timer after starting the engine	≥ 30 seconds
Fuel level	≥ 9 ℓ (2.4 US gal, 2.0 Imp gal)

4. GENERAL DRIVING CYCLE

Perform the diagnosis continuously in 30 seconds after starting the engine.

5. DIAGNOSTIC METHOD

- (1) There is no tank pressure variation when there is fuel temperature variation of 7°C (45°F).
- (2) There is no tank pressure variation even when there is fuel level variation of 2 ℓ (0.5 US gal, 0.4 Imp gal) or more every 60 seconds.

Judge NG when both of the conditions above are experienced.

DIAGNOSTIC TROUBLE CODE (DTC) DETECTING CRITERIA

GENERAL DESCRIPTION

• Abnormality Judgment

Judge NG when both of the conditions below are experienced.

Judgment Value

Malfunction Criteria	Threshold Value
Max.-min. tank pressure (During fuel temperature variation of 7°C (45°F))	≤ 100 Pa (0.75 mmHg, 0.03 inHg)
Change of fuel temperature	≥ 7°C (45°F)

Malfunction Criteria	Threshold Value
Max.-min. tank pressure (During time lapse below)	≤ 100 Pa (0.75 mmHg, 0.03 inHg)
Total time lapse where there is fuel level variation of 2 ℓ (0.5 US gal, 0.4 Imp gal) or more per minute.	≥ 16 minutes

Time Needed for Diagnosis: 16 minutes

Malfunction Indicator Light Illumination: Illuminates when malfunction occurs in 2 continuous driving cycles.

• Normality Judgment

Judge OK when both of the conditions below are experienced, and clear NG.

Judgment Value

Malfunction Criteria	Threshold Value
Max.-min. tank pressure (During fuel temperature variation of 7°C (45°F))	> 100 Pa (0.75 mmHg, 0.03 inHg)
Change of fuel temperature	≥ 7°C (45°F)

Malfunction Criteria	Threshold Value
Max.-min. tank pressure (During time lapse below)	> 100 Pa (0.75 mmHg, 0.03 inHg)
Total time lapse where there is fuel level variation of 2 ℓ (0.5 US gal, 0.4 Imp gal) or more per minute.	≥ 16 minutes

6. DTC CLEAR CONDITION

- When the OK idling cycle was completed 40 times in a row
- When "Clear Memory" was performed

7. MALFUNCTION INDICATOR LIGHT CLEAR CONDITION

- When the OK driving cycle was completed 3 times in a row
- When "Clear Memory" was performed

8. FAIL SAFE

Fix the fuel tank pressure at 0 kPa (0 mmHg, 0 inHg).

9. ECM OPERATION AT DTC SETTING

Memorize the freeze frame data. (For test mode \$02)

DIAGNOSTIC TROUBLE CODE (DTC) DETECTING CRITERIA

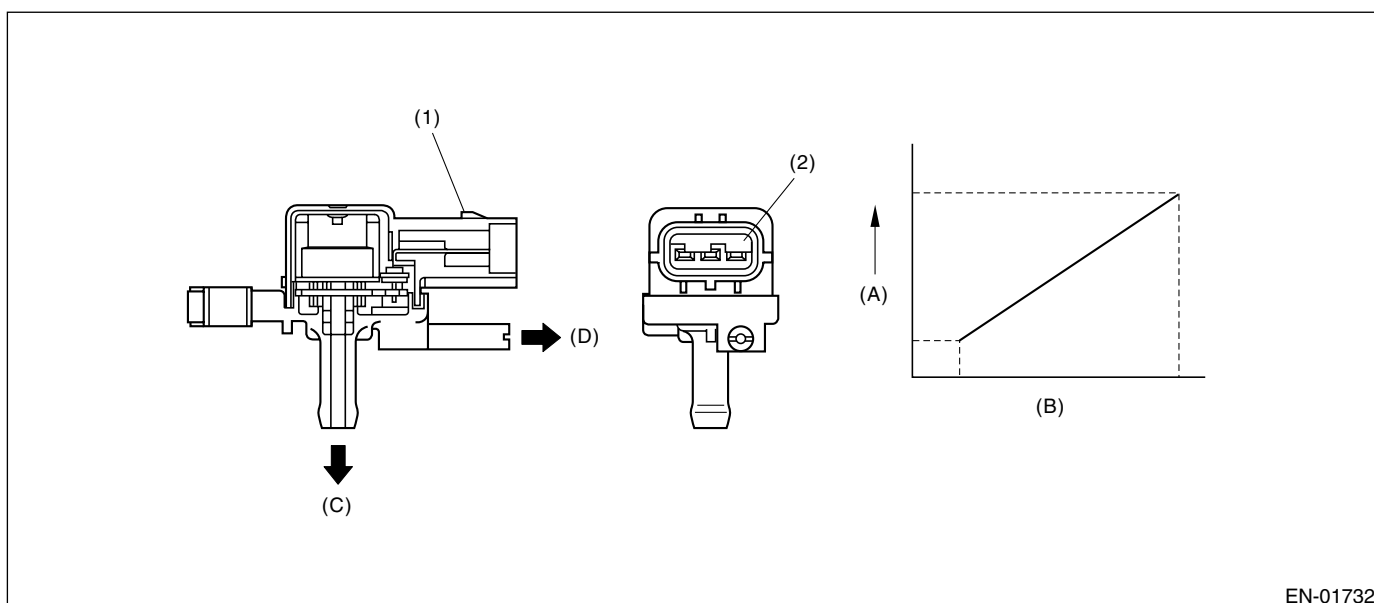
GENERAL DESCRIPTION

AY:DTC P0452 — EVAPORATIVE EMISSION CONTROL SYSTEM PRESSURE SENSOR LOW INPUT —

1. OUTLINE OF DIAGNOSIS

Detect the open or short circuit of tank pressure sensor.
Judge NG when out of the standard value.

2. COMPONENT DESCRIPTION



(1) Connector
(2) Terminal

(A) Output voltage
(B) Input voltage
(C) To fuel tank
(D) To tank pressure switching solenoid valve

3. ENABLE CONDITION

Secondary Parameters	Enable Conditions
Engine speed	≥ 500 rpm
Battery voltage	≥ 10 V
After engine starting	2 seconds or more

4. GENERAL DRIVING CYCLE

Perform the diagnosis continuously in 2 seconds after starting the engine.

5. DIAGNOSTIC METHOD

• Abnormality Judgment

Judge NG when the continuous time until completing all of the malfunction criteria below becomes more than time needed for diagnosis.

Judgment Value

Malfunction Criteria	Threshold Value
Output voltage	< 0.2 V

Time Needed for Diagnosis: 20 seconds

Malfunction Indicator Light Illumination: Illuminates as soon as malfunction occurs.

DIAGNOSTIC TROUBLE CODE (DTC) DETECTING CRITERIA

GENERAL DESCRIPTION

• Normality Judgment

Judge OK and clear the NG when the malfunction criteria below are completed

Judgment Value

Malfunction Criteria	Threshold Value
Output voltage	≥ 0.2 V

6. DTC CLEAR CONDITION

- When the OK idling cycle was completed 40 times in a row
- When "Clear Memory" was performed

7. MALFUNCTION INDICATOR LIGHT CLEAR CONDITION

- When the OK driving cycle was completed 3 times in a row
- When "Clear Memory" was performed

8. FAIL SAFE

Fix the fuel tank pressure at 0 kPa (0 mmHg, 0 inHg).

9. ECM OPERATION AT DTC SETTING

Memorize the freeze frame data. (For test mode \$02)

DIAGNOSTIC TROUBLE CODE (DTC) DETECTING CRITERIA

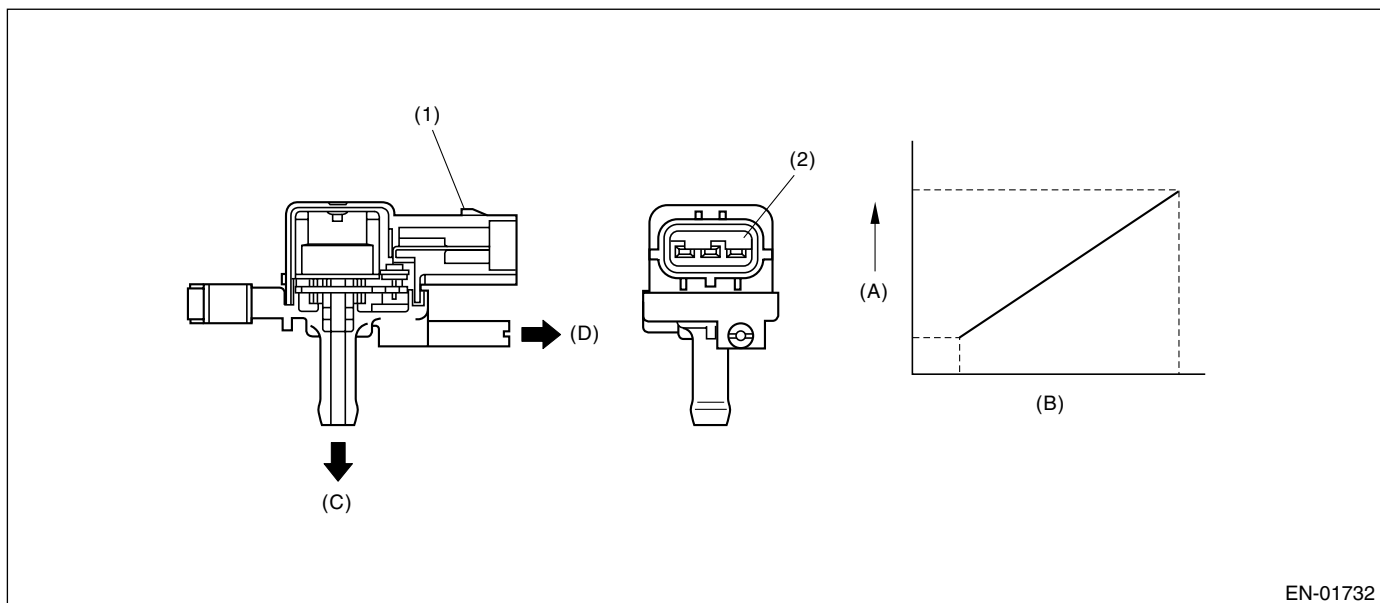
GENERAL DESCRIPTION

AZ:DTC P0453 — EVAPORATIVE EMISSION CONTROL SYSTEM PRESSURE SENSOR HIGH INPUT —

1. OUTLINE OF DIAGNOSIS

Detect the open or short circuit of tank pressure sensor.
Judge NG when out of the standard value.

2. COMPONENT DESCRIPTION



(1) Connector
(2) Terminal

(A) Output voltage
(B) Input voltage
(C) To fuel tank
(D) To tank pressure switching solenoid valve

3. ENABLE CONDITION

Secondary Parameters	Enable Conditions
Engine speed	≥ 500 rpm
Battery voltage	≥ 10 V
After engine starting	2 seconds or more

4. GENERAL DRIVING CYCLE

Perform the diagnosis continuously in 2 seconds after starting the engine.

DIAGNOSTIC TROUBLE CODE (DTC) DETECTING CRITERIA

GENERAL DESCRIPTION

5. DIAGNOSTIC METHOD

• Abnormality Judgment

Judge NG when the cumulative time until completing all of the malfunction criteria below becomes more than the time (20 seconds) needed for diagnosis.

Judgment Value

Malfunction Criteria	Threshold Value
Output voltage	≥ 4.8 V
Fuel temperature	$< 35^{\circ}\text{C}$ (95°F)
Barometric pressure	≥ 76 kPa (568 mmHg, 22.4 inHg)

Time Needed for Diagnosis: 20 seconds

Malfunction Indicator Light Illumination: Illuminates as soon as malfunction occurs.

• Normality Judgment

Judge OK and clear the NG when the malfunction criteria below are completed.

Judgment Value

Malfunction Criteria	Threshold Value
Output voltage	< 4.8 V

6. DTC CLEAR CONDITION

- When the OK idling cycle was completed 40 times in a row
- When "Clear Memory" was performed

7. MALFUNCTION INDICATOR LIGHT CLEAR CONDITION

- When the OK driving cycle was completed 3 times in a row
- When "Clear Memory" was performed

8. FAIL SAFE

Fix the fuel tank pressure at 0 kPa (0 mmHg, 0 inHg).

9. ECM OPERATION AT DTC SETTING

Memorize the freeze frame data. (For test mode \$02)

DIAGNOSTIC TROUBLE CODE (DTC) DETECTING CRITERIA

GENERAL DESCRIPTION

BA:DTC P0456 — EVAPORATIVE EMISSION CONTROL SYSTEM LEAK DETECTED (VERY SMALL LEAK) —

1. OUTLINE OF DIAGNOSIS

For detecting conditions, refer to DTC P0442 EVAPORATIVE EMISSION CONTROL SYSTEM LEAK DETECTED (SMALL LEAK). <Ref. to GD(H4SO)-105, DTC P0442 — EVAPORATIVE EMISSION CONTROL SYSTEM LEAK DETECTED (SMALL LEAK) —, Diagnostic Trouble Code (DTC) Detecting Criteria.>

BB:DTC P0457 — EVAPORATIVE EMISSION CONTROL SYSTEM LEAK DETECTED (FUEL CAP LOOSE/OFF) —

1. OUTLINE OF DIAGNOSIS

For detecting conditions, refer to DTC P0442 EVAPORATIVE EMISSION CONTROL SYSTEM LEAK DETECTED (SMALL LEAK). <Ref. to GD(H4SO)-105, DTC P0442 — EVAPORATIVE EMISSION CONTROL SYSTEM LEAK DETECTED (SMALL LEAK) —, Diagnostic Trouble Code (DTC) Detecting Criteria.>

DIAGNOSTIC TROUBLE CODE (DTC) DETECTING CRITERIA

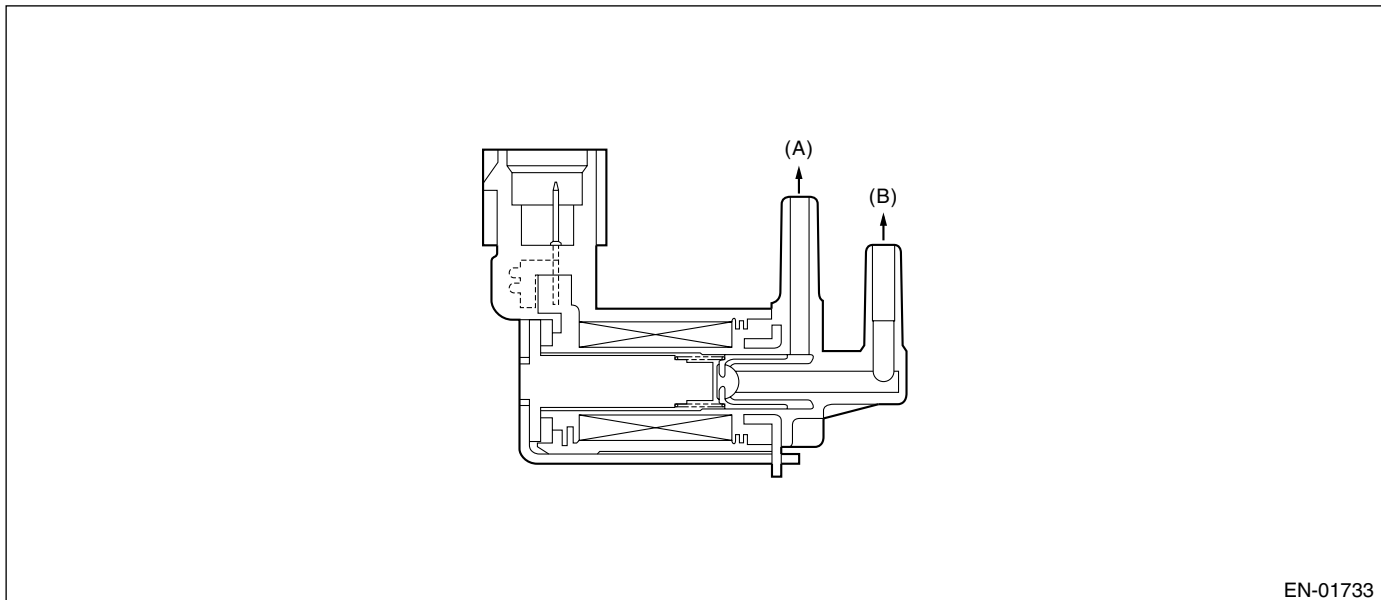
GENERAL DESCRIPTION

BC:DTC P0458 — EVAPORATIVE EMISSION CONTROL SYSTEM PURGE CONTROL VALVE CIRCUIT LOW —

1. OUTLINE OF DIAGNOSIS

Detect the open or short circuit of purge control solenoid valve.
Judge NG when ECM output level is different from actual terminal level.

2. COMPONENT DESCRIPTION



- (A) To canister
(B) To intake manifold

3. ENABLE CONDITION

Secondary Parameters	Enable Conditions
Engine speed	≥ 500 rpm
Battery voltage	≥ 8 V
After engine starting	1 second or more

4. GENERAL DRIVING CYCLE

Perform the diagnosis continuously after starting the engine.

5. DIAGNOSTIC METHOD

• Abnormality Judgment

Judge NG when the cumulative time until completing all the malfunction criteria below becomes more than the time (2 seconds) needed for diagnosis.

Judgment Value

Malfunction Criteria	Threshold Value
Duty ratio of "ON"	$< 25\%$
Terminal output voltage when ECM outputs OFF signal	Low

Time Needed for Diagnosis: 2.0 seconds

Malfunction Indicator Light Illumination: Illuminates when malfunction occurs in 2 continuous driving cycles.

DIAGNOSTIC TROUBLE CODE (DTC) DETECTING CRITERIA

GENERAL DESCRIPTION

• Normality Judgment

Judge OK when the cumulative time until completing all the malfunction criteria below becomes more than 1 second.

Judgment Value

Malfunction Criteria	Threshold Value
Duty ratio of "ON"	< 25%
Terminal output voltage when ECM outputs OFF signal	High

6. DTC CLEAR CONDITION

- When the OK idling cycle is completed 40 times in a row
- When "Clear Memory" was performed

7. MALFUNCTION INDICATOR LIGHT CLEAR CONDITION

- When the OK driving cycle was completed 3 times in a row
- When "Clear Memory" was performed

8. FAIL SAFE

None

9. ECM OPERATION AT DTC

Memorize the freeze frame data. (For test mode \$02)

DIAGNOSTIC TROUBLE CODE (DTC) DETECTING CRITERIA

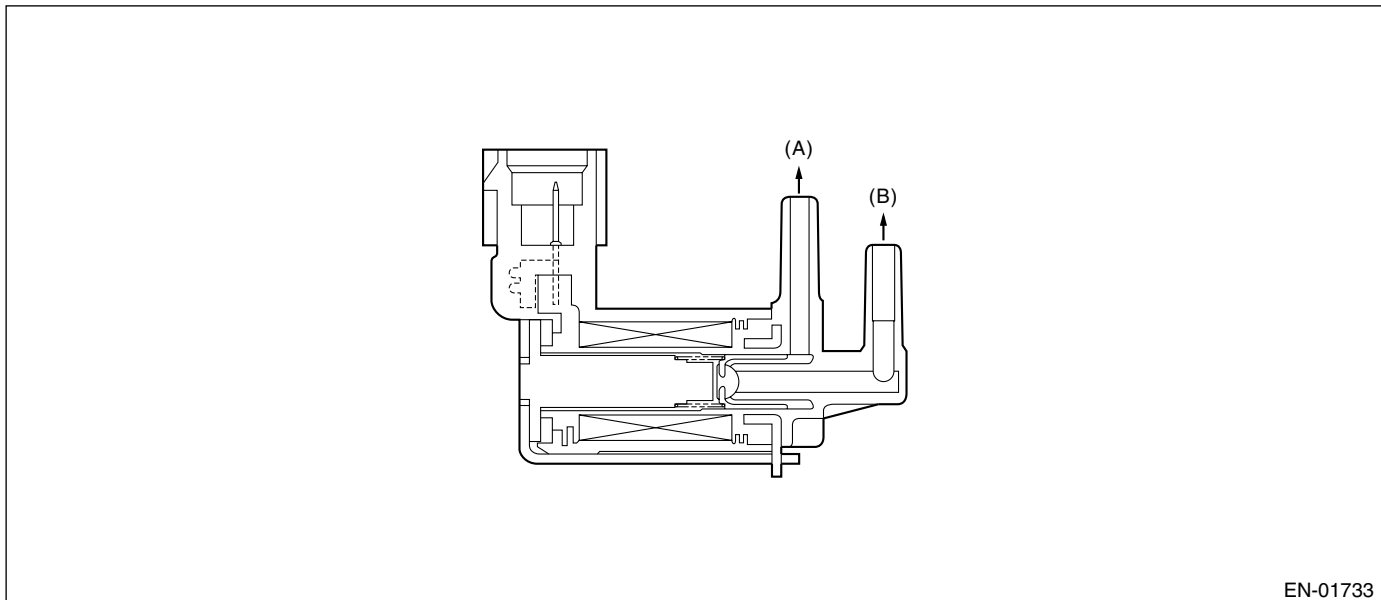
GENERAL DESCRIPTION

BD:DTC P0459 — EVAPORATIVE EMISSION CONTROL SYSTEM PURGE CONTROL VALVE CIRCUIT HIGH —

1. OUTLINE OF DIAGNOSIS

Detect the open or short circuit of purge control solenoid valve.
Judge NG when ECM output level is different from actual terminal level.

2. COMPONENT DESCRIPTION



- (A) To canister
(B) To intake manifold

3. ENABLE CONDITION

Secondary Parameters	Enable Conditions
Engine speed	≥ 500 rpm
Battery voltage	≥ 8 V
After engine starting	1 second or more

4. GENERAL DRIVING CYCLE

Perform the diagnosis continuously after starting the engine.

5. DIAGNOSTIC METHOD

• Abnormality Judgment

Judge NG when the cumulative time until completing the malfunction criteria below becomes more than the time (2 seconds) needed for diagnosis.

Judgment Value

Malfunction Criteria	Threshold Value
Duty ratio of "ON"	$> 75\%$
Terminal output voltage when ECM outputs ON signal	High

Time Needed for Diagnosis: 2.0 seconds

Malfunction Indicator Light Illumination: Illuminates when malfunction occurs in 2 continuous driving cycles.

DIAGNOSTIC TROUBLE CODE (DTC) DETECTING CRITERIA

GENERAL DESCRIPTION

• Normality Judgment

Judge OK when the cumulative time until completing the malfunction criteria below becomes more than 1 second.

Judgment Value

Malfunction Criteria	Threshold Value
Duty ratio of "ON"	> 75%
Terminal output voltage when ECM outputs OFF signal	Low

6. DTC CLEAR CONDITION

- When the OK idling cycle is completed 40 times in a row
- When "Clear Memory" was performed

7. MALFUNCTION INDICATOR LIGHT CLEAR CONDITION

- When the OK driving cycle was completed 3 times in a row
- When "Clear Memory" was performed

8. FAIL SAFE

None

9. ECM OPERATION AT DTC

Memorize the freeze frame data. (For test mode \$02)

DIAGNOSTIC TROUBLE CODE (DTC) DETECTING CRITERIA

GENERAL DESCRIPTION

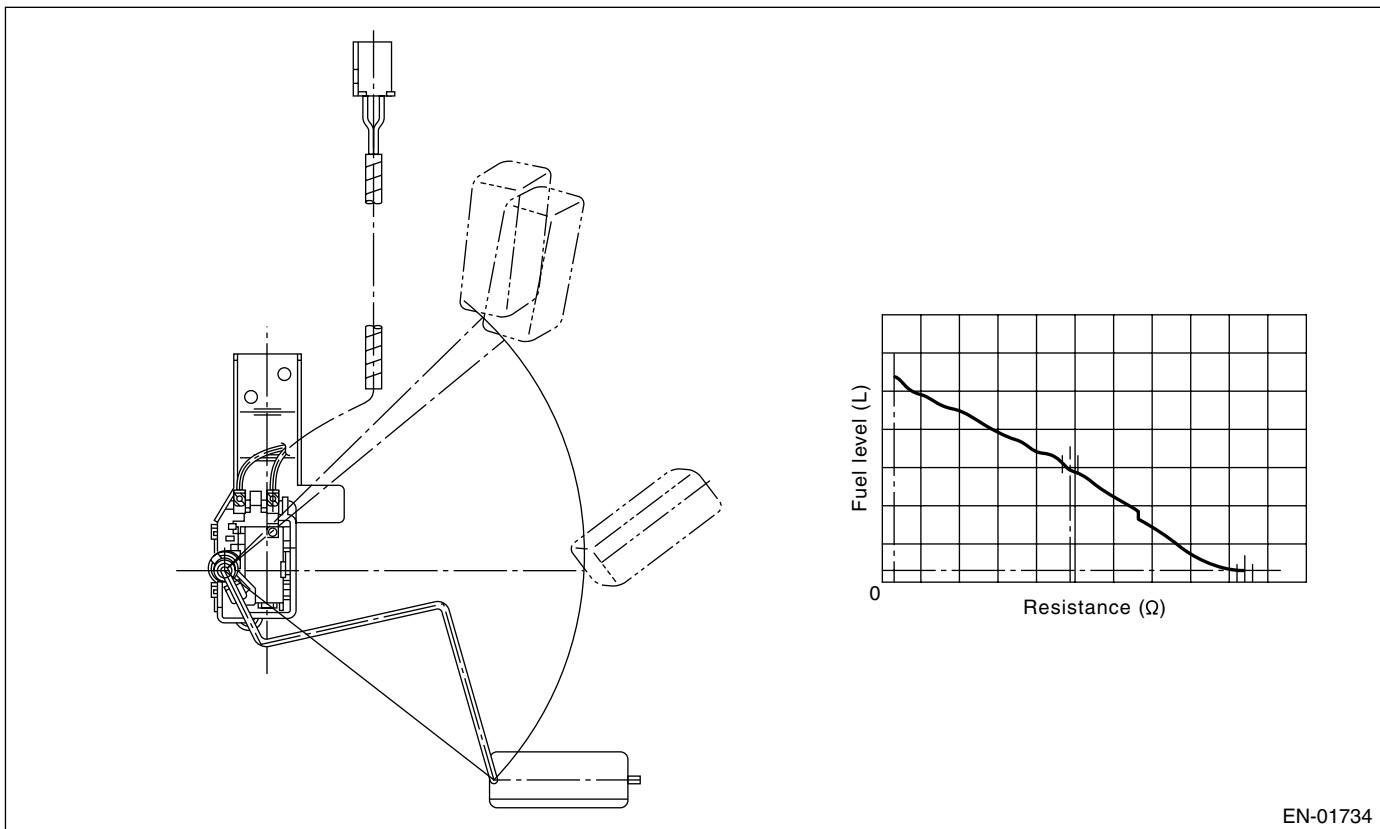
BE:DTC P0461 — FUEL LEVEL SENSOR CIRCUIT RANGE/PERFORMANCE —

1. OUTLINE OF DIAGNOSIS

Detect the malfunction of fuel level sensor output property.

Judge NG by the difference between max. and min. value of fuel level during every 160 km (100 miles) driving distance converted from vehicle speed.

2. COMPONENT DESCRIPTION



3. ENABLE CONDITION

Secondary Parameters	Enable Conditions
Timer after engine starting	≥ 250 seconds

4. GENERAL DRIVING CYCLE

Perform the diagnosis continuously in 250 seconds after starting the engine.

5. DIAGNOSTIC METHOD

• Abnormality Judgment

Judge NG when all the malfunction criteria below are completed.

Judgment Value

Malfunction Criteria	Threshold Value
Max. – min. fuel level	< 10 ℓ (2.6 US gal, 2.2 Imp gal)
Trip distance from last fill up	≥ 160 km (100 miles)

Time Needed for Diagnosis: Not determined.

Malfunction Indicator Light Illumination: Illuminates when malfunction occurs in 2 continuous driving cycles.

DIAGNOSTIC TROUBLE CODE (DTC) DETECTING CRITERIA

GENERAL DESCRIPTION

• Normality Judgment

Judge OK and clear the NG when the malfunction criteria below are completed.

Judgment Value

Malfunction Criteria	Threshold Value
Max. – min. fuel level	≥ 10 ℓ (2.6 US gal, 2.2 Imp gal)

6. DTC CLEAR CONDITION

- When the OK idling cycle is completed 40 times in a row
- When “Clear Memory” was performed

7. MALFUNCTION INDICATOR LIGHT CLEAR CONDITION

- When the OK driving cycle is completed 3 times in a row
- When “Clear Memory” was performed

8. FAIL SAFE

None

9. ECM OPERATION AT DTC SETTING

Memorize the freeze frame data. (For test mode \$02)

DIAGNOSTIC TROUBLE CODE (DTC) DETECTING CRITERIA

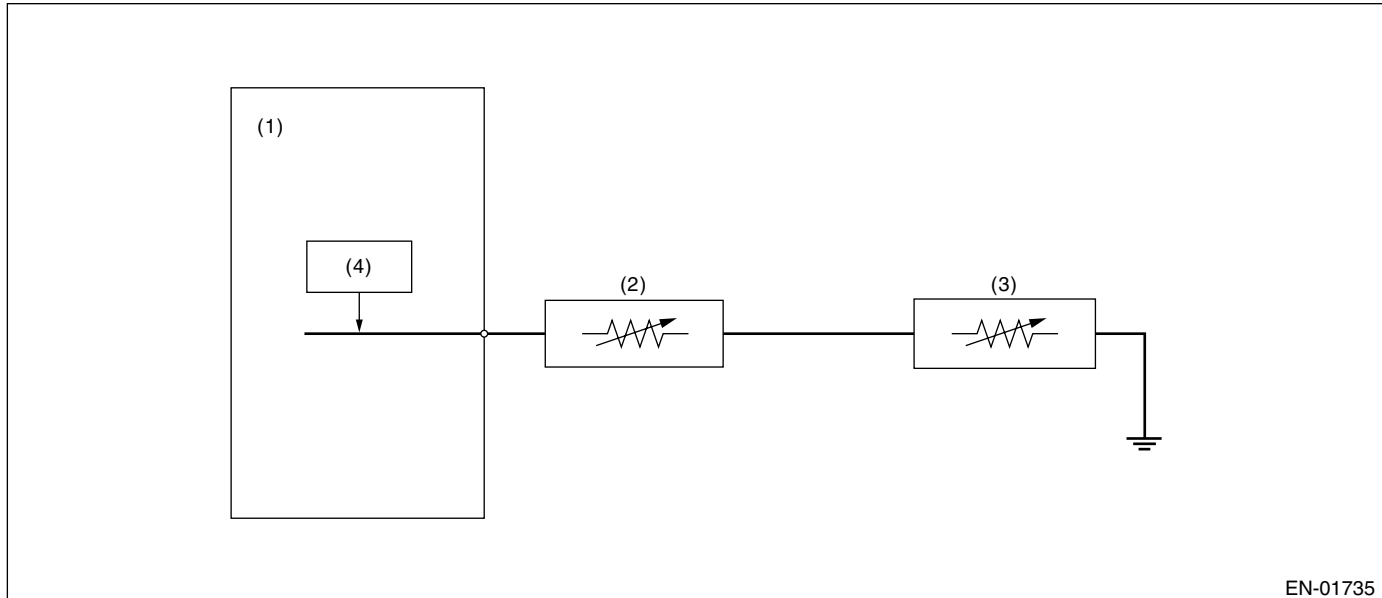
GENERAL DESCRIPTION

BF:DTC P0462 — FUEL LEVEL SENSOR CIRCUIT LOW INPUT —

1. OUTLINE OF DIAGNOSIS

Detect the open or short circuit of fuel level sensor.
Judge NG when out of the standard value.

2. COMPONENT DESCRIPTION



- (1) Engine control module (ECM)
- (2) Fuel level sensor
- (3) Fuel sub level sensor
- (4) Detecting circuit

3. ENABLE CONDITION

Secondary Parameters	Enable Conditions
Battery voltage	8 — 16 V

4. GENERAL DRIVING CYCLE

Perform the diagnosis continuously.

5. DIAGNOSTIC METHOD

Judge NG when the continuous time of completing the malfunction criteria below becomes more than the time (0.5 seconds) needed for diagnosis, and then judge OK and clear the NG when the malfunction criteria below are not completed.

Judgment Value

Malfunction Criteria	Threshold Value
Output voltage	≤ 0.02 V

Time Needed for Diagnosis: 2.5 seconds

Malfunction Indicator Light Illumination: Illuminates when malfunction occurs in 2 continuous driving cycles.

6. DTC CLEAR CONDITION

- When the OK driving cycle is completed 3 times in a row
- When “Clear Memory” was performed

DIAGNOSTIC TROUBLE CODE (DTC) DETECTING CRITERIA

GENERAL DESCRIPTION

7. MALFUNCTION INDICATOR LIGHT CLEAR CONDITION

- When the OK driving cycle is completed 3 times in a row
- When "Clear Memory" was performed

8. FAIL SAFE

None

9. ECM OPERATION AT DTC SETTING

Memorize the freeze frame data. (For test mode \$02)

DIAGNOSTIC TROUBLE CODE (DTC) DETECTING CRITERIA

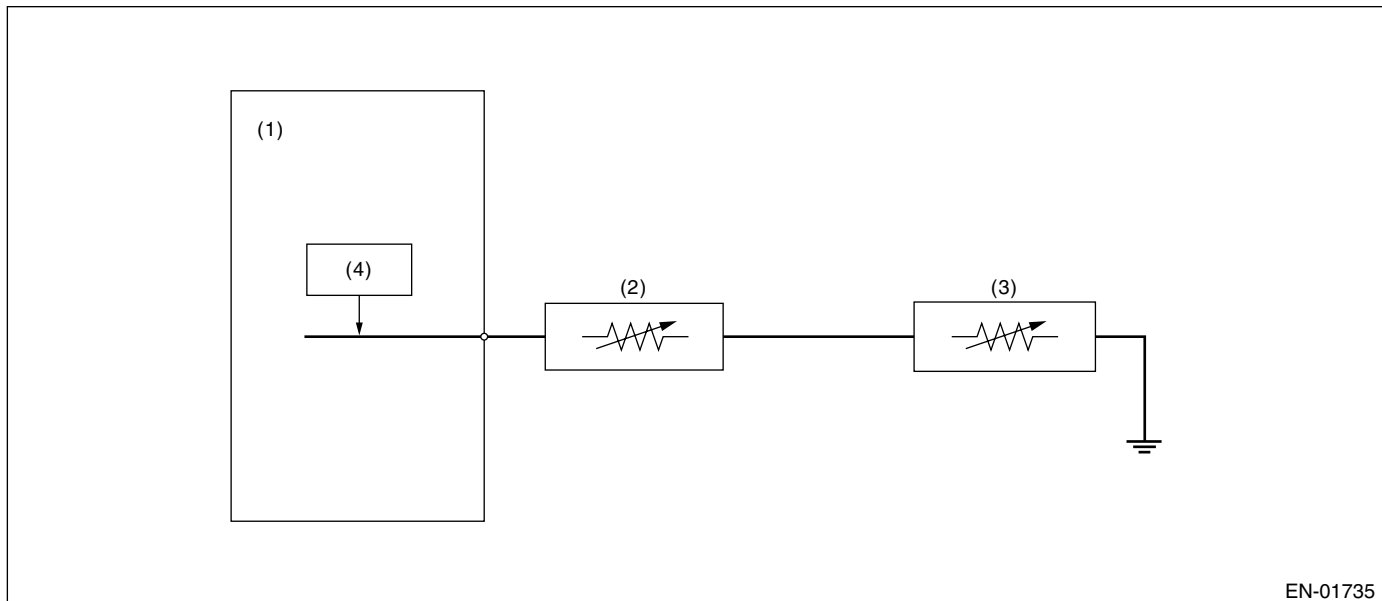
GENERAL DESCRIPTION

BG:DTC P0463 — FUEL LEVEL SENSOR CIRCUIT HIGH INPUT —

1. OUTLINE OF DIAGNOSIS

Detect the open or short circuit of fuel level sensor.
Judge NG when out of the standard value.

2. COMPONENT DESCRIPTION



- (1) Engine control module (ECM)
- (2) Fuel level sensor
- (3) Fuel sub level sensor
- (4) Detecting circuit

3. ENABLE CONDITION

Secondary Parameter	Enable Conditions
Battery voltage	8 — 16 V

4. GENERAL DRIVING CYCLE

Perform the diagnosis continuously.

5. DIAGNOSTIC METHOD

Judge NG when the cumulative time until completing the malfunction criteria below becomes more than the time (0.5 seconds) needed for diagnosis, and then judge OK and clear the NG when the malfunction criteria below are not completed.

Judgment Value

Malfunction Criteria	Threshold Value
Output voltage	≥ 4.90 V

Time Needed for Diagnosis: 2.5 seconds

Malfunction Indicator Light Illumination: Illuminates when malfunction occurs in 2 continuous driving cycles.

6. DTC CLEAR CONDITION

- When the OK idling cycle is completed 40 times in a row
- When "Clear Memory" was performed

DIAGNOSTIC TROUBLE CODE (DTC) DETECTING CRITERIA

GENERAL DESCRIPTION

7. MALFUNCTION INDICATOR LIGHT CLEAR CONDITION

- When the OK driving cycle is completed 3 times in a row
- When "Clear Memory" was performed

8. FAIL SAFE

None

9. ECM OPERATION AT DTC SETTING

Memorize the freeze frame data. (For test mode \$02)

DIAGNOSTIC TROUBLE CODE (DTC) DETECTING CRITERIA

GENERAL DESCRIPTION

BH:DTC P0464 — FUEL LEVEL SENSOR CIRCUIT INTERMITTENT —

1. OUTLINE OF DIAGNOSIS

Detect the malfunction of unstable output from fuel level sensor because of noise.

Judge NG by comparing the max value and cumulative value of the amount of output voltage variation from fuel level sensor with threshold value.

2. ENABLE CONDITION

Secondary Parameters	Enable Conditions
Engine speed	≥ 500 rpm
Battery voltage	> 10.9 V
After engine starting	1 second or more
Idle switch	ON
Fuel level	9 — 51 ℓ (2.4 — 13.5 US gal, 2.0 — 11.2 Imp gal)
Vehicle speed = 0 km/h (0 MPH)	10 seconds or more

3. GENERAL DRIVING CYCLE

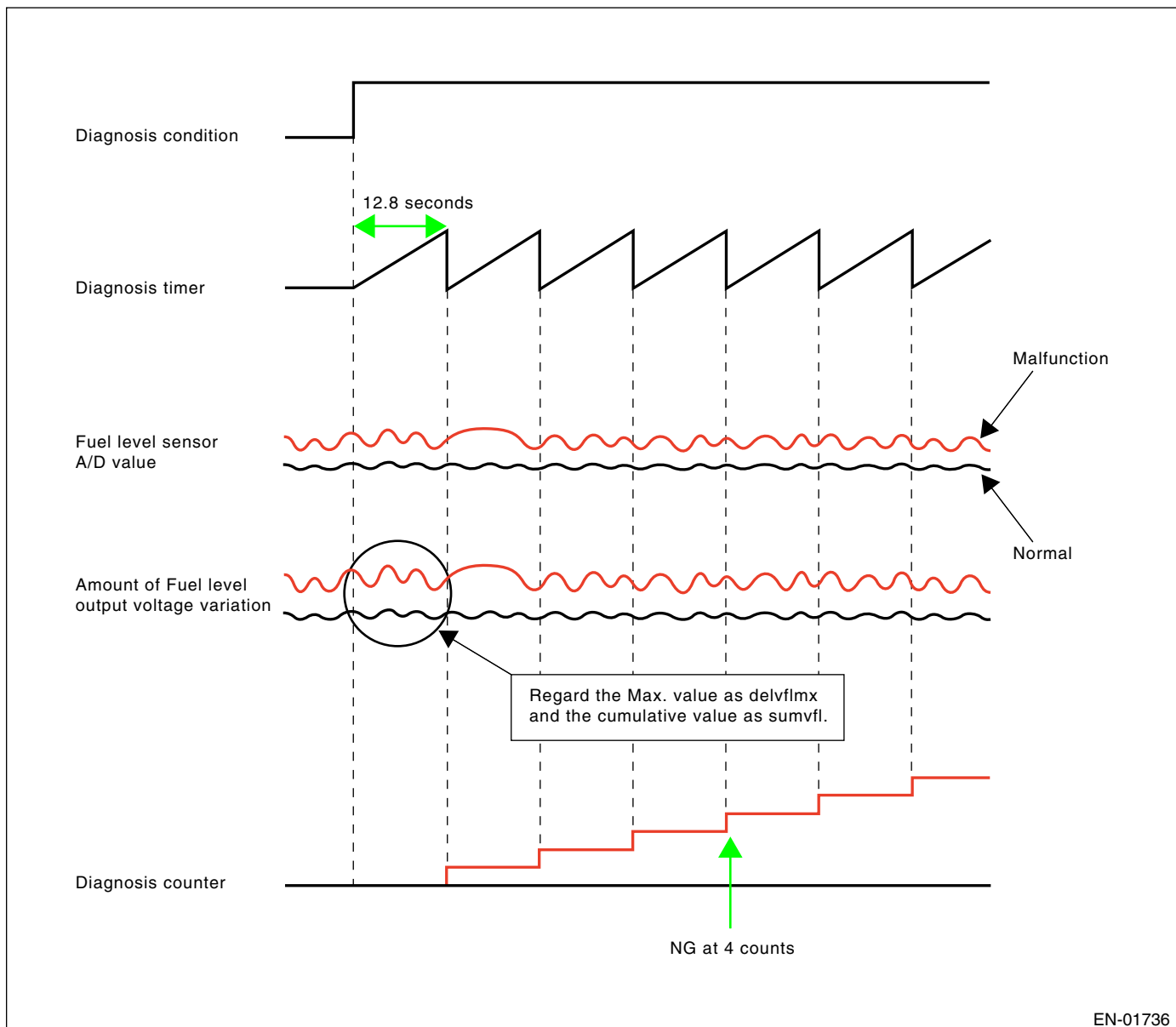
Perform the diagnosis continuously at idling.

DIAGNOSTIC TROUBLE CODE (DTC) DETECTING CRITERIA

GENERAL DESCRIPTION

4. DIAGNOSTIC METHOD

Calculate the max. value of the amount of output voltage variation from fuel level sensor and cumulative value during 12.8 seconds. Comparing the max value and cumulative value with the threshold value, and judge OK when the both do not go over the threshold value. Otherwise, when one of them goes over the threshold, count the counter up. Judge the ECM is troubled when the counter increased 4 times in a row.



• Abnormality Judgment

Judge NG when the malfunction criteria below are completed.

DIAGNOSTIC TROUBLE CODE (DTC) DETECTING CRITERIA

GENERAL DESCRIPTION

Judgment Value

Malfunction Criteria	Threshold Value
Integrated times of the condition reaching follows, <ul style="list-style-type: none">• DVFLMAX ≥ 0.88 V• SUMVFL ≥ 14.08 V– DVFLMAX is max. value of sensor output during 12.8 seconds.– SUMVFL is cumulative value of sensor output deviation during 12.8 seconds.	≥ 4 times

Time Needed for Diagnosis: 12.8 seconds \times 4 times

Malfunction Indicator Light Illumination: Illuminates when malfunction occurs in 2 continuous driving cycles.

• Normality Judgment

Judge OK and clear the NG when all the malfunction criteria below are completed.

Judgment Value

Malfunction Criteria	Threshold Value
DVFLMAX	< 0.88 V
SUMVFL	< 14.08 V

5. DTC CLEAR CONDITION

- When the OK idling cycle is completed 40 times in a row
- When "Clear Memory" was performed

6. MALFUNCTION INDICATOR LIGHT CLEAR CONDITION

- When the OK driving cycle is completed 3 times in a row
- When "Clear Memory" was performed

7. FAIL SAFE

None

8. ECM OPERATION AT DTC SETTING

Memorize the freeze frame data. (For test mode \$02)

DIAGNOSTIC TROUBLE CODE (DTC) DETECTING CRITERIA

GENERAL DESCRIPTION

BI: DTC P0483 — COOLING FAN RATIONALITY CHECK —

1. OUTLINE OF DIAGNOSIS

Detect the malfunction of radiator fan.

Judge NG when the engine coolant temperature decreases slowly even if the radiator fan started rotating.

2. ENABLE CONDITION

Secondary Parameters	Enable Conditions
Engine coolant temperature	$\geq 100^{\circ}\text{C}$ (212°F)

3. GENERAL DRIVING CYCLE

Perform the diagnosis continuously when the engine coolant temperature is very high (more than 100°C (212°F)).

4. DIAGNOSTIC METHOD

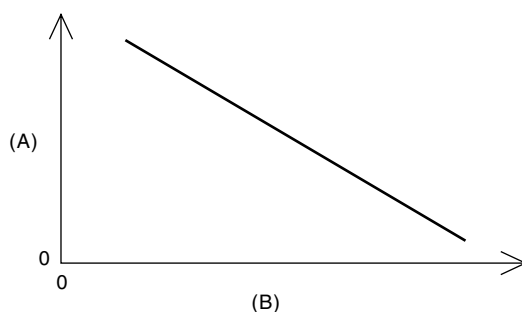
Check the engine coolant temperature (A/D value) when the radiator fan is ON since the radiator fan output turns from OFF to ON with all of the malfunction conditions below completed.

Secondary Parameters	Enable Conditions
Engine speed	600 — 900 rpm
Idle switch	ON
Vehicle speed	0 km/h (0 MPH)
Battery voltage	≥ 10.9 V

Judge NG when the cumulative time until completing the malfunction criteria below becomes more than the time (150 seconds) needed for diagnosis. Also Judge OK when the malfunction criteria below is not completed. And then clear NG.

Judgment Value

Malfunction Criteria	Threshold Value
Engine coolant temperature sensor A/D value – engine coolant temperature sensor A/D min. value	< 15 mV (Approx. 1°C (34°F))



EN-01737

(A) Engine coolant temperature $^{\circ}\text{C}$ ($^{\circ}\text{F}$)

(B) A/D value (V)

GD(H4SO)-157

DIAGNOSTIC TROUBLE CODE (DTC) DETECTING CRITERIA

GENERAL DESCRIPTION

Time Needed for Diagnosis: 150 seconds

Malfunction Indicator Light Illumination: Illuminates when malfunction occurs in 2 continuous driving cycles.

5. DTC CLEAR METHOD

- When the OK idling cycle was completed 40 times in a row
- When "Clear Memory" was performed

6. MALFUNCTION INDICATOR LIGHT CLEAR CONDITION

- When the OK driving cycle was completed 3 times in a row
- When "Clear Memory" was performed

7. FAIL SAFE

None

8. ECM OPERATION AT DTC SETTING

Memorize the freeze frame data. (For test mode \$02)

DIAGNOSTIC TROUBLE CODE (DTC) DETECTING CRITERIA

GENERAL DESCRIPTION

BJ:DTC P0502 — VEHICLE SPEED SENSOR CIRCUIT LOW INPUT —

1. OUTLINE OF DIAGNOSIS

- Detect the open or short circuit of vehicle speed.
- Judge NG when the vehicle speed is low while the vehicle speed is assumed to be high.

2. ENABLE CONDITION

Secondary Parameters	Enable Conditions
None	

3. GENERAL DRIVE CYCLE

Perform the diagnosis continuously.

4. DIAGNOSTIC METHOD

Judge NG when the time of completing the malfunction criteria below becomes more than time needed for diagnosis. Judge OK when the vehicle speed is more than 4 km/h (2.5 MPH) and less than 224 km/h (140 MPH).

Judgment Value

Malfunction Criteria	Threshold Value
Low side diagnosis (1)	
Cumulative time when the malfunction criteria below are completed	≥ 20 seconds
Idle switch	OFF
Injector pulse	≥ 2.5 milliseconds
Engine speed	≥ 2800 rpm
Neutral switch	OFF
Vehicle speed	< 4 km/h (2.5 MPH)
Low side diagnosis (2)	
Cumulative time when the malfunction criteria below are completed	≥ 60 seconds
Idle switch	OFF
Injector pulse	≥ 2.0 milliseconds
Engine speed	≥ 2100 rpm
Neutral switch	OFF
Vehicle speed	< 4 km/h (2.5 MPH)

Time Needed for Diagnosis:

Low side (1)	20 seconds
Low side (2)	60 seconds

Malfunction Indicator Light Illumination: Illuminates as soon as malfunction occurs.

5. DTC CLEAR CONDITION

- When the OK idling cycle is completed 40 times in a row
- When "Clear Memory" was performed

6. MALFUNCTION INDICATOR LIGHT CLEAR CONDITION

- When the OK driving cycle was completed 3 times in a row.
- When "Clear Memory" was performed

7. FAIL SAFE

None

8. ECM OPERATION AT DTC

Memorize the freeze frame data. (For test mode \$02)

GD(H4SO)-159

DIAGNOSTIC TROUBLE CODE (DTC) DETECTING CRITERIA

GENERAL DESCRIPTION

BK:DTC P0503 — VEHICLE SPEED SENSOR INTERMITTENT/ERRATIC/HIGH —

1. OUTLINE OF DIAGNOSIS

- Detect the open or short circuit of vehicle speed.
- Judge NG when the vehicle speed is high while the vehicle speed is assumed to be low.

2. ENABLE CONDITION

Secondary Parameters	Enable Conditions
None	

3. GENERAL DRIVE CYCLE

Perform the diagnosis continuously.

4. DIAGNOSTIC METHOD

Judge NG when the time of completing the malfunction criteria below becomes more than time needed for diagnosis. Judge OK when the vehicle speed is more than 4 km/h (2.5 MPH) and less than 224 km/h (140 MPH).

Judgment Value

Malfunction Criteria	Threshold Value
High side diagnosis	
Cumulative time when the malfunction criteria below are completed	≥ 5 seconds
Idle switch	OFF
Injector pulse	≤ 2.0 milliseconds
Engine speed	≤ 2100 rpm
Neutral switch	OFF
Vehicle speed	≥ 244 km/h (152 MPH)

Time Needed for Diagnosis:

High 5 seconds

Malfunction Indicator Light Illumination: Illuminates as soon as malfunction occurs.

5. DTC CLEAR CONDITION

- When the OK idling cycle is completed 40 times in a row
- When "Clear Memory" was performed

6. MALFUNCTION INDICATOR LIGHT CLEAR CONDITION

- When the OK driving cycle was completed 3 times in a row
- When "Clear Memory" was performed

7. FAIL SAFE

None

8. ECM OPERATION AT DTC

Memorize the freeze frame data. (For test mode \$02)

DIAGNOSTIC TROUBLE CODE (DTC) DETECTING CRITERIA

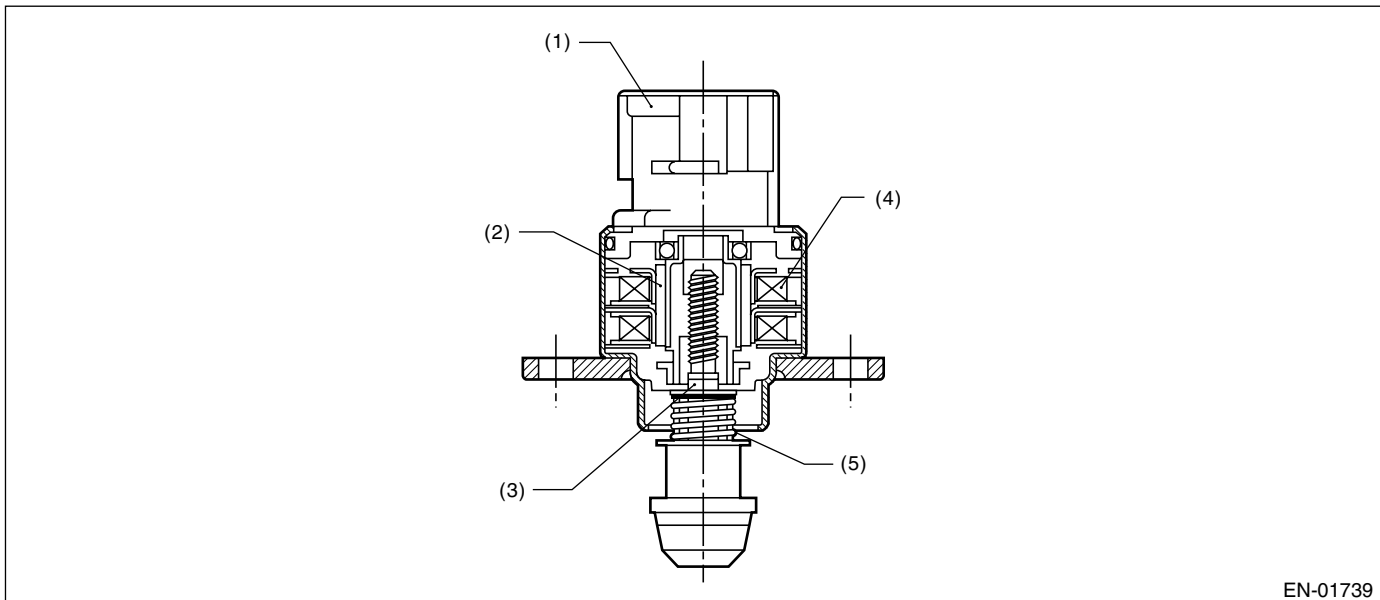
GENERAL DESCRIPTION

BL:DTC P0506 — IDLE CONTROL SYSTEM RPM LOWER THAN EXPECTED —

1. OUTLINE OF DIAGNOSIS

Detect the malfunction that the engine speed does not approach to the target engine speed at idling.
Judge NG when the engine speed is lower than target engine speed and does not increase to target engine speed even though idle air control solenoid valve is opened.

2. COMPONENT DESCRIPTION



EN-01739

- (1) Connector
- (2) Permanent magnet
- (3) Shaft
- (4) Coil
- (5) Spring

3. ENABLE CONDITION

Secondary Parameters	Enable Conditions
Closed control in ISC	In operation
Dashpot function	0
Vehicle speed	= 0 km/h (0 MPH)
Coolant temperature	≥ 75°C (167°F)
Battery voltage	> 10.9 V
AT or neutral gear for MT model	

4. GENERAL DRIVE CYCLE

Perform the diagnosis continuously at idling after warming up engine.

DIAGNOSTIC TROUBLE CODE (DTC) DETECTING CRITERIA

GENERAL DESCRIPTION

5. DIAGNOSTIC METHOD

• Abnormality Judgment

Judge NG when the continuous time until completing all the malfunction criteria below becomes more than the time (10 seconds) needed for diagnosis.

Judgment Value

Malfunction Criteria	Threshold Value
Actual – target engine speed	≤ 100 rpm
ISC output ISCON	ISC output MAX value

Time Needed for Diagnosis: 10 seconds

Malfunction Indicator Light Illumination: Illuminates when malfunction occurs in 2 continuous driving cycles.

• Normality Judgment

Judge OK when the continuous time until completing the malfunction criteria below becomes more than time needed for diagnosis (2 seconds).

Judgment Value

Malfunction Criteria	Threshold Value
Actual – target engine speed	> 100 rpm

6. DTC CLEAR CONDITION

- When the OK idling cycle is completed 40 times in a row
- When “Clear Memory” was performed

7. MALFUNCTION INDICATOR LIGHT CLEAR CONDITION

- When the OK driving cycle was completed 3 times in a row
- When “Clear Memory” was performed

8. FAIL SAFE

None

9. ECM OPERATION AT DTC

Memorize the freeze frame data. (For test mode \$02)

DIAGNOSTIC TROUBLE CODE (DTC) DETECTING CRITERIA

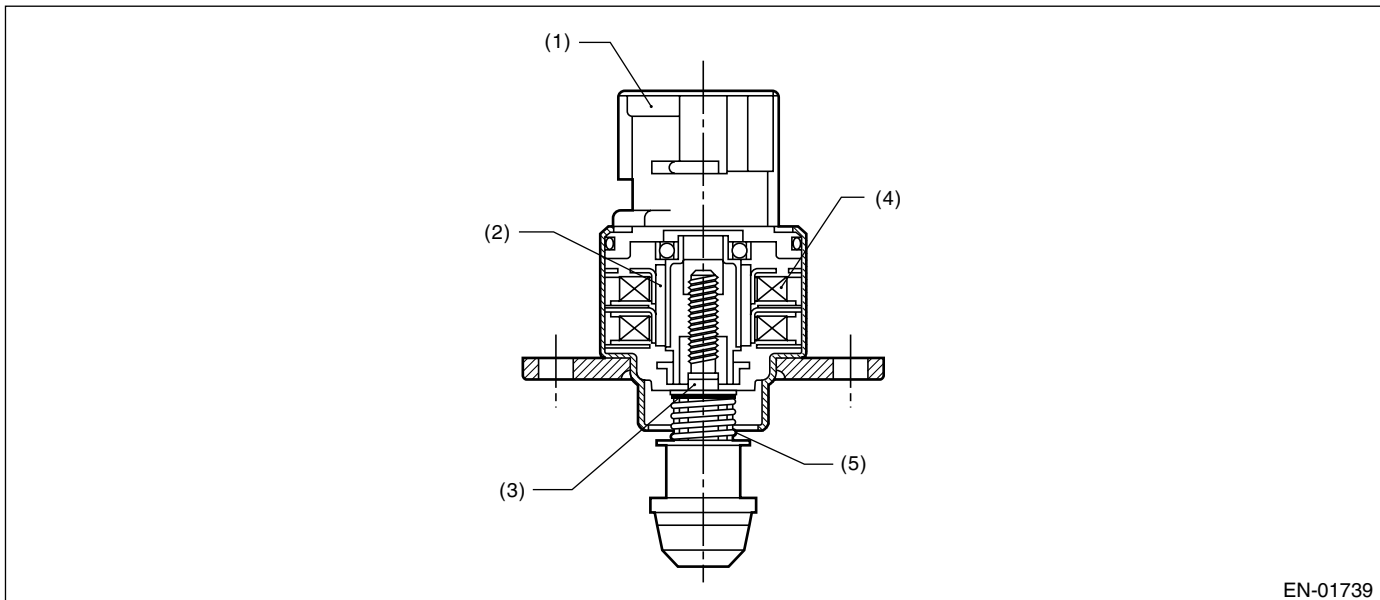
GENERAL DESCRIPTION

BM:DTC P0507 — IDLE CONTROL SYSTEM RPM HIGHER THAN EXPECTED —

1. OUTLINE OF DIAGNOSIS

Detect the malfunction that the engine speed does not approach to the target engine speed at idling.
Judge NG when the engine speed is higher than target engine speed and does not decrease to target engine speed even though idle air control solenoid valve is closed.

2. COMPONENT DESCRIPTION



EN-01739

- (1) Connector
- (2) Permanent magnet
- (3) Shaft
- (4) Coil
- (5) Spring

3. ENABLE CONDITION

Secondary Parameters	Enable Conditions
Closed control in ISC	In operation
Dashpot function	0
Vehicle speed	= 0 km/h (0 MPH)
Coolant temperature	≥ 75°C (167°F)
Battery voltage	> 10.9 V
AT or neutral gear for MT model	

4. GENERAL DRIVE CYCLE

Perform the diagnosis continuously at idling after warming up engine.

DIAGNOSTIC TROUBLE CODE (DTC) DETECTING CRITERIA

GENERAL DESCRIPTION

5. DIAGNOSTIC METHOD

• Abnormality Judgment

Judge NG when the continuous time until completing all the malfunction criteria below becomes more than the time (10 seconds) needed for diagnosis.

Judgment Value

Malfunction Criteria	Threshold Value
Actual – target engine speed	≥ 200 rpm
ISC output ISCON	ISC output MAX value

Time Needed for Diagnosis: 10 seconds

Malfunction Indicator Light Illumination: Illuminates when malfunction occurs in 2 continuous driving cycles.

• Normality Judgment

Judge OK when the continuous time until completing all the malfunction criteria below becomes more than the time (2 seconds) needed for diagnosis.

Judgment Value

Malfunction Criteria	Threshold Value
Actual – target engine speed	< 200 rpm

6. DTC CLEAR CONDITION

- When the OK idling cycle is completed 40 times in a row
- When “Clear Memory” was performed

7. MALFUNCTION INDICATOR LIGHT CLEAR CONDITION

- When the OK driving cycle was completed 3 times in a row
- When “Clear Memory” was performed

8. FAIL SAFE

None

9. ECM OPERATION AT DTC

Memorize the freeze frame data. (For test mode \$02)

DIAGNOSTIC TROUBLE CODE (DTC) DETECTING CRITERIA

GENERAL DESCRIPTION

BN:DTC P0512 — STARTER REQUEST CIRCUIT —

1. OUTLINE OF DIAGNOSIS

- Detect the open/short circuit of starter switch.
- Judge ON NG when the starter signal remains ON even though vehicle speed and engine speed increased.

2. ENABLE CONDITION

Secondary Parameters	Enable Conditions
Engine	Run

3. GENERAL DRIVING CYCLE

Always perform diagnosis continuously after starting engine.

4. DIAGNOSTIC METHOD

Judge NG when the continuous time until completing the malfunction criteria below becomes more than time needed for diagnosis (10 seconds). Judge OK and clear the NG when the starter switch is turned to OFF.

Judgment Value

Malfunction Criteria	Threshold Value
Engine speed	≥ 1500 rpm
Vehicle speed	≥ 30 km/h (19 MPH)
Starter "OFF" signal	Not detected

Time Needed for Diagnosis:

OFF side	Condition (engine speed 0 → 700 rpm) time needed for completion
ON side	10 seconds

Malfunction Indicator Light Illumination: Illuminates when malfunction occurs in 2 continuous driving cycles.

5. DTC CLEAR CONDITION

- When the OK idling cycle is completed 40 times in a row
- When "Clear Memory" was performed

6. MALFUNCTION INDICATOR LIGHT CLEAR CONDITION

- When the OK driving cycle was completed 3 times in a row
- When "Clear Memory" was performed

7. FAIL SAFE

None

8. ECM OPERATION AT DTC

Memorize the freeze frame data. (For test mode \$02)

DIAGNOSTIC TROUBLE CODE (DTC) DETECTING CRITERIA

GENERAL DESCRIPTION

BO:DTC P0519 — IDLE CONTROL SYSTEM MALFUNCTION (FAIL-SAFE) —

1. OUTLINE OF DIAGNOSIS

- Detect the malfunction of engine speed increase at idling.
- Judge NG when the engine speed is higher than and too far from the target engine speed.

2. ENABLE CONDITION

Secondary Parameters	Enable Conditions
Dashpot function at closed idle control	0

3. GENERAL DRIVE CYCLE

Always perform the diagnosis continuously at idle speed.

4. DIAGNOSTIC METHOD

• Abnormality Judgment

Judge NG when the cumulative time until completing the malfunction criteria below becomes more than the time needed for diagnosis.

Judgment Value

Malfunction Criteria	Threshold Value
Actual – target engine speed	≥ 800 rpm
ISC closed loop compensation value	= MIN value
Engine speed	≥ Target idle speed

• Normality Judgment

Judge OK when one of the malfunction criteria below is completed.

Judgment Value

Malfunction Criteria	Threshold Value
ISC closed loop compensation value	≠ MIN value
Cumulative time (actual – target engine speed) < 100 rpm	≥ 2 seconds
Cumulative time (engine speed < target idle speed)	≥ 2 seconds

Time Needed for Diagnosis: 2 seconds

Malfunction Indicator Light Illumination: Illuminates as soon as malfunction occurs.

5. DTC CLEAR CONDITION

- When the OK idling cycle is completed 40 times in a row
- When “Clear Memory” was performed

6. MALFUNCTION INDICATOR LIGHT CLEAR CONDITION

- When the OK driving cycle was completed 3 times in a row
- When “Clear Memory” was performed

7. FAIL SAFE

Cut the fuel of all cylinders, #1 cylinder or #1, #2 cylinder according to throttle position, engine speed, vehicle speed.

8. ECM OPERATION AT DTC

Memorize the freeze frame data. (For test mode \$02)

DIAGNOSTIC TROUBLE CODE (DTC) DETECTING CRITERIA

GENERAL DESCRIPTION

BP:DTC P0565 — CRUISE CONTROL ON SIGNAL —

1. OUTLINE OF DIAGNOSIS

Judge NG when the vehicle speed is less than 20 km/h (12 MPH) and cruise control set signal remains ON for limited time.

2. ENABLE CONDITION

Secondary Parameters	Enable Conditions
Vehicle speed	≤ 20 km/h (12 MPH)

3. GENERAL DRIVING CYCLE

Always perform the diagnosis with less than 20 km/h (12 MPH) vehicle speed.

4. DIAGNOSTIC METHOD

Judgment Value

Malfunction Criteria	Threshold Value
Canceling signal	No signal

Time Needed for Diagnosis: 10 seconds

Malfunction Indicator Light Illumination: Illuminates when malfunction occurs in 2 continuous driving cycles.

5. DTC CLEAR CONDITION

- When the OK idling cycle was completed 40 times in a row
- When "Clear Memory" was performed

6. MALFUNCTION INDICATOR LIGHT CLEAR CONDITION

- When the OK driving cycle was completed 3 times in a row
- When "Clear Memory" was performed

7. FAIL SAFE

None

8. ECM OPERATION AT DTC SETTING

Memorize the freeze frame data. (For test mode \$02)

DIAGNOSTIC TROUBLE CODE (DTC) DETECTING CRITERIA

GENERAL DESCRIPTION

BQ:DTC P0604 — INTERNAL CONTROL MODULE RANDOM ACCESS MEMORY (RAM) ERROR —

1. OUTLINE OF DIAGNOSIS

- Detect the malfunction of micro-computer (RAM).
- Zero clear the all normal RAM on initial routine, and judge NG when the sum of cleared RAM is not “0”.

2. ENABLE CONDITION

Perform the diagnosis without condition by initial routine.

3. GENERAL DRIVING CYCLE

Perform the diagnosis only once immediately after the IG key is turned to ON.

4. DIAGNOSTIC METHOD

Judge NG when the malfunction criteria below are completed, and judge OK at the IG key turned to ON.

Judgment Value

Malfunction Criteria	Threshold Value
Sum on RAM data after data cleared operation	Not to zero

Time Needed for Diagnosis: Not determined

Malfunction Indicator Light Illumination: Illuminates as soon as malfunction occurs.

5. DTC CLEAR CONDITION

- When the OK idling cycle is completed 40 times in a row
- When “Clear Memory” was performed

6. MALFUNCTION INDICATOR LIGHT CLEAR CONDITION

- When the OK driving cycle is completed 3 times in a row
- When “Clear Memory” was performed

7. FAIL SAFE

None

8. ECM OPERATION AT DTC SETTING

Memorize the freeze frame data. (For test mode \$02)

DIAGNOSTIC TROUBLE CODE (DTC) DETECTING CRITERIA

GENERAL DESCRIPTION

BR:DTC P0691 — COOLING FAN 1 CONTROL CIRCUIT LOW —

1. OUTLINE OF DIAGNOSIS

- Detect the open/short circuit of radiator fan circuit.
- Judge NG when the ECM output level and the actual terminal level are different.

2. ENABLE CONDITION

Secondary Parameters	Enable Conditions
Engine speed	≥ 500 rpm
Battery voltage	≥ 8 V
After engine starting	1 second or more

3. GENERAL DRIVING CYCLE

Always perform the diagnosis continuously after starting the engine.

4. DIAGNOSTIC METHOD

Judge NG when the continuous time until completing the malfunction criteria below becomes more than the time (2.5 seconds) needed for diagnosis, and also judge OK when the malfunction criteria below is not completed. And then clear NG.

Judgment Value

Malfunction Criteria	Threshold Value
Terminal voltage level when ECM transmits OFF signal	Low level

Time Needed for Diagnosis: 2.5 seconds

Malfunction Indicator Light Illumination: Illuminates when malfunction occurs in 2 continuous driving cycles.

5. DTC CLEAR CONDITION

- When the OK idling cycle was completed 40 times in a row
- When "Clear Memory" was performed

6. MALFUNCTION INDICATOR LIGHT CLEAR CONDITION

- When the OK driving cycle was completed 3 times in a row
- When "Clear Memory" was performed

7. FAIL SAFE

None

8. ECM OPERATION AT DTC SETTING

Memorize the freeze frame data. (For test mode \$02)

DIAGNOSTIC TROUBLE CODE (DTC) DETECTING CRITERIA

GENERAL DESCRIPTION

BS:DTC P0692 — COOLING FAN 1 CONTROL CIRCUIT HIGH —

1. OUTLINE OF DIAGNOSIS

- Detect the open/short circuit of radiator fan circuit.
- Judge NG when the ECM output level and the actual terminal level are different.

2. ENABLE CONDITION

Secondary Parameters	Enable Conditions
Engine speed	≥ 500 rpm
Battery voltage	≥ 8 V
After engine starting	1 second or more

3. GENERAL DRIVING CYCLE

Always perform the diagnosis continuously after starting the engine.

4. DIAGNOSTIC METHOD

Judge NG when the continuous time until completing the malfunction criteria below becomes more than the time (2.5 seconds) needed for diagnosis, and also judge OK when the malfunction criteria below is not completed. And then clear NG.

Judgment Value

Malfunction Criteria	Threshold Value
Terminal voltage level when ECM transmits ON signal	High level

Time Needed for Diagnosis: 2.5 seconds

Malfunction Indicator Light Illumination: Illuminates when malfunction occurs in 2 continuous driving cycles.

5. DTC CLEAR CONDITION

- When the OK idling cycle was completed 40 times in a row
- When "Clear Memory" was performed

6. MALFUNCTION INDICATOR LIGHT CLEAR CONDITION

- When the OK driving cycle was completed 3 times in a row
- When "Clear Memory" was performed

7. FAIL SAFE

None

8. ECM OPERATION AT DTC SETTING

Memorize the freeze frame data. (For test mode \$02)

DIAGNOSTIC TROUBLE CODE (DTC) DETECTING CRITERIA

GENERAL DESCRIPTION

BT:DTC P0703 — TORQUE CONVERTER/BRAKE SWITCH “B” CIRCUIT —

1. OUTLINE OF DIAGNOSIS

Judge NG when the AT break SW circuit is battery short, ground short or open.

2. ENABLE CONDITION

Secondary Parameters	Enable Conditions
Vehicle speed change	30 to 0 km/h (19 to 0 MPH) 0 to 30 km/h (0 to 19 MPH)

3. GENERAL DRIVING CYCLE

Reform the diagnosis continuously after engine start.

4. DIAGNOSTIC METHOD

Judgment Value

Malfunction Criteria	Threshold Value
ON signal	No signal
OFF signal	No signal

Time Needed for Diagnosis: 10 times

Malfunction Indicator Light Illumination: Illuminates when malfunction occurs in 2 continuous driving cycles.

5. DTC CLEAR CONDITION

- When the OK idling cycle was completed 40 times in a row
- When “Clear Memory” was performed

6. MALFUNCTION INDICATOR LIGHT CLEAR CONDITION

- When the OK driving cycle was completed 3 times in a row
- When “Clear Memory” was performed

7. FAIL SAFE

None

8. ECM OPERATION AT DTC SETTING

Memorize the freeze frame data. (For test mode \$02)

DIAGNOSTIC TROUBLE CODE (DTC) DETECTING CRITERIA

GENERAL DESCRIPTION

BU:DTC P0705 — TRANSMISSION RANGE SENSOR CIRCUIT (PRNDL INPUT)

1. OUTLINE OF DIAGNOSIS

Judge NG when the “D” range switch becomes ground short or open circuit.

2. COMPONENT DESCRIPTION

Inhibitor switch ensures the safety at engine start. This switch is installed to the right side of transmission case, and operated by selector lever.

When the selector lever is in the “P” or “N” range, the engine will start because the electric circuit in inhibitor switch is closed and the starter circuit is connected.

When the selector lever is in the “R”, “D”, “3”, “2” or “1” range, the electric circuit in inhibitor switch is open; therefore, the engine cannot be cranked. In the “R” range, the back-up light will illuminate because the back-up light circuit in the switch is connected.

In addition to the functions above, the inhibitor switch has the circuit which detects the selected range position at the present and transmits the range signal to the TCM.

3. ENABLE CONDITION

Secondary Parameters	Enable Conditions
Shift	“N” to “3”
Vehicle speed	≥ 60 km/h (37 MPH)
Engine speed	> 500 rpm
Battery voltage	> 10.9 V

4. GENERAL DRIVING CYCLE

Perform the diagnosis continuously after engine start.

5. DIAGNOSTIC METHOD

Judgment Value

Malfunction Criteria	Threshold Value
“D” signal continuously	Not detected
Simultaneous signal	≥ 2

Time Needed for Diagnosis:

- 63.75 seconds
- 10 seconds

Malfunction Indicator Light Illumination: Illuminates when malfunction occurs in 2 continuous driving cycles.

6. DTC CLEAR CONDITION

- When the OK idling cycle was completed 40 times in a row
- When “Clear Memory” was performed

7. MALFUNCTION INDICATOR LIGHT CLEAR CONDITION

- When the OK driving cycle was completed 3 times in a row
- When “Clear Memory” was performed

8. FAIL SAFE

None

9. ECM OPERATION AT DTC SETTING

Memorize the freeze frame data. (For test mode \$02)

DIAGNOSTIC TROUBLE CODE (DTC) DETECTING CRITERIA

GENERAL DESCRIPTION

BV:DTC P0710 — TRANSMISSION FLUID TEMPERATURE SENSOR CIRCUIT —

1. OUTLINE OF DIAGNOSIS

- Judge NG when the ATF temperature sensor is open, battery short or ground short.
- Judge NG when the ATF sensor is defective.

2. COMPONENT DESCRIPTION

ATF temperature sensor is installed to the hydraulic control valve body of transmission as a unit with transmission harness. This sensor detects ATF temperature and outputs it as electric resistance signal.

3. ENABLE CONDITION

Secondary Parameters	Enable Conditions
None	

4. GENERAL DRIVING CYCLE

Perform the diagnosis continuously.

5. DIAGNOSTIC METHOD

Judgment Value

Malfunction Criteria	Threshold Value
Output voltage	≤ 0.1 V
Output at ≥ 80 km/h (50 MPH) after 5 minutes from reaching more than 4.8 V	≥ 4.7 V

Time Needed for Diagnosis: 63.75 seconds

Malfunction Indicator Light Illumination: Illuminates when malfunction occurs in 2 continuous driving cycles.

6. DTC CLEAR CONDITION

- When the OK idling cycle was completed 40 times in a row
- When "Clear Memory" was performed

7. MALFUNCTION INDICATOR LIGHT CLEAR CONDITION

- When the OK driving cycle was completed 3 times in a row
- When "Clear Memory" was performed

8. FAIL SAFE

Control ATF temperature at a constant temperature 80°C (176°F).

9. ECM OPERATION AT DTC SETTING

Memorize the freeze frame data. (For test mode \$02)

DIAGNOSTIC TROUBLE CODE (DTC) DETECTING CRITERIA

GENERAL DESCRIPTION

BW:DTC P0716 — INPUT/TURBINE SPEED SENSOR CIRCUIT RANGE/PERFORMANCE —

1. OUTLINE OF DIAGNOSIS

Judge NG when the turbine speed signal is not transmitted for some reasons.

2. COMPONENT DESCRIPTION

Torque converter turbine speed sensor (output shaft speed sensor) is installed to the outside of transmission case.

This sensor detects the turbine speed of torque converter by the peripheral speed of high clutch drum connected to input shaft. And then it transmits the sine wave signal (32 pulses per rev.) to TCM. TCM calculates the ratio of the input shaft speed to vehicle speed, and then makes a judgment whether to shift or not.

3. ENABLE CONDITION

Secondary Parameters	Enable Conditions
Engine speed	≥ 1500 rpm
Vehicle speed	≥ 40 km/h (25 MPH)
Range switch	"D", "3", "2" or "1"

4. GENERAL DRIVING CYCLE

Perform the diagnosis continuously after engine start.

5. DIAGNOSTIC METHOD

Perform the diagnosis when the conditions below were continued for 2 seconds.

- (1) Except "P", "N", "R" ranges and inhibitor switch is normal.
- (2) Engine speed is more than 3000 rpm.
- (3) Vehicle speed is 30 km/h (19 MPH) and vehicle speed sensor is normal.
- (4) Turbine speed is more than 600 rpm.

Judgment Value

Malfunction Criteria	Threshold Value
Output from turbine shaft speed	< 600 rpm

Time Needed for Diagnosis: 2 seconds

Malfunction Indicator Light Illumination: Illuminates when malfunction occurs in 2 continuous driving cycles.

6. DTC CLEAR CONDITION

- When the OK idling cycle was completed 40 times in a row
- When "Clear Memory" was performed

7. MALFUNCTION INDICATOR LIGHT CLEAR CONDITION

- When the OK driving cycle was completed 3 times in a row
- When "Clear Memory" was performed

8. FAIL SAFE

None

9. ECM OPERATION AT DTC SETTING

Memorize the freeze frame data. (For test mode \$02)

DIAGNOSTIC TROUBLE CODE (DTC) DETECTING CRITERIA

GENERAL DESCRIPTION

BX:DTC P0720 — OUTPUT SPEED SENSOR CIRCUIT —

1. OUTLINE OF DIAGNOSIS

Judge NG when an abnormal large signal is input to the front vehicle speed sensor, or no signal is input to the rear vehicle speed sensor.

2. COMPONENT DESCRIPTION

This vehicle speed sensor (output shaft speed sensor) is installed to the outside of transmission case. This sensor detects the front wheel speed, and transmits the sine wave signal (16 pulses per rev.) to TCM. TCM converts the signal to pulse signal, and transmits to both of the ECM and the combination meter.

3. ENABLE CONDITION

Secondary Parameters	Enable Conditions
Vehicle speed	≥ 20 km/h (12 MPH)

4. GENERAL DRIVING CYCLE

Perform the diagnosis continuously with more than 20 km/h (12 MPH) vehicle speed.

5. DIAGNOSTIC METHOD

Judgment Value

Malfunction Criteria	Threshold Value
Vehicle speed sensor	
Front	≥ 255 km/h (158 MPH)
Rear	= 0 km/h (0 MPH)
Front vehicle speed sensor (When driving at 20 km/h (12 MPH))	= 0 km/h (0 MPH)

Time Needed for Diagnosis: 63.75 seconds

Malfunction Indicator Light Illumination: Illuminates when malfunction occurs in 2 continuous driving cycles.

6. DTC CLEAR CONDITION

- When the OK idling cycle was completed 40 times in a row
- When "Clear Memory" was performed

7. MALFUNCTION INDICATOR LIGHT CLEAR CONDITION

- When the OK driving cycle was completed 3 times in a row
- When "Clear Memory" was performed

8. FAIL SAFE

- Use the normal vehicle speed sensor signal when either of them is normal.
- Use the vehicle speed calculated from the current gear position and turbine speed when both front and rear wheels are troubled.

9. ECM OPERATION AT DTC SETTING

Memorize the freeze frame data. (For test mode \$02)

DIAGNOSTIC TROUBLE CODE (DTC) DETECTING CRITERIA

GENERAL DESCRIPTION

BY:DTC P0726 — ENGINE SPEED INPUT CIRCUIT RANGE/PERFORMANCE —

1. OUTLINE OF DIAGNOSIS

Judge NG when the engine speed is not input in the status of running the engine.

2. COMPONENT DESCRIPTION

Engine speed sensor is installed to the outside of engine body and crank part. This sensor detects the crank speed, and transmits the sine wave signal (2 pulses per rev.) to TCM.

3. ENABLE CONDITION

Secondary Parameters	Enable Conditions
Output from mass air flow sensor	1.12 — 1.52 V

4. GENERAL DRIVING CYCLE

Perform the diagnosis continuously after engine start.

5. DIAGNOSTIC METHOD

Judgment Value

Malfunction Criteria	Threshold Value
Engine speed	≤ 400 rpm

Time Needed for Diagnosis: 63.75 seconds

Malfunction Indicator Light Illumination: Illuminates when malfunction occurs in 2 continuous driving cycles.

6. DTC CLEAR CONDITION

- When the OK idling cycle was completed 40 times in a row
- When "Clear Memory" was performed

7. MALFUNCTION INDICATOR LIGHT CLEAR CONDITION

- When the OK driving cycle was completed 3 times in a row
- When "Clear Memory" was performed

8. FAIL SAFE

None

9. ECM OPERATION AT DTC SETTING

Memorize the freeze frame data. (For test mode \$02)

DIAGNOSTIC TROUBLE CODE (DTC) DETECTING CRITERIA

GENERAL DESCRIPTION

BZ:DTC P0731 — GEAR 1 INCORRECT RATIO —

1. OUTLINE OF DIAGNOSIS

Judge NG when the expected present gear is different from the actual gear.

2. ENABLE CONDITION

Secondary Parameters	Enable Conditions
Throttle angle	≥ 15°
Vehicle speed	≥ 10 km/h (6 MPH)
Range switch	"D", "3", "2" or "1"
Upshift or downshift events	Not in operation

3. GENERAL DRIVING CYCLE

Perform the diagnosis continuously with less than 10 km/h (6 MPH) vehicle speed.

4. DIAGNOSTIC METHOD

Perform the diagnosis when the conditions below are not completed for more than 40 milliseconds on normal control.

- (1) Vehicle speed is more than 10 km/h (6 MPH).
- (2) Throttle sensor is more than a certain angle.
- (3) Shifted to "D", "3", "2" or "1" range, and range signal is normal.
- (4) More than 1 second passed after shift change finished.

Judgment Value

Malfunction Criteria	Threshold Value
GR / (1st gear ratio) Where, GR = (vehicle speed sensor 1 output) / (turbine shaft speed sensor output)	> 110% or < 90%

Time Needed for Diagnosis: 3 seconds

Malfunction Indicator Light Illumination: Illuminates when malfunction occurs in 2 continuous driving cycles.

5. DTC CLEAR CONDITION

- When the OK idling cycle was completed 40 times in a row
- When "Clear Memory" was performed

6. MALFUNCTION INDICATOR LIGHT CLEAR CONDITION

- When the OK driving cycle was completed 3 times in a row
- When "Clear Memory" was performed

7. FAIL SAFE

None

8. ECM OPERATION AT DTC SETTING

Memorize the freeze frame data. (For test mode \$02)

DIAGNOSTIC TROUBLE CODE (DTC) DETECTING CRITERIA

GENERAL DESCRIPTION

CA:DTC P0732 — GEAR 2 INCORRECT RATIO —

1. OUTLINE OF DIAGNOSIS

Judge NG when the expected present gear is different from the actual gear.

2. ENABLE CONDITION

Secondary Parameters	Enable Conditions
Throttle angle	≥ 15°
Vehicle speed	≥ 10 km/h (6 MPH)
Range switch	"D", "3", "2" or "1"
Upshift or downshift events	Not in operation

3. GENERAL DRIVING CYCLE

Perform the diagnosis continuously with less than 10 km/h (6 MPH) vehicle speed.

4. DIAGNOSTIC METHOD

Perform the diagnosis when the conditions below are not completed for more than 40 milliseconds on normal control.

- (1) Vehicle speed is more than 10 km/h (6 MPH).
- (2) Throttle sensor is more than a certain angle.
- (3) Shifted to "D", "3", "2" or "1" range, and range signal is normal.
- (4) More than 1 second passed after shift change finished.

Judgment Value

Malfunction Criteria	Threshold Value
GR / (2nd gear ratio) Where, GR = (vehicle speed sensor 1 output) / (turbine shaft speed sensor output)	> 110% or < 90%

Time Needed for Diagnosis: 3 seconds

Malfunction Indicator Light Illumination: Illuminates when malfunction occurs in 2 continuous driving cycles.

5. DTC CLEAR CONDITION

- When the OK idling cycle was completed 40 times in a row
- When "Clear Memory" was performed

6. MALFUNCTION INDICATOR LIGHT CLEAR CONDITION

- When the OK driving cycle was completed 3 times in a row
- When "Clear Memory" was performed

7. FAIL SAFE

None

8. ECM OPERATION AT DTC SETTING

Memorize the freeze frame data. (For test mode \$02)

DIAGNOSTIC TROUBLE CODE (DTC) DETECTING CRITERIA

GENERAL DESCRIPTION

CB:DTC P0733 — GEAR 3 INCORRECT RATIO —

1. OUTLINE OF DIAGNOSIS

Judge NG when the expected present gear is different from the actual gear.

2. ENABLE CONDITION

Secondary Parameters	Enable Conditions
Throttle angle	≥ 15°
Vehicle speed	≥ 10 km/h (6 MPH)
Range switch	"D", "3", "2" or "1"
Upshift or downshift events	Not in operation

3. GENERAL DRIVING CYCLE

Perform the diagnosis continuously with less than 10 km/h (6 MPH) vehicle speed.

4. DIAGNOSTIC METHOD

Perform the diagnosis when the conditions below are not completed for more than 40 milliseconds on normal control.

- (1) Vehicle speed is more than 10 km/h (6 MPH).
- (2) Throttle sensor is more than a certain angle.
- (3) Shifted to "D", "3", "2" or "1" range, and range signal is normal.
- (4) More than 1 second passed after shift change finished.

Judgment Value

Malfunction Criteria	Threshold Value
GR / (3rd gear ratio) Where, GR = (vehicle speed sensor 1 output) / (turbine shaft speed sensor output)	> 110% or < 90%

Time Needed for Diagnosis: 3 seconds

Malfunction Indicator Light Illumination: Illuminates when malfunction occurs in 2 continuous driving cycles.

5. DTC CLEAR CONDITION

- When the OK idling cycle was completed 40 times in a row
- When "Clear Memory" was performed

6. MALFUNCTION INDICATOR LIGHT CLEAR CONDITION

- When the OK driving cycle was completed 3 times in a row
- When "Clear Memory" was performed

7. FAIL SAFE

None

8. ECM OPERATION AT DTC SETTING

Memorize the freeze frame data. (For test mode \$02)

DIAGNOSTIC TROUBLE CODE (DTC) DETECTING CRITERIA

GENERAL DESCRIPTION

CC:DTC P0734 — GEAR 4 INCORRECT RATIO —

1. OUTLINE OF DIAGNOSIS

Judge NG when the expected present gear is different from the actual gear.

2. ENABLE CONDITION

Secondary Parameters	Enable Conditions
Throttle angle	≥ 15°
Vehicle speed	≥ 10 km/h (6 MPH)
Range switch	"D", "3", "2" or "1"
Upshift or downshift events	Not in operation

3. GENERAL DRIVING CYCLE

Perform the diagnosis continuously with less than 10 km/h (6 MPH) vehicle speed.

4. DIAGNOSTIC METHOD

Perform the diagnosis when the conditions below are not completed for more than 40 milliseconds on normal control.

- (1) Vehicle speed is more than 10 km/h (6 MPH).
- (2) Throttle sensor is more than a certain angle.
- (3) Shifted to "D", "3", "2" or "1" range, and range signal is normal.
- (4) More than 1 second passed after shift change finished.

Judgment Value

Malfunction Criteria	Threshold Value
GR / (4th gear ratio) Where, GR = (vehicle speed sensor 1 output) / (turbine shaft speed sensor output)	> 110% or < 90%

Time Needed for Diagnosis: 3 seconds

Malfunction Indicator Light Illumination: Illuminates when malfunction occurs in 2 continuous driving cycles.

5. DTC CLEAR CONDITION

- When the OK idling cycle was completed 40 times in a row
- When "Clear Memory" was performed

6. MALFUNCTION INDICATOR LIGHT CLEAR CONDITION

- When the OK driving cycle was completed 3 times in a row
- When "Clear Memory" was performed

7. FAIL SAFE

None

8. ECM OPERATION AT DTC SETTING

Memorize the freeze frame data. (For test mode \$02)

DIAGNOSTIC TROUBLE CODE (DTC) DETECTING CRITERIA

GENERAL DESCRIPTION

CD:DTC P0741 — TORQUE CONVERTER CLUTCH CIRCUIT PERFORMANCE OR STUCK OFF —

1. OUTLINE OF DIAGNOSIS

Judge NG when the engine speed is different from the turbine speed for some reasons at AT lock-up.

2. ENABLE CONDITION

Secondary Parameters	Enable Conditions
In 4th gear position, duty ratio for duty solenoid valve	$\geq 90\%$

3. GENERAL DRIVING CYCLE

Perform the diagnosis continuously after idling.

4. DIAGNOSTIC METHOD

Judgment Value

Malfunction Criteria	Threshold Value
Engine speed \geq (output shaft speed \times 4th gear ratio $\times 9/8$)	

Time Needed for Diagnosis: 10.2 seconds

Malfunction Indicator Light Illumination: Illuminates when malfunction occurs in 2 continuous driving cycles.

5. DTC CLEAR CONDITION

- When the OK idling cycle was completed 40 times in a row
- When "Clear Memory" was performed

6. MALFUNCTION INDICATOR LIGHT CLEAR CONDITION

- When the OK driving cycle was completed 3 times in a row
- When "Clear Memory" was performed

7. FAIL SAFE

Not allowed to lock up.

8. ECM OPERATION AT DTC SETTING

Memorize the freeze frame data. (For test mode \$02)

DIAGNOSTIC TROUBLE CODE (DTC) DETECTING CRITERIA

GENERAL DESCRIPTION

CE:DTC P0743 — TORQUE CONVERTER CLUTCH CIRCUIT ELECTRICAL —

1. OUTLINE OF DIAGNOSIS

Judge NG when the lock-up duty solenoid becomes battery short, ground short or open circuit.

2. COMPONENT DESCRIPTION

Lock-up duty solenoid is installed to the transmission hydraulic control valve body. The duty ratio is controlled by the signal from TCM. This allows the lock-up clutch to be connected or released smoothly by controlling the lock-up control valve.

3. ENABLE CONDITION

Secondary Parameters	Enable Conditions
None	

4. GENERAL DRIVING CYCLE

Perform the diagnosis continuously.

5. DIAGNOSTIC METHOD

Judgment Value

Malfunction Criteria	Threshold Value
Vc at "ON" signal from ECM	Low level
Vc at "OFF" signal from ECM	High level

Time Needed for Diagnosis: 0.14 seconds

Malfunction Indicator Light Illumination: Illuminates when malfunction occurs in 2 continuous driving cycles.

6. DTC CLEAR CONDITION

- When the OK idling cycle was completed 40 times in a row
- When "Clear Memory" was performed

7. MALFUNCTION INDICATOR LIGHT CLEAR CONDITION

- When the OK driving cycle was completed 3 times in a row
- When "Clear Memory" was performed

8. FAIL SAFE

None

9. ECM OPERATION AT DTC SETTING

Memorize the freeze frame data. (For test mode \$02)

DIAGNOSTIC TROUBLE CODE (DTC) DETECTING CRITERIA

GENERAL DESCRIPTION

CF:DTC P0748 — PRESSURE CONTROL SOLENOID “A” ELECTRICAL —

1. OUTLINE OF DIAGNOSIS

Judge NG when the line pressure duty solenoid becomes battery short, ground short or open circuit.

2. COMPONENT DESCRIPTION

Line pressure duty solenoid is installed to the transmission hydraulic control valve body. The duty ratio is controlled by the signal from TCM. This allows controlling the pressure modifier valve and accumulator control valve A, and allows the line pressure to be adjusted to the pressure appropriate for driving condition.

3. ENABLE CONDITION

Secondary Parameters	Enable Conditions
None	

4. GENERAL DRIVING CYCLE

Perform the diagnosis continuously.

5. DIAGNOSTIC METHOD

Judgment Value

Malfunction Criteria	Threshold Value
Vc at “ON” signal from ECM	Low
Vc at “OFF” signal from ECM	High

Time Needed for Diagnosis: 0.14 seconds

Malfunction Indicator Light Illumination: Illuminates when malfunction occurs in 2 continuous driving cycles.

6. DTC CLEAR CONDITION

- When the OK idling cycle was completed 40 times in a row
- When “Clear Memory” was performed

7. MALFUNCTION INDICATOR LIGHT CLEAR CONDITION

- When the OK driving cycle was completed 3 times in a row
- When “Clear Memory” was performed

8. FAIL SAFE

Control the shift to be fixed in 3rd gear.

9. ECM OPERATION AT DTC SETTING

Memorize the freeze frame data. (For test mode \$02)

DIAGNOSTIC TROUBLE CODE (DTC) DETECTING CRITERIA

GENERAL DESCRIPTION

CG:DTC P0753 — SHIFT SOLENOID “A” ELECTRICAL —

1. OUTLINE OF DIAGNOSIS

Judge NG when the shift solenoid 1 becomes battery short, ground short or open circuit.

2. COMPONENT DESCRIPTION

Shift solenoid 1

Shift solenoid is installed to the transmission hydraulic control valve body. This solenoid is switched on or off by the signal from TCM. Gear positions will change depending on the solenoid condition which is ON or OFF.

3. ENABLE CONDITION

Secondary Parameters	Enable Conditions
None	

4. GENERAL DRIVING CYCLE

Perform the diagnosis continuously.

5. DIAGNOSTIC METHOD

Judgment Value

Malfunction Criteria	Threshold Value
Collector voltage of transistor (Vc) for solenoid valve is inconsistent with signal from ECM	

Time Needed for Diagnosis: 30 milliseconds

Malfunction Indicator Light Illumination: Illuminates when malfunction occurs in 2 continuous driving cycles.

6. DTC CLEAR CONDITION

- When the OK idling cycle was completed 40 times in a row
- When “Clear Memory” was performed

7. MALFUNCTION INDICATOR LIGHT CLEAR CONDITION

- When the OK driving cycle was completed 3 times in a row
- When “Clear Memory” was performed

8. FAIL SAFE

Control the shift to be fixed in 3rd gear.

9. ECM OPERATION AT DTC SETTING

Memorize the freeze frame data. (For test mode \$02)

DIAGNOSTIC TROUBLE CODE (DTC) DETECTING CRITERIA

GENERAL DESCRIPTION

CH:DTC P0758 — SHIFT SOLENOID “B” ELECTRICAL —

1. OUTLINE OF DIAGNOSIS

Judge NG when the shift solenoid 2 becomes battery short, ground short or open circuit.

2. COMPONENT DESCRIPTION

Shift solenoid 2

Shift solenoid is installed to the transmission hydraulic control valve body. This solenoid is switched on or off by the signal from TCM. Gear positions will change depending on the solenoid condition which is ON or OFF.

3. ENABLE CONDITION

Secondary Parameters	Enable Conditions
None	

4. GENERAL DRIVING CYCLE

Perform the diagnosis continuously.

5. DIAGNOSTIC METHOD

Judgment Value

Malfunction Criteria	Threshold Value
Vc for solenoid valve is inconsistent with signal from ECM	

Time Needed for Diagnosis: 30 milliseconds

Malfunction Indicator Light Illumination: Illuminates when malfunction occurs in 2 continuous driving cycles.

6. DTC CLEAR CONDITION

- When the OK idling cycle was completed 40 times in a row
- When “Clear Memory” was performed

7. MALFUNCTION INDICATOR LIGHT CLEAR CONDITION

- When the OK driving cycle was completed 3 times in a row
- When “Clear Memory” was performed

8. FAIL SAFE

Control the shift to be fixed in 3rd gear.

9. ECM OPERATION AT DTC SETTING

Memorize the freeze frame data. (For test mode \$02)

DIAGNOSTIC TROUBLE CODE (DTC) DETECTING CRITERIA

GENERAL DESCRIPTION

CI: DTC P0771 — SHIFT SOLENOID “E” PERFORMANCE OR STUCK OFF —

1. OUTLINE OF DIAGNOSIS

Judge NG when the low clutch timing solenoid becomes battery short, ground short or open circuit.

2. COMPONENT DESCRIPTION

Low clutch timing solenoid

Low clutch timing solenoid is installed to the transmission hydraulic control valve body. This solenoid is switched on or off by the signal from TCM. This allows controlling the low clutch timing valve B and reverse inhibitor valve.

3. ENABLE CONDITION

Secondary Parameters	Enable Conditions
None	

4. GENERAL DRIVING CYCLE

Perform the diagnosis continuously.

5. DIAGNOSTIC METHOD

Judgment Value

Malfunction Criteria	Threshold Value
Vc at “ON” signal from ECM	Low level
Vc at “OFF” signal from ECM	High level

Time Needed for Diagnosis: 30 milliseconds

Malfunction Indicator Light Illumination: Illuminates when malfunction occurs in 2 continuous driving cycles.

6. DTC CLEAR CONDITION

- When the OK idling cycle was completed 40 times in a row
- When “Clear Memory” was performed

7. MALFUNCTION INDICATOR LIGHT CLEAR CONDITION

- When the OK driving cycle was completed 3 times in a row
- When “Clear Memory” was performed

8. FAIL SAFE

None

9. ECM OPERATION AT DTC SETTING

Memorize the freeze frame data. (For test mode \$02)

DIAGNOSTIC TROUBLE CODE (DTC) DETECTING CRITERIA

GENERAL DESCRIPTION

CJ:DTC P0778 — PRESSURE CONTROL SOLENOID “B” ELECTRICAL —

1. OUTLINE OF DIAGNOSIS

Judge NG when the 2-4 brake duty solenoid becomes battery short, ground short or open circuit.

2. COMPONENT DESCRIPTION

2-4 brake duty solenoid is installed to the transmission hydraulic control valve body. The duty ratio is controlled by the signal from TCM. This solenoid decreases the change gear shock by adjusting the 2-4 brake pressure during 2-4 brake operation.

3. ENABLE CONDITION

Secondary Parameters	Enable Conditions
None	

4. GENERAL DRIVING CYCLE

Perform the diagnosis continuously.

5. DIAGNOSTIC METHOD

Judgment Value

Malfunction Criteria	Threshold Value
Vc at “ON” signal from ECM	Low level
Vc at “OFF” signal from ECM	High level

Time Needed for Diagnosis: 0.14 seconds

Malfunction Indicator Light Illumination: Illuminates when malfunction occurs in 2 continuous driving cycles.

6. DTC CLEAR CONDITION

- When the OK idling cycle was completed 40 times in a row
- When “Clear Memory” was performed

7. MALFUNCTION INDICATOR LIGHT CLEAR CONDITION

- When the OK driving cycle was completed 3 times in a row
- When “Clear Memory” was performed

8. FAIL SAFE

Control the shift to be fixed in 3rd gear.

9. ECM OPERATION AT DTC SETTING

Memorize the freeze frame data. (For test mode \$02)

DIAGNOSTIC TROUBLE CODE (DTC) DETECTING CRITERIA

GENERAL DESCRIPTION

CK:DTC P0785 — SHIFT/TIMING SOLENOID —

1. OUTLINE OF DIAGNOSIS

Judge NG when the 2-4 brake timing solenoid becomes battery short, ground short or open circuit.

2. COMPONENT DESCRIPTION

2-4 brake timing solenoid is installed to the transmission hydraulic control valve body. This solenoid is switched on or off by the signal from TCM. This allows controlling the 2-4 brake timing valve B and decreases the change gear shock.

3. ENABLE CONDITION

Secondary Parameters	Enable Conditions
None	

4. GENERAL DRIVING CYCLE

Perform the diagnosis continuously.

5. DIAGNOSTIC METHOD

Judgment Value

Malfunction Criteria	Threshold Value
Vc at "ON" signal from ECM	Low level
Vc at "OFF" signal from ECM	High level

Time Needed for Diagnosis: 30 milliseconds

Malfunction Indicator Light Illumination: Illuminates when malfunction occurs in 2 continuous driving cycles.

6. DTC CLEAR CONDITION

- When the OK idling cycle was completed 40 times in a row
- When "Clear Memory" was performed

7. MALFUNCTION INDICATOR LIGHT CLEAR CONDITION

- When the OK driving cycle was completed 3 times in a row
- When "Clear Memory" was performed

8. FAIL SAFE

None

9. ECM OPERATION AT DTC SETTING

Memorize the freeze frame data. (For test mode \$02)

DIAGNOSTIC TROUBLE CODE (DTC) DETECTING CRITERIA

GENERAL DESCRIPTION

CL:DTC P0851 — NEUTRAL SWITCH INPUT CIRCUIT LOW —

1. OUTLINE OF DIAGNOSIS

- Detect the open/short circuit of neutral switch.
- AT: Judge NG when ECM neutral terminal input is different from reception data from TCM.
- MT: Judge NG when the neutral switch does not respond even though shift lever is changed (neutral switch is turned on or off by vehicle and engine speed).

2. ENABLE CONDITION

Secondary Parameters	Enable Conditions
After engine starting	1 second or more
Starter switch	OFF
Battery voltage	≥ 8 V

3. GENERAL DRIVING CYCLE

Perform the diagnosis continuously after starting the engine.

4. DIAGNOSTIC METHOD

• Abnormality Judgment

AT: Judge NG when the continuous number of times until completing the malfunction criteria below becomes more than number of times needed for diagnosis (10 times).

Judgment Value

Malfunction Criteria	Threshold Value
Switch signal	ON (Low)
“P” range / “N” range on AT	OFF
Any other switches on AT	ON

• Normality Judgment

AT: Judge OK and clear the NG when the malfunction criteria below are completed.

Judgment Value

Malfunction Criteria	Threshold Value
Switch signal	OFF (High)
“P” range / “N” range on AT	OFF
Any other switches on AT	ON

MT: Judge NG when the number of times until completing the malfunction criteria below continue 3 times in a row, judge OK when turning to OFF or ON.

Judgment Value

Malfunction Criteria	Threshold Value
Neutral switch on MT	While changing a) to b) SW OFF (Low)
Driving condition change	
a) Vehicle speed = 0 km/h (0 MPH) & engine speed 600 — 900 rpm	
b) Vehicle speed 64 — 106 km/h (40 — 66 MPH) & engine speed 1600 — 2550 rpm	

Time Needed for Diagnosis:

- Normal reception from AT is 5 times
- 3 monitoring on MT

Malfunction Indicator Light Illumination: Illuminates when malfunction occurs in 2 continuous driving cycles.

5. DTC CLEAR CONDITION

- When the OK idling cycle is completed 40 times in a row
- When “Clear Memory” was performed

GD(H4SO)-189

DIAGNOSTIC TROUBLE CODE (DTC) DETECTING CRITERIA

GENERAL DESCRIPTION

6. MALFUNCTION INDICATOR LIGHT CLEAR CONDITION

- When the OK driving cycle was completed 3 times in a row
- When "Clear Memory" was performed

7. FAIL SAFE

None

8. ECM OPERATION AT DTC

Memorize the freeze frame data. (For test mode \$02)

DIAGNOSTIC TROUBLE CODE (DTC) DETECTING CRITERIA

GENERAL DESCRIPTION

CM:DTC P0852 — NEUTRAL SWITCH INPUT CIRCUIT HIGH —

1. OUTLINE OF DIAGNOSIS

- Detect the open/short circuit of neutral switch.
- AT: Judge NG when ECM neutral terminal input is different from reception data from TCM.
- MT: Judge NG when the neutral switch does not respond even though shift lever is changed (neutral switch is turned on or off by vehicle and engine speed).

2. ENABLE CONDITION

Secondary Parameters	Enable Conditions
After engine starting	1 second or more
Starter switch	Turn off
Battery voltage	≥ 8 V

3. GENERAL DRIVING CYCLE

Perform the diagnosis continuously after starting the engine.

4. DIAGNOSTIC METHOD

• Abnormality Judgement

AT: Judge NG when the continuous number of times until completing the malfunction criteria below becomes more than number of times needed for diagnosis (10 times).

Judgment Value

Malfunction Criteria	Threshold Value
Switch signal	OFF (High)
“P” range / “N” range on AT	ON
Any other switches on AT	OFF

• Normality Judgment

AT: Judge OK and clear the NG when the malfunction criteria below are completed.

Judgment Value

Malfunction Criteria	Threshold Value
Switch signal	ON (Low)
“P” range / “N” range on AT	ON
Any other switches on AT	OFF

MT: Judge NG when the number of times until completing the malfunction criteria below continue 3 times in a row, judge OK when turning to OFF or ON.

Judgment Value

Malfunction Criteria	Threshold Value
Neutral switch on MT	While changing a) to b) SW OFF (High)
Driving condition change	
a) Vehicle speed = 0 km/h (0 MPH) & engine speed 600 — 900 rpm	
b) Vehicle speed 64 — 106 km/h (40 — 66 MPH) & engine speed 1600 — 2550 rpm	

Time Needed for Diagnosis:

- Normal reception from AT is 10 times
- 3 monitoring on MT

Malfunction Indicator Light Illumination: Illuminates when malfunction occurs in 2 continuous driving cycles.

5. DTC CLEAR CONDITION

- When the OK idling cycle is completed 40 times in a row
- When “Clear Memory” was performed

GD(H4SO)-191

DIAGNOSTIC TROUBLE CODE (DTC) DETECTING CRITERIA

GENERAL DESCRIPTION

6. MALFUNCTION INDICATOR LIGHT CLEAR CONDITION

- When the OK driving cycle was completed 3 times in a row
- When "Clear Memory" was performed

7. FAIL SAFE

None

8. ECM OPERATION AT DTC

Memorize the freeze frame data. (For test mode \$02)

DIAGNOSTIC TROUBLE CODE (DTC) DETECTING CRITERIA

GENERAL DESCRIPTION

CN:DTC P0864 — TCM COMMUNICATION CIRCUIT RANGE/PERFORMANCE —

1. OUTLINE OF DIAGNOSIS

- Detect the communication malfunction of AT diagnosis.
- Judge NG when the communication format does not correspond.

2. ENABLE CONDITION

Secondary Parameters	Enable Conditions
Battery voltage	≥ 8.0 V
Engine speed	≥ 500 rpm

3. GENERAL DRIVING CYCLE

Perform the diagnosis continuously after starting the engine.

4. DIAGNOSTIC METHOD

Judge NG when the continuous time communication format does not correspond continued for time needed for diagnosis. Judge OK and clear the NG when the communication format corresponds.

Judgment Value

Malfunction Criteria	Threshold Value
Incorrect pattern in wiring harness for communication	≥ 60 seconds

Time Needed for Diagnosis: 60 seconds

Malfunction Indicator Light Illumination: Illuminates when malfunction occurs in 2 continuous driving cycles.

5. DTC CLEAR CONDITION

- When the OK idling cycle is completed 40 times in a row
- When "Clear Memory" was performed

6. MALFUNCTION INDICATOR LIGHT CLEAR CONDITION

- When the OK driving cycle was completed 3 times in a row
- When "Clear Memory" was performed

7. FAIL SAFE

None

8. ECM OPERATION AT DTC

Memorize the freeze frame data. (For test mode \$02)

DIAGNOSTIC TROUBLE CODE (DTC) DETECTING CRITERIA

GENERAL DESCRIPTION

CO:DTC P0865 — TCM COMMUNICATION CIRCUIT LOW —

1. OUTLINE OF DIAGNOSIS

- Detect the open/short circuit of AT diagnosis line.
- Judge NG when the signal remains Low.

2. ENABLE CONDITION

Secondary Parameters	Enable Conditions
Battery voltage	≥ 8.0 V
Engine speed	≥ 500 rpm

3. GENERAL DRIVING CYCLE

Perform the diagnosis continuously after starting the engine.

4. DIAGNOSTIC METHOD

Judge NG when the malfunction criteria below are completed. Judge OK and clear the NG when the signal is turned over.

Judgment Value

Malfunction Criteria	Threshold Value
Continuous signal line is Low	≥ 3 seconds

Time Needed for Diagnosis: 3 seconds

Malfunction Indicator Light Illumination: Illuminates when malfunction occurs in 2 continuous driving cycles.

5. DTC CLEAR CONDITION

- When the OK idling cycle is completed 40 times in a row
- When "Clear Memory" was performed

6. MALFUNCTION INDICATOR LIGHT CLEAR CONDITION

- When the OK driving cycle was completed 3 times in a row
- When "Clear Memory" was performed

7. FAIL SAFE

None

8. ECM OPERATION AT DTC

Memorize the freeze frame data. (For test mode \$02)

DIAGNOSTIC TROUBLE CODE (DTC) DETECTING CRITERIA

GENERAL DESCRIPTION

CP:DTC P0866 — TCM COMMUNICATION CIRCUIT HIGH —

1. OUTLINE OF DIAGNOSIS

- Detect the open/short circuit of AT diagnosis line.
- Judge NG when the signal remains High.

2. ENABLE CONDITION

Secondary Parameters	Enable Conditions
Battery voltage	≥ 8.0 V
Engine speed	≥ 500 rpm

3. GENERAL DRIVING CYCLE

Perform the diagnosis continuously after starting the engine.

4. DIAGNOSTIC METHOD

Judge NG when the malfunction criteria below are completed. Judge OK and clear the NG when the signal is turned over.

Judgment Value

Malfunction Criteria	Threshold Value
Continuous signal line is High	≥ 3 seconds

Time Needed for Diagnosis: 3 seconds

Malfunction Indicator Light Illumination: Illuminates when malfunction occurs in 2 continuous driving cycles.

5. DTC CLEAR CONDITION

- When the OK idling cycle is completed 40 times in a row
- When "Clear Memory" was performed

6. MALFUNCTION INDICATOR LIGHT CLEAR CONDITION

- When the OK driving cycle was completed 3 times in a row
- When "Clear Memory" was performed

7. FAIL SAFE

None

8. ECM OPERATION AT DTC

Memorize the freeze frame data. (For test mode \$02)

DIAGNOSTIC TROUBLE CODE (DTC) DETECTING CRITERIA

GENERAL DESCRIPTION

CQ:DTC P1110 — ATMOSPHERIC PRESSURE SENSOR CIRCUIT MALFUNCTION (LOW INPUT) —

1. OUTLINE OF DIAGNOSIS

- Detect the open/short circuit of atmospheric pressure sensor.
- Judge NG when out of the standard value.

2. COMPONENT DESCRIPTION

Atmospheric pressure sensor is built in ECM.

3. ENABLE CONDITION

Secondary Parameters	Enable Conditions
Engine speed	≥ 500 rpm
Battery voltage	≥ 10 V
Timer after starting the engine	≥ 2 seconds

4. GENERAL DRIVING CYCLE

Perform the diagnosis continuously in 2 seconds after starting the engine.

5. DIAGNOSTIC METHOD

Judge NG when the continuous time until completing the malfunction criteria below becomes more than the time (2.5 seconds) needed for diagnosis. Judge fail safe NG when the continuous time until completing the malfunction criteria below becomes more than the time (0.1 seconds) needed for diagnosis. Judge OK and clear the NG when the malfunction criteria below are not completed.

Judgment Value

Malfunction Criteria	Threshold Value
Output voltage	≤ 0.755 V

Time Needed for Diagnosis: 2.5 seconds

Malfunction Indicator Light Illumination: Illuminates as soon as malfunction occurs.

6. DTC CLEAR CONDITION

- When the OK idling cycle is completed 40 times in a row
- When "Clear Memory" was performed

7. MALFUNCTION INDICATOR LIGHT CLEAR CONDITION

- When the OK driving cycle is completed 3 times in a row
- When "Clear Memory" was performed

8. FAIL SAFE

Make the atmospheric pressure 101 kPa (760 mmHg, 29.9 inHg).

9. ECM OPERATION AT DTC SETTING

Memorize the freeze frame data. (For test mode \$02)

DIAGNOSTIC TROUBLE CODE (DTC) DETECTING CRITERIA

GENERAL DESCRIPTION

CR:DTC P1111 — ATMOSPHERIC PRESSURE SENSOR CIRCUIT MALFUNCTION (HIGH INPUT) —

1. OUTLINE OF DIAGNOSIS

- Detect the open/short circuit of atmospheric pressure sensor.
- Judge NG when out of the standard value.

2. COMPONENT DESCRIPTION

Atmospheric pressure sensor is built in ECM.

3. ENABLE CONDITION

Secondary Parameters	Enable Conditions
Engine speed	≥ 500 rpm
Battery voltage	≥ 10 V
Timer after starting the engine	≥ 2 seconds

4. GENERAL DRIVING CYCLE

Perform the diagnosis continuously in 2 seconds after starting the engine.

5. DIAGNOSTIC METHOD

Judge NG when the continuous time until completing the malfunction criteria below becomes more than the time (2.5 seconds) needed for diagnosis. Judge fail safe NG when the cumulative time until completing the malfunction criteria below becomes more than the time (0.1 seconds) needed for diagnosis. Judge OK and clear the NG when the malfunction criteria below are not completed.

Judgment Value

Malfunction Criteria	Threshold Value
Output voltage	≥ 5.06 V

Time Needed for Diagnosis: 2.5 seconds

Malfunction Indicator Light Illumination: Illuminates as soon as malfunction occurs.

6. DTC CLEAR CONDITION

- When the OK idling cycle is completed 40 times in a row
- When "Clear Memory" was performed

7. MALFUNCTION INDICATOR LIGHT CLEAR CONDITION

- When the OK driving cycle is completed 3 times in a row
- When "Clear Memory" was performed

8. FAIL SAFE

Make the atmospheric pressure 101 kPa (760 mmHg, 29.9 inHg).

9. ECM OPERATION AT DTC SETTING

Memorize the freeze frame data. (For test mode \$02)

DIAGNOSTIC TROUBLE CODE (DTC) DETECTING CRITERIA

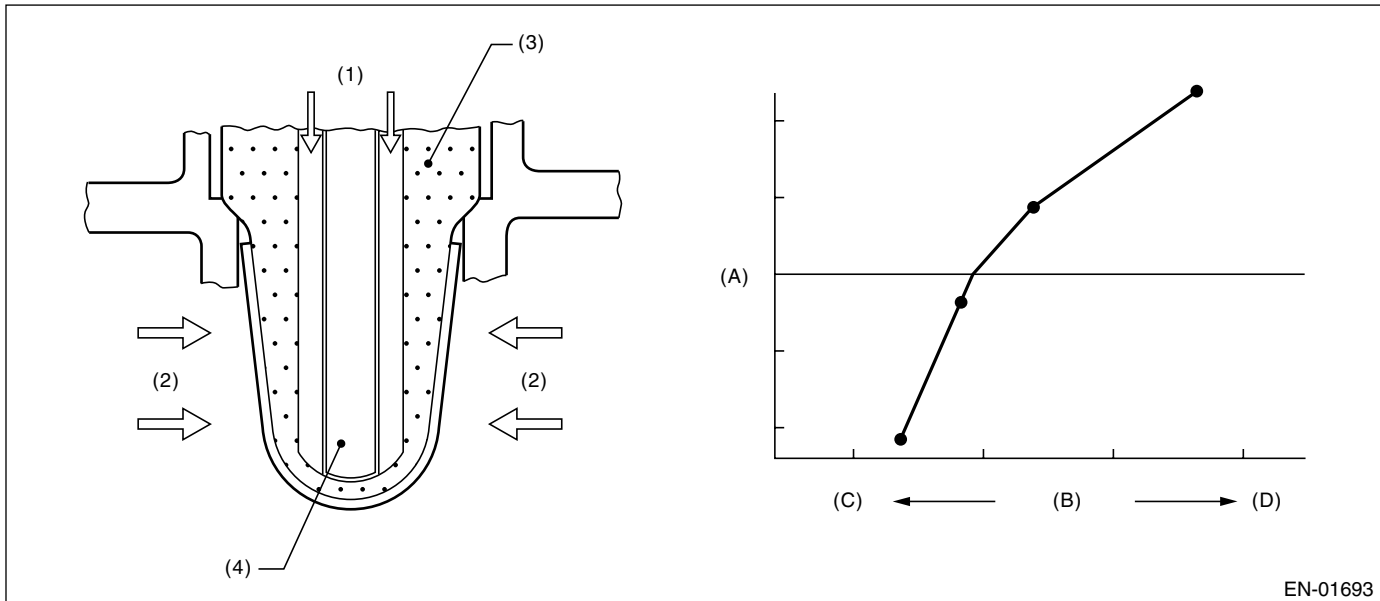
GENERAL DESCRIPTION

CS:DTC P1134 — A/F SENSOR MICRO-COMPUTER PROBLEM —

1. OUTLINE OF DIAGNOSIS

- Detect the malfunction of IC communication.
- Judge NG when the communication to front oxygen (A/F) sensor control IC is unable.

2. COMPONENT DESCRIPTION



- (1) Atmospheric air
- (2) Exhaust gas
- (3) ZrO_2
- (4) Ceramic heater

- (A) Electromotive force
- (B) Air fuel ratio
- (C) Lean
- (D) Rich

3. ENABLE CONDITION

Secondary Parameters	Enable Conditions
Air fuel ratio feed back control OR; air fuel ratio feed back control	During OPEN LOOP During CLOSED LOOP AND; not during clamp except A/F sensor voltage clamp OR; A/F fudge factor is 0.7 — 1.375.
Misfire rate during 200 engine revs.	$\leq 1.0\%$
Battery voltage	≥ 10.9 V
After engine starting	≥ 140 seconds

4. GENERAL DRIVING CYCLE

Perform the diagnosis continuously in 140 seconds after starting the engine.

DIAGNOSTIC TROUBLE CODE (DTC) DETECTING CRITERIA

GENERAL DESCRIPTION

5. DIAGNOSTIC METHOD

• Abnormality Judgment

Judge NG when the malfunction criteria below are completed.

Judgment Value

Malfunction Criteria	Threshold Value
Communication error to main CPU	≥ 250 times

• Normality Judgment

Judge OK and clear the NG when the malfunction criteria below are completed.

Judgment Value

Malfunction Criteria	Threshold Value
Error	None

Time Needed for Diagnosis: 12.5 seconds

Malfunction Indicator Light Illumination: Illuminates as soon as malfunction occurs.

6. DTC CLEAR CONDITION

- When the OK idling cycle is completed 40 times in a row
- When "Clear Memory" was performed

7. MALFUNCTION INDICATOR LIGHT CLEAR CONDITION

- When the OK driving cycle is completed 3 times in a row
- When "Clear Memory" was performed

8. FAIL SAFE

None

9. ECM OPERATION AT DTC SETTING

Memorize the freeze frame data. (For test mode \$02)

DIAGNOSTIC TROUBLE CODE (DTC) DETECTING CRITERIA

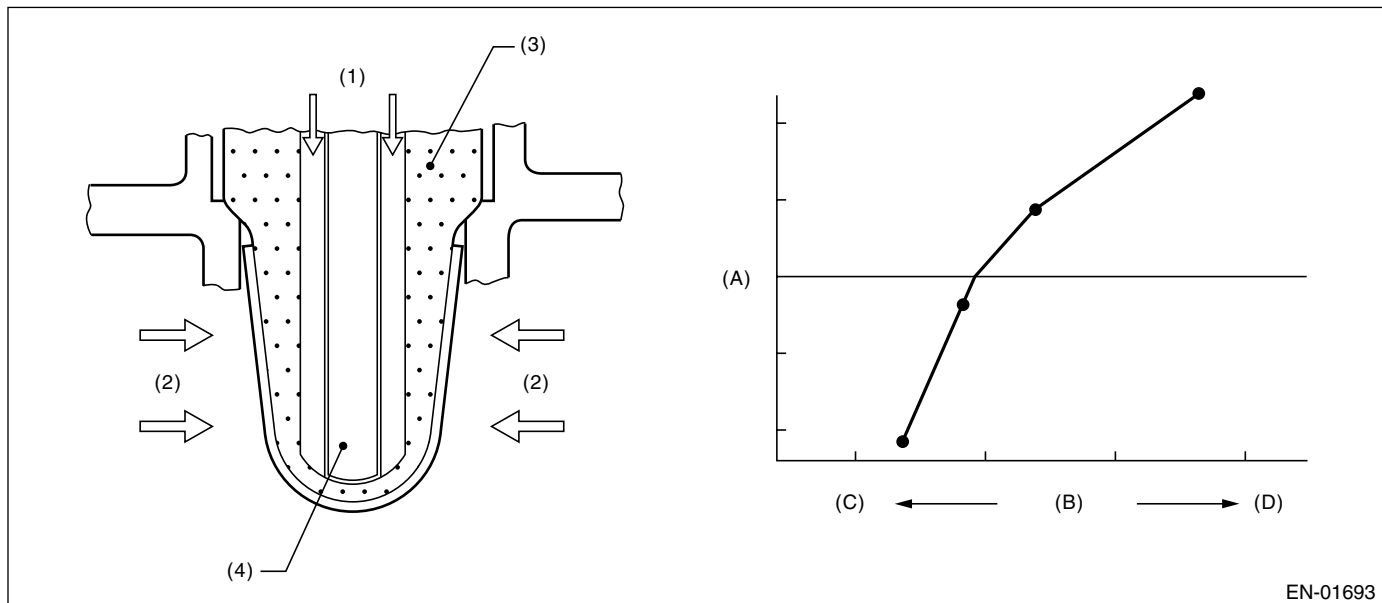
GENERAL DESCRIPTION

CT:DTC P1137 — O₂ SENSOR CIRCUIT LOW VOLTAGE (BANK 1 SENSOR 2) — Middle Electric Potential

1. OUTLINE OF DIAGNOSIS

- Detect the output property malfunction of from oxygen (A/F) sensor.
- Judge NG when output voltage does not move to lean side or rich side.

2. COMPONENT DESCRIPTION



- (1) Atmosphere
- (2) Exhaust gas
- (3) ZrO₂
- (4) Ceramic rotor

- (A) Electromotive force
- (B) Air fuel ratio
- (C) Lean
- (D) Rich

3. ENABLE CONDITION

Secondary Parameter	Enable Conditions
Middle electric potential malfunction	Incomplete
A/F sensor response diagnosis	Under diagnosis

4. GENERAL DRIVING CYCLE

Perform the diagnosis just once in 225 seconds or more after starting the engine constantly at 80 km/h (50 MPH) of vehicle speed (Same as A/F sensor response diagnosis).

DIAGNOSTIC TROUBLE CODE (DTC) DETECTING CRITERIA

GENERAL DESCRIPTION

5. DIAGNOSTIC METHOD

• Abnormality Judgment

Judge NG when one of the malfunction criteria below is completed.

Judgment Value

Malfunction Criteria	Threshold Value
Continuous time of output voltage > 2.065 V ($\lambda = 0.98$)	3.4 seconds or more
Continuous time of output voltage < 2.180 V ($\lambda = 1.0$)	3.4 seconds or more

Time needed for diagnosis: 3.4 seconds

Malfunction Indicator Light Illumination: Illuminates as soon as malfunction occurs.

Time Needed for Diagnosis: 0.2 seconds

Malfunction Indicator Light Illumination: Illuminates as soon as malfunction occurs.

• Normality Judgment

Judge OK when all the malfunction criteria below are completed.

Judgment Value

Malfunction Criteria	Threshold Value
Cumulative time of output voltage \leq 2.065 V	0.2 seconds or more
Cumulative time of output voltage \geq 2.180 V	0.2 seconds or more

6. DTC CLEAR CONDITION

- When the OK idling cycle was completed 40 times in a row
- When "Clear Memory" was performed

7. MALFUNCTION INDICATOR LIGHT CLEAR CONDITION

- When the OK driving cycle was completed 3 times in a row
- When "Clear Memory" was performed

8. FAIL SAFE

None

9. ECM OPERATION AT DTC SETTING

- Memorize the freeze frame data. (For test mode \$02)
- Memorize the diagnostic value and trouble standard value. (For test mode \$06)

DIAGNOSTIC TROUBLE CODE (DTC) DETECTING CRITERIA

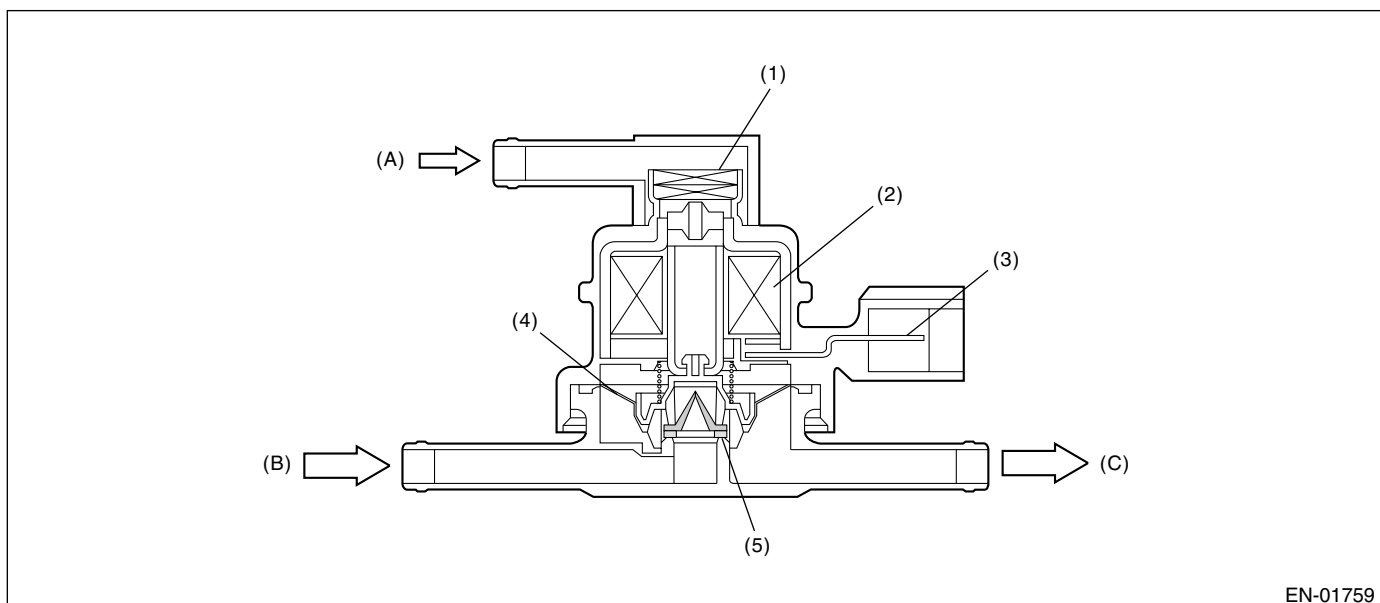
GENERAL DESCRIPTION

CU:DTC P1400 — FUEL TANK PRESSURE CONTROL SOLENOID VALVE CIRCUIT LOW —

1. OUTLINE OF DIAGNOSIS

- Detect the open/short circuit of pressure control solenoid valve.
- Judge NG when ECM output level is different from actual terminal level.

2. COMPONENT DESCRIPTION



- | | |
|------------------------|--------------------------|
| (1) Filter | (A) Atmospheric pressure |
| (2) Coil | (B) Shut-off valve |
| (3) Connector terminal | (C) To fuel tank |
| (4) Diaphragm | |
| (5) Valve | |

3. ENABLE CONDITION

Secondary Parameters	Enable Conditions
Engine speed	≥ 500 rpm
Battery voltage	≥ 8 V
After engine starting	1 second or more
Ignition switch	ON

4. GENERAL DRIVING CYCLE

Perform the diagnosis continuously after starting the engine.

DIAGNOSTIC TROUBLE CODE (DTC) DETECTING CRITERIA

GENERAL DESCRIPTION

5. DIAGNOSTIC METHOD

• Abnormality Judgment

Judge NG when the continuous time until completing the malfunction criteria below becomes more than time needed for diagnosis (2.5 seconds).

Judgment Value

Malfunction Criteria	Threshold Value
Terminal voltage when ECM outputs OFF signal	Low

Time Needed for Diagnosis: 2.5 seconds

Malfunction Indicator Light Illumination: Illuminates when malfunction occurs in 2 continuous driving cycles.

• Normality Judgment

Judge OK and clear the NG when the malfunction criteria below are completed.

Judgment Value

Malfunction Criteria	Threshold Value
Terminal voltage when ECM outputs OFF signal	High

6. DTC CLEAR CONDITION

- When the OK idling cycle is completed 40 times in a row
- When "Clear Memory" was performed

7. MALFUNCTION INDICATOR LIGHT CLEAR CONDITION

- When the OK driving cycle was completed 3 times in a row
- When "Clear Memory" was performed

8. FAIL SAFE

None

9. ECM OPERATION AT DTC

Memorize the freeze frame data. (For test mode \$02)

DIAGNOSTIC TROUBLE CODE (DTC) DETECTING CRITERIA

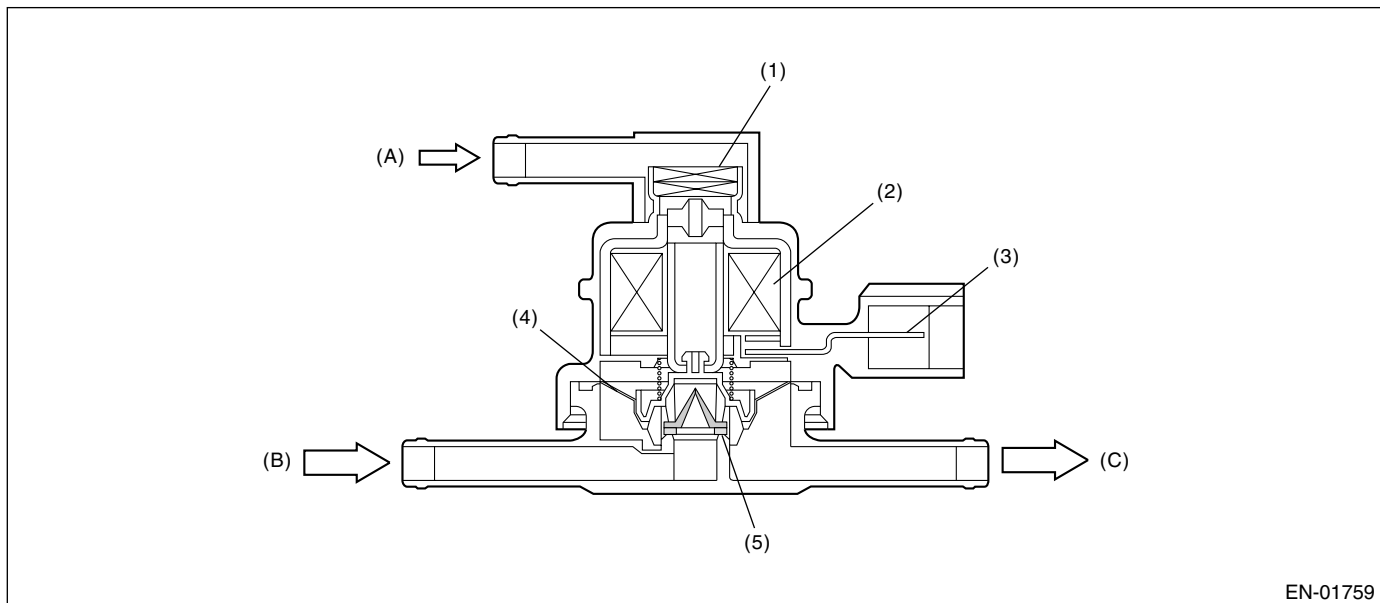
GENERAL DESCRIPTION

CV:DTC P1420 — FUEL TANK PRESSURE CONTROL SOL. VALVE CIRCUIT HIGH —

1. OUTLINE OF DIAGNOSIS

- Detect the open/short circuit of pressure control solenoid valve.
- Judge NG when ECM output level is different from actual terminal level.

2. COMPONENT DESCRIPTION



- | | |
|------------------------|--------------------------|
| (1) Filter | (A) Atmospheric pressure |
| (2) Coil | (B) Shut-off valve |
| (3) Connector terminal | (C) To fuel tank |
| (4) Diaphragm | |
| (5) Valve | |

3. ENABLE CONDITION

Secondary Parameters	Enable Conditions
Engine speed	≥ 500 rpm
Battery voltage	≥ 8 V
After engine starting	1 second or more

4. GENERAL DRIVING CYCLE

Perform the diagnosis continuously after starting the engine.

DIAGNOSTIC TROUBLE CODE (DTC) DETECTING CRITERIA

GENERAL DESCRIPTION

5. DIAGNOSTIC METHOD

• Abnormality Judgment

Judge NG when the continuous time until completing the malfunction criteria below becomes more than time needed for diagnosis (2.5 seconds).

Judgment Value

Malfunction Criteria	Threshold Value
Terminal voltage when ECM outputs ON signal	High

Time Needed for Diagnosis: 2.5 seconds

Malfunction Indicator Light Illumination: Illuminates when malfunction occurs in 2 continuous driving cycles.

• Normality Judgment

Judge OK and clear the NG when the malfunction criteria below are completed.

Judgment Value

Malfunction Criteria	Threshold Value
Terminal voltage when ECM outputs ON signal	Low

6. DTC CLEAR CONDITION

- When the OK idling cycle is completed 40 times in a row
- When "Clear Memory" was performed

7. MALFUNCTION INDICATOR LIGHT CLEAR CONDITION

- When the OK driving cycle was completed 3 times in a row
- When "Clear Memory" was performed

8. FAIL SAFE

None

9. ECM OPERATION AT DTC

Memorize the freeze frame data. (For test mode \$02)

DIAGNOSTIC TROUBLE CODE (DTC) DETECTING CRITERIA

GENERAL DESCRIPTION

CW:DTC P1443 — VENT CONTROL SOLENOID VALVE FUNCTION PROBLEM

1. OUTLINE OF DIAGNOSIS

For detecting conditions, refer to DTC P0442 EVAPORATIVE EMISSION CONTROL SYSTEM LEAK DETECTED (SMALL LEAK). <Ref. to GD(H4SO)-105, DTC P0442 — EVAPORATIVE EMISSION CONTROL SYSTEM LEAK DETECTED (SMALL LEAK) —, Diagnostic Trouble Code (DTC) Detecting Criteria.>

DIAGNOSTIC TROUBLE CODE (DTC) DETECTING CRITERIA

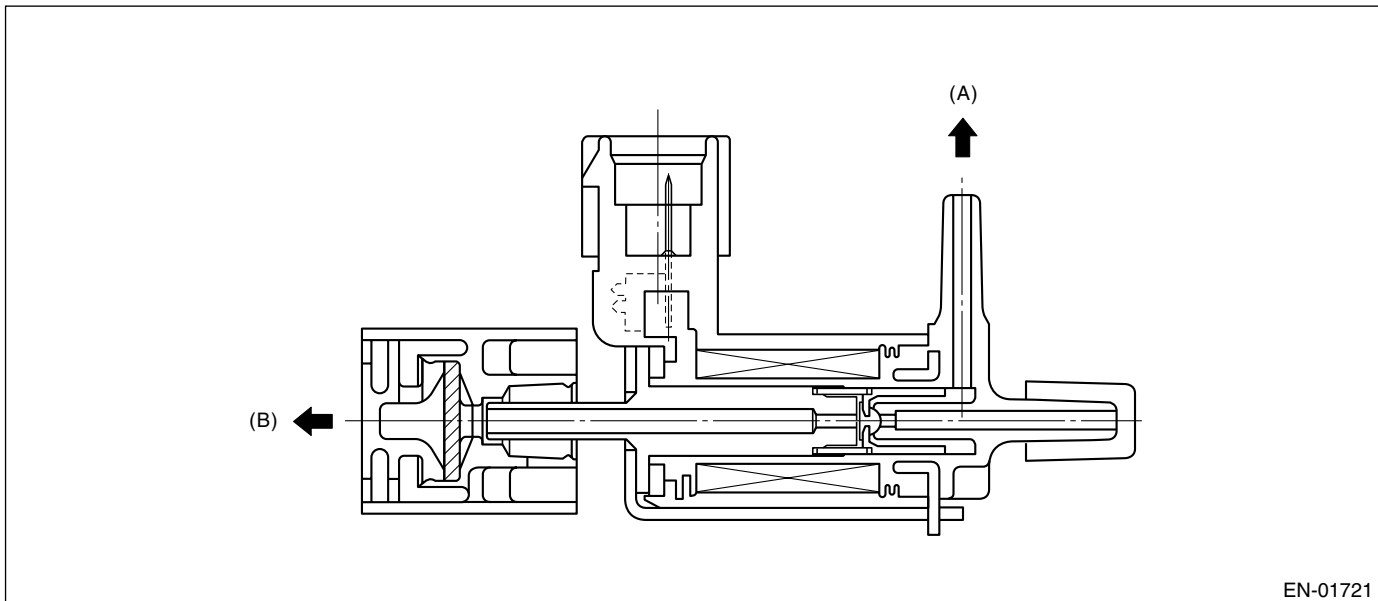
GENERAL DESCRIPTION

CX:DTC P1446 — FUEL TANK SENSOR CONTROL VALVE CIRCUIT LOW —

1. OUTLINE OF DIAGNOSIS

- Detect the open/short circuit of fuel tank sensor control valve.
- Judge NG when the ECM output level is different from actual terminal level.

2. COMPONENT DESCRIPTION



- (A) Fuel tank pressure sensor
 (B) External air

3. ENABLE CONDITION

Secondary Parameters	Enable Conditions
Engine speed	≥ 500 rpm
Battery voltage	≥ 8 V
After engine starting	1 second or more

4. GENERAL DRIVING CYCLE

Perform the diagnosis continuously after starting the engine.

5. DIAGNOSTIC METHOD

Judge NG when the continuous time until completing the malfunction criteria below becomes more than the time (2.5 seconds) needed for diagnosis. Judge OK and clear the NG when the malfunction criteria are not completed.

Judgment Value

Malfunction Criteria	Threshold Value
Terminal voltage level when ECM sent OFF signals	Low level

Time Needed for Diagnosis: 2.5 seconds

Malfunction Indicator Light Illumination: Illuminates when malfunction occurs in 2 continuous driving cycles.

6. DTC CLEAR CONDITION

- When the OK idling cycle is completed 40 times in a row
- When "Clear Memory" was performed

GD(H4SO)-207

DIAGNOSTIC TROUBLE CODE (DTC) DETECTING CRITERIA

GENERAL DESCRIPTION

7. MALFUNCTION INDICATOR LIGHT CLEAR CONDITION

- When the OK driving cycle is completed 3 times in a row
- When "Clear Memory" was performed

8. FAIL SAFE

None

9. ECM OPERATION AT DTC SETTING

Memorize the freeze frame data. (For test mode \$02)

DIAGNOSTIC TROUBLE CODE (DTC) DETECTING CRITERIA

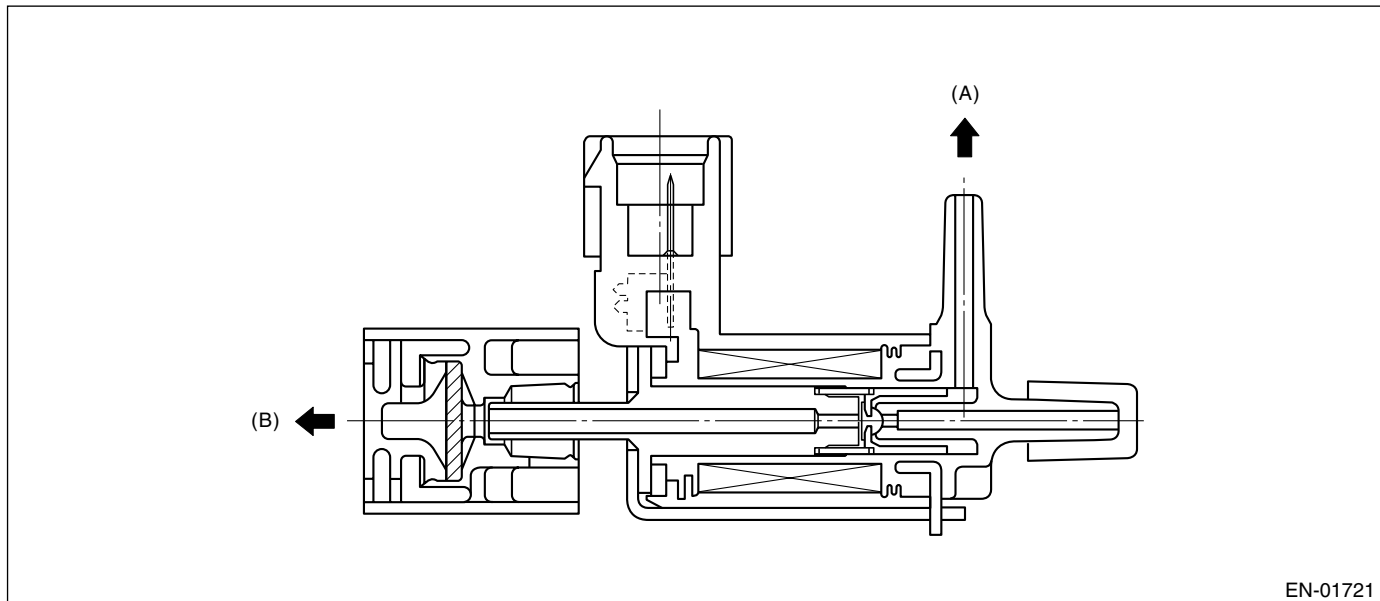
GENERAL DESCRIPTION

CY:DTC P1447 — FUEL TANK SENSOR CONTROL VALVE CIRCUIT HIGH —

1. OUTLINE OF DIAGNOSIS

- Detect the open/short circuit of fuel tank sensor control valve.
- Judge NG when the ECM output level is different from actual terminal level.

2. COMPONENT DESCRIPTION



- (A) Fuel tank pressure sensor
(B) External air

3. ENABLE CONDITION

Secondary Parameters	Enable Conditions
Engine speed	≥ 500 rpm
Battery voltage	≥ 8 V
After engine starting	1 second or more

4. GENERAL DRIVING CYCLE

Perform the diagnosis continuously after starting the engine.

5. DIAGNOSTIC METHOD

Judge NG when the continuous time until completing the malfunction criteria below becomes more than the time (2.5 seconds) needed for diagnosis. Judge OK and clear the NG when the malfunction criteria are not completed.

Judgment Value

Malfunction Criteria	Threshold Value
Terminal voltage level when ECM sent ON signals	High level

Time Needed for Diagnosis: 2.5 seconds

Malfunction Indicator Light Illumination: Illuminates when malfunction occurs in 2 continuous driving cycles.

6. DTC CLEAR CONDITION

- When the OK idling cycle is completed 40 times in a row
- When "Clear Memory" was performed

GD(H4SO)-209

DIAGNOSTIC TROUBLE CODE (DTC) DETECTING CRITERIA

GENERAL DESCRIPTION

7. MALFUNCTION INDICATOR LIGHT CLEAR CONDITION

- When the OK driving cycle is completed 3 times in a row
- When "Clear Memory" was performed

8. FAIL SAFE

None

9. ECM OPERATION AT DTC SETTING

Memorize the freeze frame data. (For test mode \$02)

DIAGNOSTIC TROUBLE CODE (DTC) DETECTING CRITERIA

GENERAL DESCRIPTION

CZ:DTC P1448 — FUEL TANK SENSOR CONTROL VALVE RANGE/PERFORMANCE—

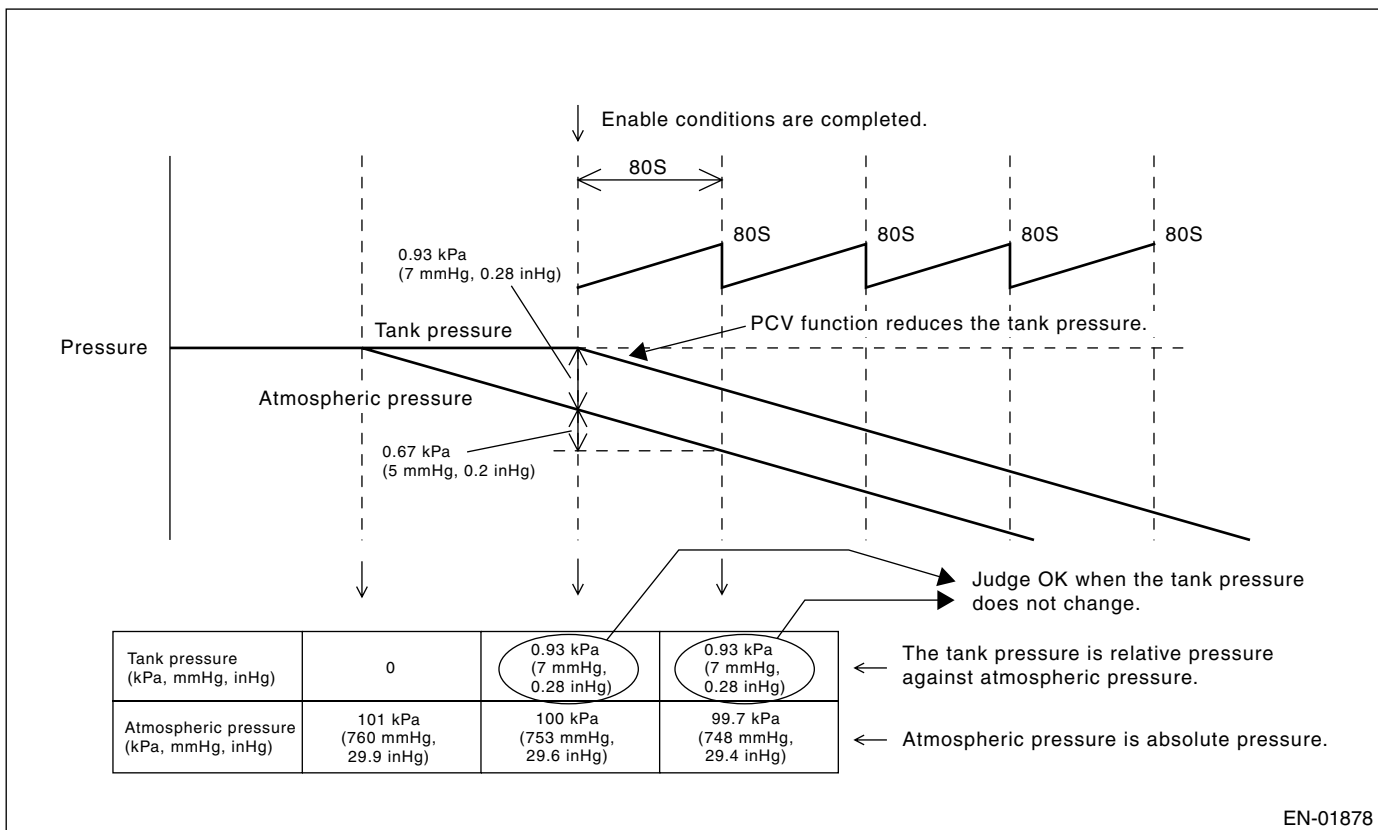
1. OUTLINE OF DIAGNOSIS

Detect the tank pressure switching solenoid function abnormality.

The tank pressure sensor is a relative pressure sensor, which normally compares the pressure with the atmospheric pressure. The tank pressure switching solenoid is a solenoid, which shifts the compare space from opening to closed during the EVAP diagnosis. Detect the malfunction that the compare space remains closed. (Not judge NG after enable condition completed but assume NG before enable condition completed.)

• Normality Judgment

Judge OK when the fuel tank pressure does not change (or changes by less than 0.67 kPa (5 mmHg, 0.2 inHg)) at atmospheric pressure changing by 0.67 kPa (5 mmHg, 0.2 inHg) or more for 80 seconds.

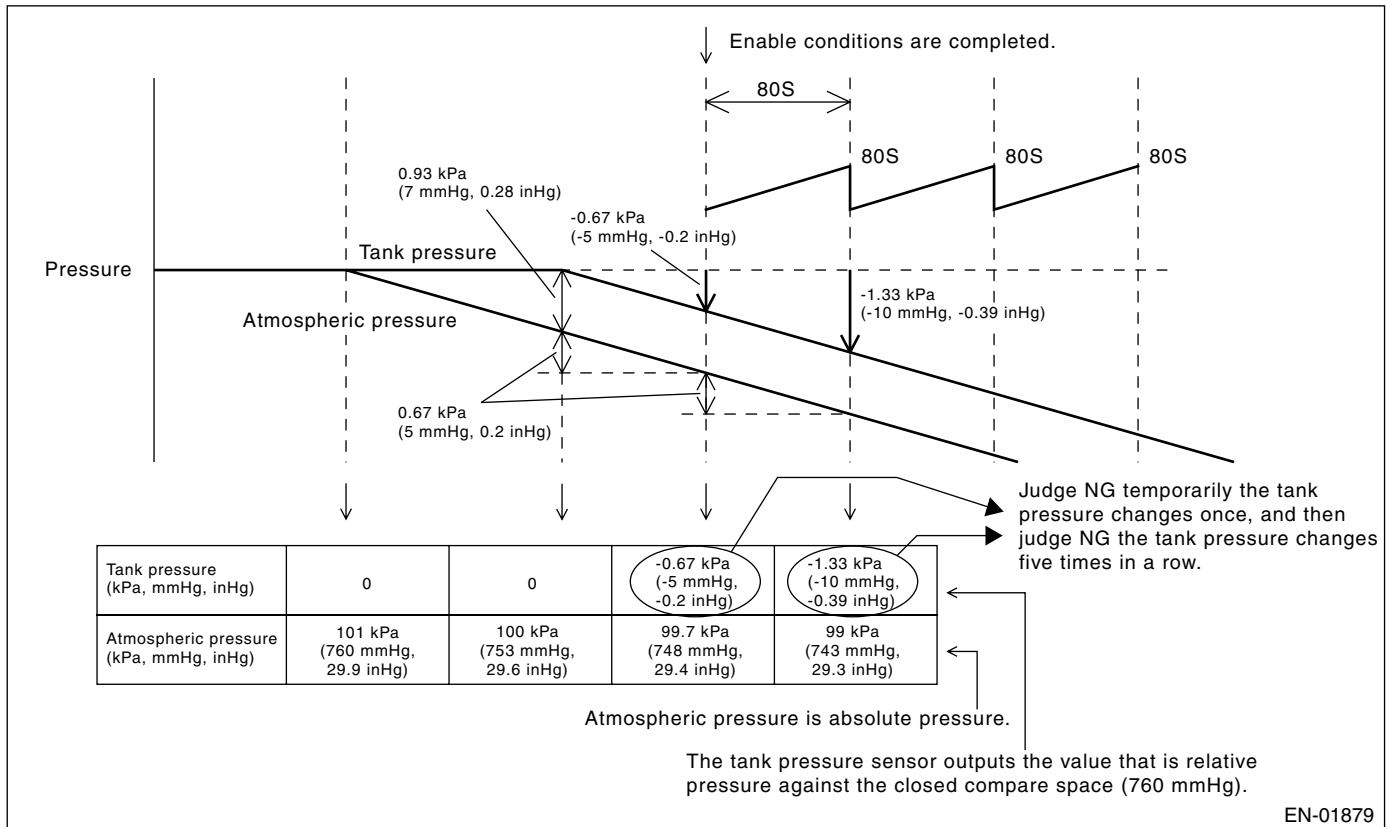


DIAGNOSTIC TROUBLE CODE (DTC) DETECTING CRITERIA

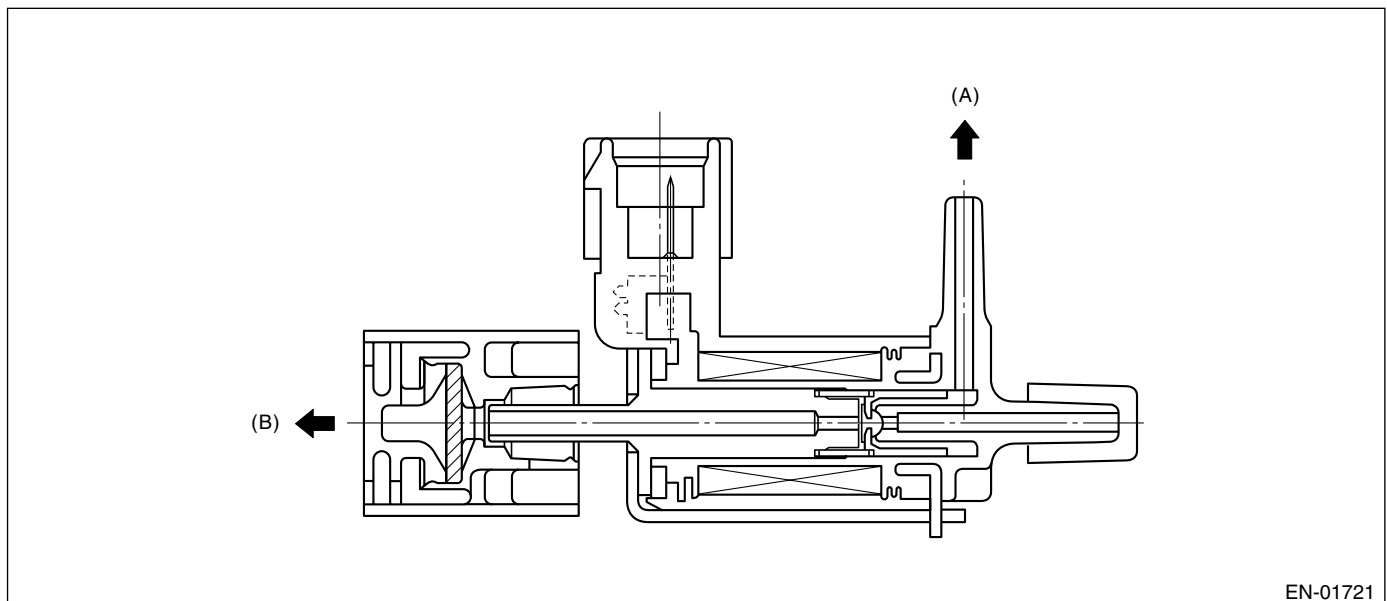
GENERAL DESCRIPTION

• Abnormality Judgment

Judge NG temporarily when the fuel tank pressure changes by 0.67 kPa (5 mmHg, 0.2 inHg) or more at atmospheric pressure changing by 0.67 kPa (5 mmHg, 0.2 inHg) or more per 80 seconds, and then judge NG when the previous condition is completed 5 times in a row.



2. COMPONENT DESCRIPTION



- (A) Fuel tank pressure sensor
- (B) External air

GD(H4SO)-212

DIAGNOSTIC TROUBLE CODE (DTC) DETECTING CRITERIA

GENERAL DESCRIPTION

3. ENABLE CONDITION

Secondary Parameters	Enable Conditions
After engine starting	≥ 80 seconds
Fuel level	9 to 51 ℓ (2.4 — 13.5 US gal, 2.0 — 11.2 Imp gal)
Fuel tank pressure	< 0 or > 1200 Pa (< 0 or > 9.0 mmHg, < 0 or > 0.4 inHg)
Evaporative emission control system diagnosis	Not in diagnosis

4. GENERAL DRIVING CYCLE

Perform the diagnosis continuously in 80 seconds after starting the engine. (Do not diagnose during evaporative emission control system diagnosis.)

5. DIAGNOSTIC METHOD

• Abnormality Judgment

Count the counter up when the malfunction criteria below are completed by checking the change such as tank pressure, atmospheric pressure and fuel level during every 80 seconds. Judge NG when the count comes to the specified number (3 times).

Judgment Value

Malfunction Criteria	Threshold Value
Change of tank pressure during 80 seconds	≥ 600 Pa (4.5 mmHg, 0.2 inHg)
Change of atmospheric pressure during 80 seconds	≥ 600 Pa (4.5 mmHg, 0.2 inHg)
Change of fuel level during 80 seconds	< 8 ℓ (2.1 US gal, 1.8 Imp gal)

Time Needed for Diagnosis: 80 seconds × 3 times

Malfunction Indicator Light Illumination: Illuminates when malfunction occurs in 2 continuous driving cycles.

• Normality Judgment

Judge OK and clear the NG when all the malfunction criteria below are completed.

Judgment Value

Malfunction Criteria	Threshold Value
Change of tank pressure during 80 seconds	≥ 600 Pa (4.5 mmHg, 0.2 inHg)
Change of atmospheric pressure during 80 seconds	< 600 Pa (4.5 mmHg, 0.2 inHg)

6. DTC CLEAR CONDITION

- When the OK idling cycle is completed 40 times in a row
- When "Clear Memory" was performed

7. MALFUNCTION INDICATOR LIGHT CLEAR CONDITION

- When the OK driving cycle is completed 3 times in a row
- When "Clear Memory" was performed

8. FAIL SAFE

None

9. ECM OPERATION AT DTC SETTING

Memorize the freeze frame data. (For test mode \$02)

GD(H4SO)-213

DIAGNOSTIC TROUBLE CODE (DTC) DETECTING CRITERIA

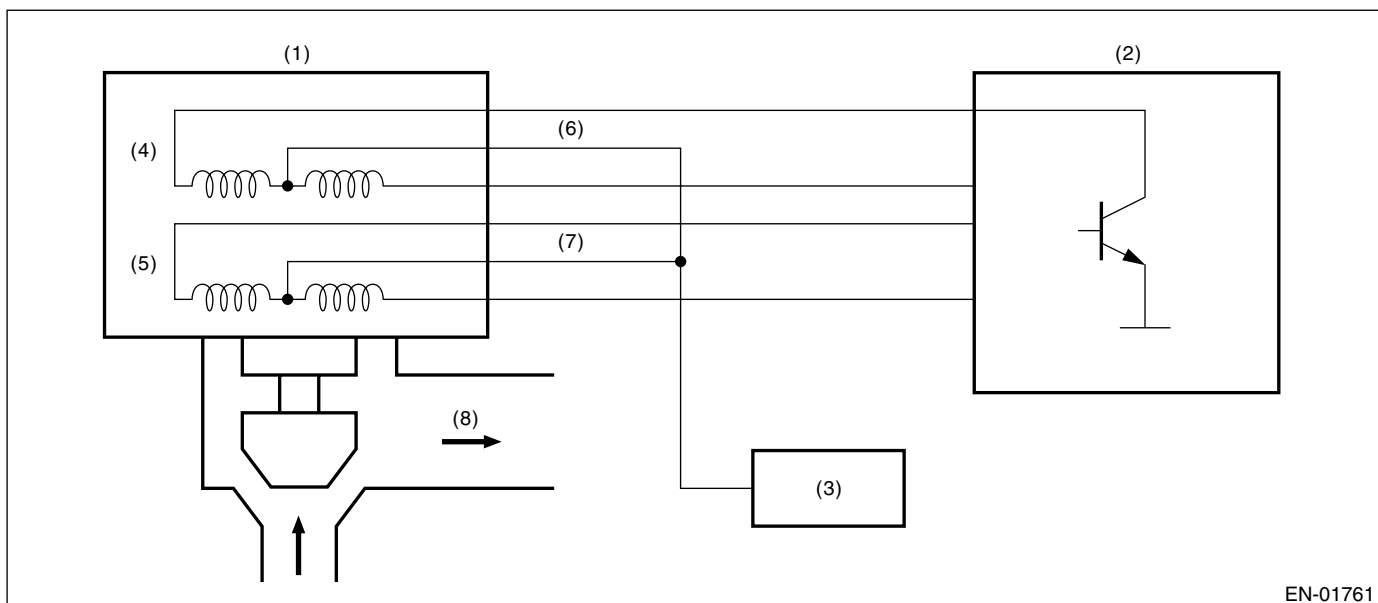
GENERAL DESCRIPTION

DA:DTC P1510 — ISC SOLENOID VALVE SIGNAL #1 CIRCUIT MALFUNCTION (LOW INPUT) —

1. OUTLINE OF DIAGNOSIS

- Detect the open/short circuit of idle air control solenoid valve.
- Judge NG when the output terminal is Low level even though ECM outputs OFF signal.

2. COMPONENT DESCRIPTION



- (1) Idle air control solenoid valve
- (2) Engine control module (ECM)
- (3) Ignition relay
- (4) A phase

- (5) B phase
- (6) A phase power
- (7) B phase power
- (8) Intake air

3. ENABLE CONDITION

Secondary Parameters	Enable Conditions
Ignition switch	OFF
Battery voltage	> 10.9 V

4. GENERAL DRIVING CYCLE

Perform the diagnosis when starter switch is OFF.

5. DIAGNOSTIC METHOD

• Abnormality Judgment

Judge NG when the cumulative time until completing the malfunction criteria below becomes more than time needed for diagnosis.

Judgment Value

Malfunction Criteria	Threshold Value
Terminal voltage level when ECM outputs OFF signal	Low level

Time Needed for Diagnosis: 0.5 seconds

Malfunction Indicator Light Illumination: Illuminates as soon as malfunction occurs.

DIAGNOSTIC TROUBLE CODE (DTC) DETECTING CRITERIA

GENERAL DESCRIPTION

• Normality Judgment

Judge OK and clear the NG when the malfunction criteria below are completed.

Judgment Value

Malfunction Criteria	Threshold Value
Terminal voltage level when ECM outputs OFF signal	High level

6. DTC CLEAR CONDITION

- When the OK idling cycle is completed 40 times in a row
- When "Clear Memory" was performed

7. MALFUNCTION INDICATOR LIGHT CLEAR CONDITION

- When the OK driving cycle was completed 3 times in a row
- When "Clear Memory" was performed

8. FAIL SAFE

- Cut the fuel of all cylinders, #1 cylinder or #1, #2 cylinder according to throttle position, engine speed, vehicle speed.
- ISC closed loop compensation value becomes zero. [ISCCL = 0 (l/min)]

9. ECM OPERATION AT DTC

Memorize the freeze frame data. (For test mode \$02)

DIAGNOSTIC TROUBLE CODE (DTC) DETECTING CRITERIA

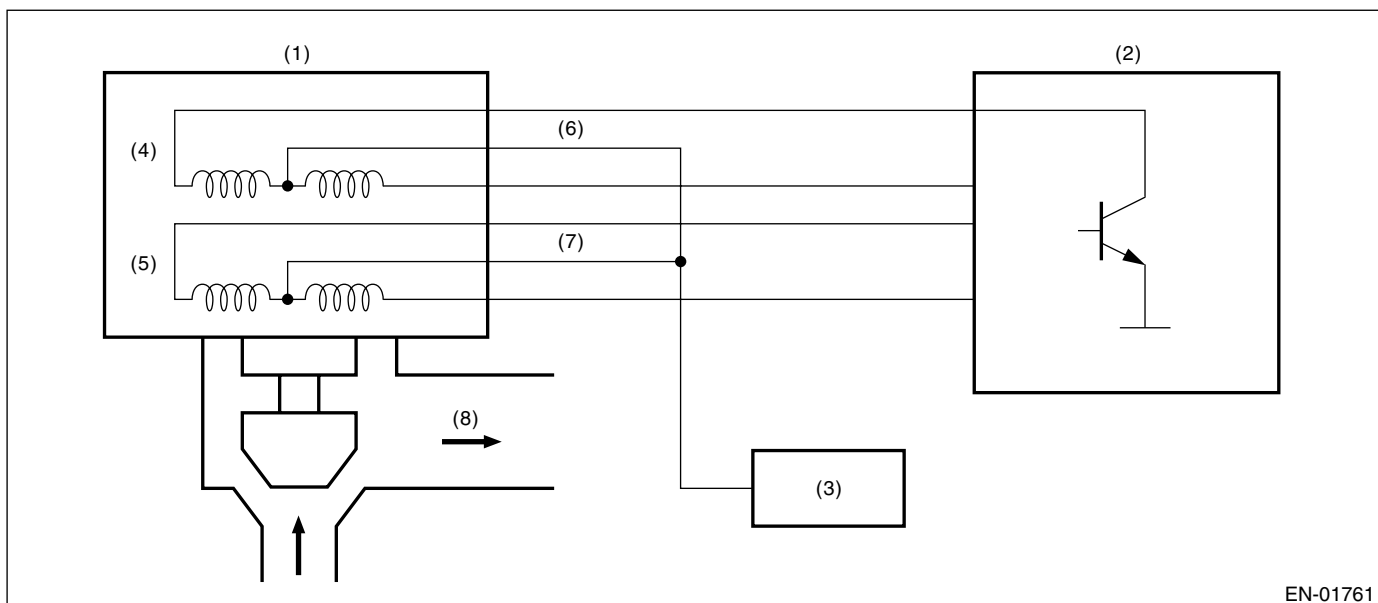
GENERAL DESCRIPTION

DB:DTC P1511 — ISC SOLENOID VALVE SIGNAL #1 CIRCUIT MALFUNCTION (HIGH INPUT) —

1. OUTLINE OF DIAGNOSIS

- Detect the open/short circuit of idle air control solenoid valve.
- Judge NG when the output terminal is High level even though ECM outputs ON signal.

2. COMPONENT DESCRIPTION



- (1) Idle air control solenoid valve
- (2) Engine control module (ECM)
- (3) Ignition relay
- (4) A phase

- (5) B phase
- (6) A phase power
- (7) B phase power
- (8) Intake air

3. ENABLE CONDITION

Secondary Parameters	Enable Conditions
Starter switch	OFF
Battery voltage	> 10.9 V

4. GENERAL DRIVING CYCLE

Perform the diagnosis continuously when starter switch is OFF.

5. DIAGNOSTIC METHOD

• Abnormality Judgment

Judge NG when the cumulative time until completing the malfunction criteria below becomes more than time needed for diagnosis.

Judgment Value

Malfunction Criteria	Threshold Value
Terminal voltage level when ECM outputs ON signal	High level

Time needed for diagnosis: 0.5 seconds

Malfunction Indicator Light Illumination: Illuminates as soon as malfunction occurs.

DIAGNOSTIC TROUBLE CODE (DTC) DETECTING CRITERIA

GENERAL DESCRIPTION

• Normality Judgment

Judge OK and clear the NG when the malfunction criteria below are completed.

Judgment Value

Malfunction Criteria	Threshold Value
Terminal voltage level when ECM outputs ON signal	Low level

6. DTC CLEAR CONDITION

- When the OK idling cycle is completed 40 times in a row
- When "Clear Memory" was performed

7. MALFUNCTION INDICATOR LIGHT CLEAR CONDITION

- When the OK driving cycle was completed 3 times in a row
- When "Clear Memory" was performed

8. FAIL SAFE

- Cut the fuel of all cylinders, #1 cylinder or #1, #2 cylinder according to throttle position, engine speed, vehicle speed.
- ISC closed loop compensation value becomes zero. [ISCCL = 0 (l/min)]

9. ECM OPERATION AT DTC

Memorize the freeze frame data. (For test mode \$02)

DIAGNOSTIC TROUBLE CODE (DTC) DETECTING CRITERIA

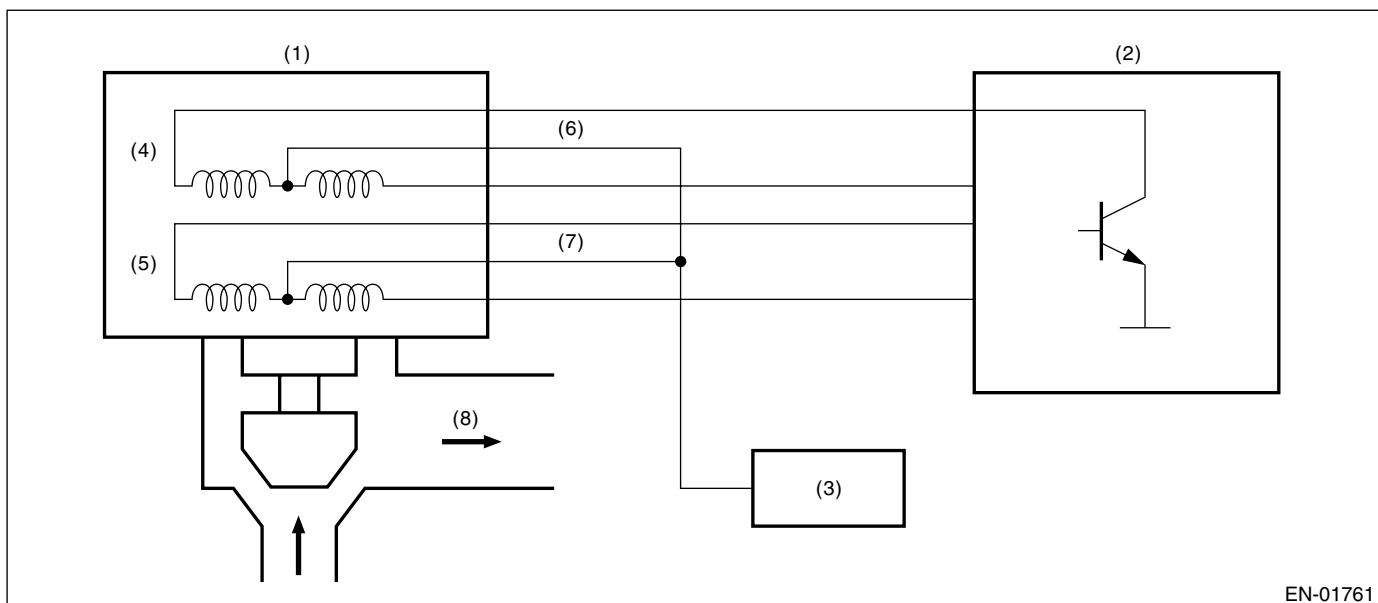
GENERAL DESCRIPTION

DC:DTC P1512 — ISC SOLENOID VALVE SIGNAL #2 CIRCUIT MALFUNCTION (LOW INPUT) —

1. OUTLINE OF DIAGNOSIS

- Detect the open/short circuit of idle air control solenoid valve.
- Judge NG when the output terminal is Low level even though ECM outputs OFF signal.

2. COMPONENT DESCRIPTION



- | | |
|-------------------------------------|-------------------|
| (1) Idle air control solenoid valve | (5) B phase |
| (2) Engine control module (ECM) | (6) A phase power |
| (3) Ignition relay | (7) B phase power |
| (4) A phase | (8) Intake air |

3. ENABLE CONDITION

Secondary Parameters	Enable Conditions
Starter switch	OFF
Battery voltage	> 10.9 V

4. GENERAL DRIVING CYCLE

Perform the diagnosis continuously when starter switch is OFF.

5. DIAGNOSTIC METHOD

• Abnormality Judgment

Judge NG when the cumulative time until completing the malfunction criteria below becomes more than time needed for diagnosis.

Judgment Value

Malfunction Criteria	Threshold Value
Terminal voltage level when ECM outputs OFF signal	Low level

Time Needed for Diagnosis: 0.5 seconds

Malfunction Indicator Light Illumination: Illuminates as soon as malfunction occurs.

DIAGNOSTIC TROUBLE CODE (DTC) DETECTING CRITERIA

GENERAL DESCRIPTION

• Normality Judgment

Judge OK and clear the NG when the malfunction criteria below are completed.

Judgment Value

Malfunction Criteria	Threshold Value
Terminal voltage level when ECM outputs OFF signal	High level

6. DTC CLEAR CONDITION

- When the OK idling cycle is completed 40 times in a row
- When "Clear Memory" was performed

7. MALFUNCTION INDICATOR LIGHT CLEAR CONDITION

- When the OK driving cycle was completed 3 times in a row
- When "Clear Memory" was performed

8. FAIL SAFE

- Cut the fuel of all cylinders, #1 cylinder or #1, #2 cylinder according to throttle position, engine speed, vehicle speed.
- ISC closed loop compensation value becomes zero. [ISCCL = 0 (l/min)]

9. ECM OPERATION AT DTC

Memorize the freeze frame data. (For test mode \$02)

DIAGNOSTIC TROUBLE CODE (DTC) DETECTING CRITERIA

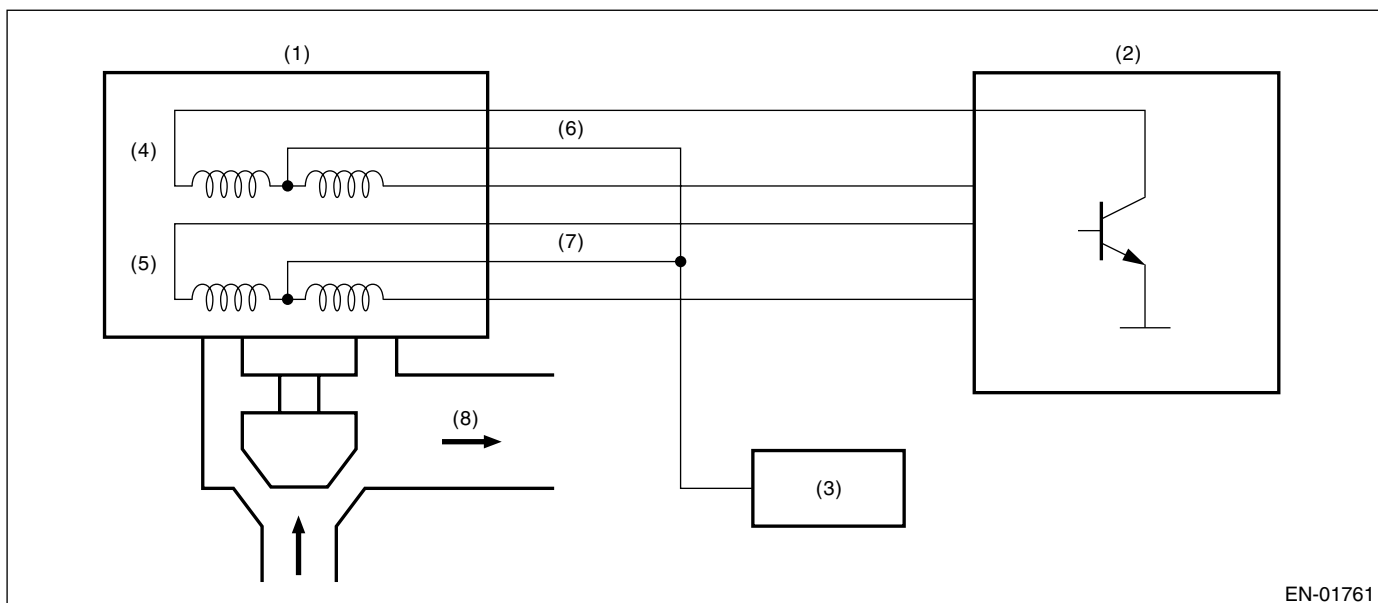
GENERAL DESCRIPTION

DD:DTC P1513 — ISC SOLENOID VALVE SIGNAL #2 CIRCUIT MALFUNCTION (HIGH INPUT) —

1. OUTLINE OF DIAGNOSIS

- Detect the open/short circuit of idle air control solenoid valve.
- Judge NG when the output terminal is High level even though ECM outputs ON signal.

2. COMPONENT DESCRIPTION



- | | |
|-------------------------------------|-------------------|
| (1) Idle air control solenoid valve | (5) B phase |
| (2) Engine control module (ECM) | (6) A phase power |
| (3) Ignition relay | (7) B phase power |
| (4) A phase | (8) Intake air |

3. ENABLE CONDITION

Secondary Parameters	Enable Conditions
Starter switch	OFF
Battery voltage	> 10.9 V

4. GENERAL DRIVING CYCLE

Perform the diagnosis continuously when starter switch is OFF.

5. DIAGNOSTIC METHOD

• Abnormality Judgment

Judge NG when the cumulative time until completing the malfunction criteria below becomes more than time needed for diagnosis.

Judgment Value

Malfunction Criteria	Threshold Value
Terminal voltage level when ECM outputs ON signal	High level

Time Needed for Diagnosis: 0.5 seconds

Malfunction Indicator Light Illumination: Illuminates as soon as malfunction occurs.

DIAGNOSTIC TROUBLE CODE (DTC) DETECTING CRITERIA

GENERAL DESCRIPTION

• Normality Judgment

Judge OK and clear the NG when the malfunction criteria below are completed.

Judgment Value

Malfunction Criteria	Threshold Value
Terminal voltage level when ECM outputs ON signal	Low level

6. DTC CLEAR CONDITION

- When the OK idling cycle is completed 40 times in a row
- When "Clear Memory" was performed

7. MALFUNCTION INDICATOR LIGHT CLEAR CONDITION

- When the OK driving cycle was completed 3 times in a row
- When "Clear Memory" was performed

8. FAIL SAFE

- Cut the fuel of all cylinders, #1 cylinder or #1, #2 cylinder according to throttle position, engine speed, vehicle speed.
- ISC closed loop compensation value becomes zero. [ISCCL = 0 (l/min)]

9. ECM OPERATION AT DTC

Memorize the freeze frame data. (For test mode \$02)

DIAGNOSTIC TROUBLE CODE (DTC) DETECTING CRITERIA

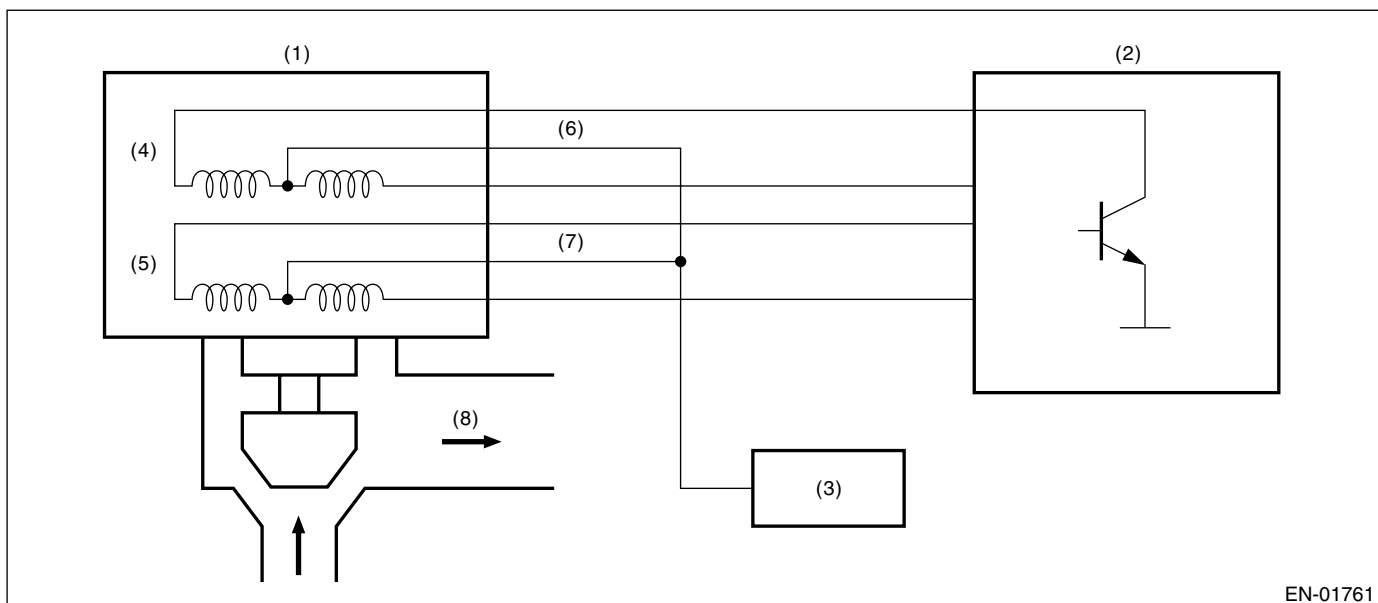
GENERAL DESCRIPTION

DE:DTC P1514 — ISC SOLENOID VALVE SIGNAL #3 CIRCUIT MALFUNCTION (LOW INPUT) —

1. OUTLINE OF DIAGNOSIS

- Detect the open/short circuit of idle air control solenoid valve.
- Judge NG when the output terminal is Low level even though ECM outputs OFF signal.

2. COMPONENT DESCRIPTION



- (1) Idle air control solenoid valve
- (2) Engine control module (ECM)
- (3) Ignition relay
- (4) A phase

- (5) B phase
- (6) A phase power
- (7) B phase power
- (8) Intake air

3. ENABLE CONDITION

Secondary Parameters	Enable Conditions
Starter switch	OFF
Battery voltage	> 10.9 V

4. GENERAL DRIVING CYCLE

Perform the diagnosis continuously when starter switch is OFF.

5. DIAGNOSTIC METHOD

• Abnormality Judgment

Judge NG when the cumulative time until completing the malfunction criteria below becomes more than time needed for diagnosis.

Judgment Value

Malfunction Criteria	Threshold Value
Terminal voltage level when ECM outputs OFF signal	Low level

Time Needed for Diagnosis: 0.5 seconds

Malfunction Indicator Light Illumination: Illuminates as soon as malfunction occurs.

DIAGNOSTIC TROUBLE CODE (DTC) DETECTING CRITERIA

GENERAL DESCRIPTION

• Normality Judgment

Judge OK and clear the NG when the malfunction criteria below are completed.

Judgment Value

Malfunction Criteria	Threshold Value
Terminal voltage level when ECM outputs OFF signal	High level

6. DTC CLEAR CONDITION

- When the OK idling cycle is completed 40 times in a row
- When "Clear Memory" was performed

7. MALFUNCTION INDICATOR LIGHT CLEAR CONDITION

- When the OK driving cycle was completed 3 times in a row
- When "Clear Memory" was performed

8. FAIL SAFE

- Cut the fuel of all cylinders, #1 cylinder or #1, #2 cylinder according to throttle position, engine speed, vehicle speed.
- ISC closed loop compensation value becomes zero. [ISCCL = 0 (l/min)]

9. ECM OPERATION AT DTC

Memorize the freeze frame data. (For test mode \$02)

DIAGNOSTIC TROUBLE CODE (DTC) DETECTING CRITERIA

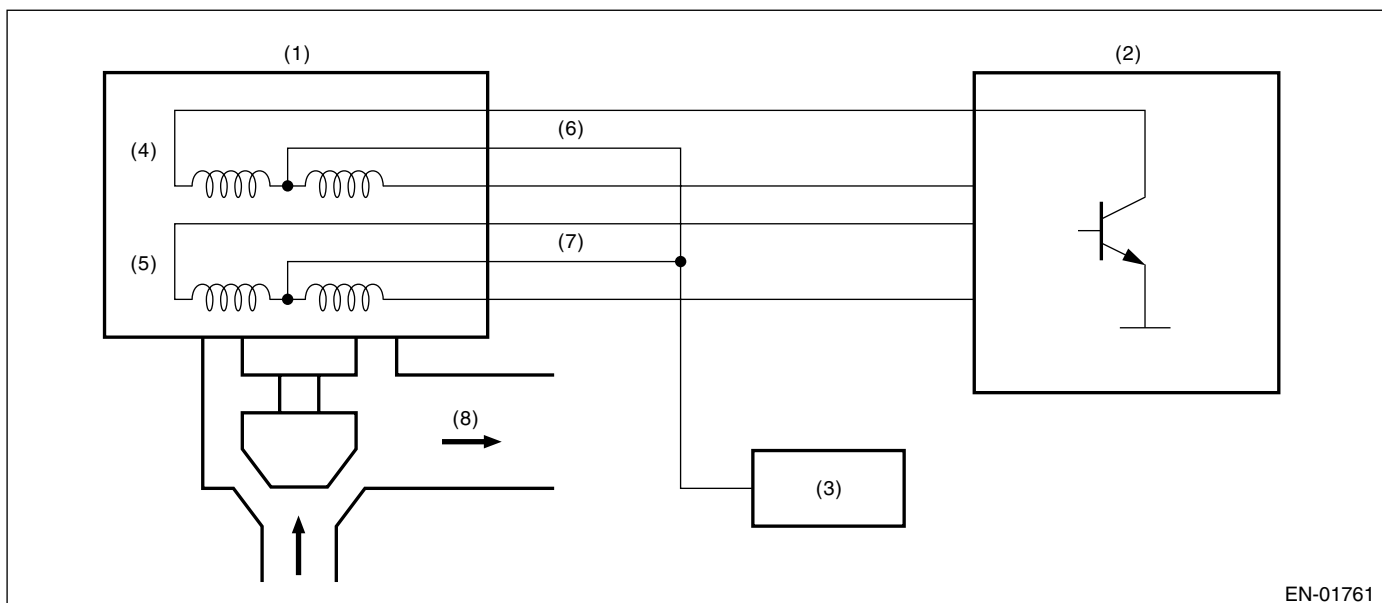
GENERAL DESCRIPTION

DF:DTC P1515 — ISC SOLENOID VALVE SIGNAL #3 CIRCUIT MALFUNCTION (HIGH INPUT) —

1. OUTLINE OF DIAGNOSIS

- Detect the open/short circuit of idle air control solenoid valve.
- Judge NG when the output terminal is High level even though ECM outputs ON signal.

2. COMPONENT DESCRIPTION



- (1) Idle air control solenoid valve
- (2) Engine control module (ECM)
- (3) Ignition relay
- (4) A phase

- (5) B phase
- (6) A phase power
- (7) B phase power
- (8) Intake air

3. ENABLE CONDITION

Secondary Parameters	Enable Conditions
Starter switch	OFF
Battery voltage	> 10.9 V

4. GENERAL DRIVING CYCLE

Perform the diagnosis continuously when starter switch is OFF.

5. DIAGNOSTIC METHOD

• Abnormality Judgment

Judge NG when the cumulative time until completing the malfunction criteria below becomes more than time needed for diagnosis.

Judgment Value

Malfunction Criteria	Threshold Value
Terminal voltage level when ECM outputs ON signal	High level

Time Needed for Diagnosis: 0.5 seconds

Malfunction Indicator Light Illumination: Illuminates as soon as malfunction occurs.

DIAGNOSTIC TROUBLE CODE (DTC) DETECTING CRITERIA

GENERAL DESCRIPTION

• Normality Judgment

Judge OK and clear the NG when the malfunction criteria below are completed.

Judgment Value

Malfunction Criteria	Threshold Value
Terminal voltage level when ECM outputs ON signal	Low level

6. DTC CLEAR CONDITION

- When the OK idling cycle is completed 40 times in a row
- When "Clear Memory" was performed

7. MALFUNCTION INDICATOR LIGHT CLEAR CONDITION

- When the OK driving cycle was completed 3 times in a row
- When "Clear Memory" was performed

8. FAIL SAFE

- Cut the fuel of all cylinders, #1 cylinder or #1, #2 cylinder according to throttle position, engine speed, vehicle speed.
- ISC closed loop compensation value becomes zero. [ISCCL = 0 (l/min)]

9. ECM OPERATION AT DTC

Memorize the freeze frame data. (For test mode \$02)

DIAGNOSTIC TROUBLE CODE (DTC) DETECTING CRITERIA

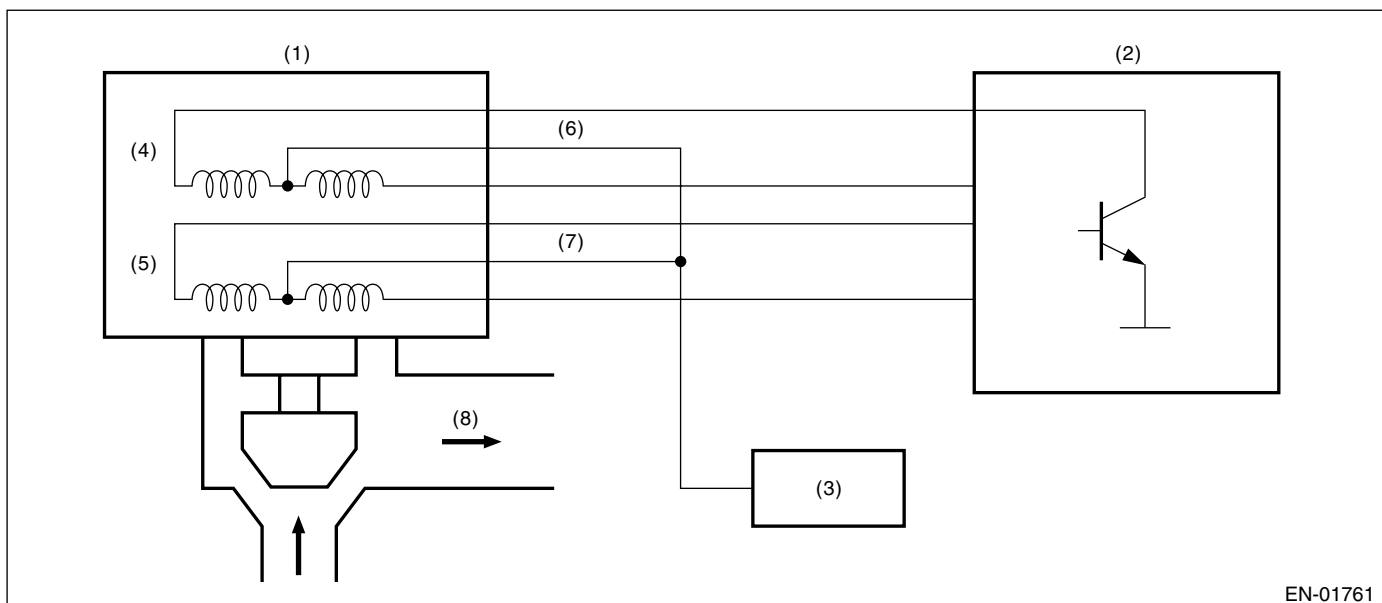
GENERAL DESCRIPTION

DG:DTC P1516 — ISC SOLENOID VALVE SIGNAL #4 CIRCUIT MALFUNCTION (LOW INPUT) —

1. OUTLINE OF DIAGNOSIS

- Detect the open/short circuit of idle air control solenoid valve.
- Judge NG when the output terminal is Low level even though ECM outputs OFF signal.

2. COMPONENT DESCRIPTION



- | | |
|-------------------------------------|-------------------|
| (1) Idle air control solenoid valve | (5) B phase |
| (2) Engine control module (ECM) | (6) A phase power |
| (3) Ignition relay | (7) B phase power |
| (4) A phase | (8) Intake air |

3. ENABLE CONDITION

Secondary Parameters	Enable Conditions
Starter switch	OFF
Battery voltage	> 10.9 V

4. GENERAL DRIVING CYCLE

Perform the diagnosis continuously when starter switch is OFF.

5. DIAGNOSTIC METHOD

• Abnormality Judgment

Judge NG when the cumulative time until completing the malfunction criteria below becomes more than time needed for diagnosis.

Judgment Value

Malfunction Criteria	Threshold Value
Terminal voltage level when ECM outputs OFF signal	Low level

Time Needed for Diagnosis: 0.5 seconds

Malfunction Indicator Light Illumination: Illuminates as soon as malfunction occurs.

DIAGNOSTIC TROUBLE CODE (DTC) DETECTING CRITERIA

GENERAL DESCRIPTION

• Normality Judgment

Judge OK and clear the NG when the malfunction criteria below are completed.

Judgment Value

Malfunction Criteria	Threshold Value
Terminal voltage level when ECM outputs OFF signal	High level

6. DTC CLEAR CONDITION

- When the OK idling cycle is completed 40 times in a row
- When "Clear Memory" was performed

7. MALFUNCTION INDICATOR LIGHT CLEAR CONDITION

- When the OK driving cycle was completed 3 times in a row
- When "Clear Memory" was performed

8. FAIL SAFE

- Cut the fuel of all cylinders, #1 cylinder or #1, #2 cylinder according to throttle position, engine speed, vehicle speed.
- ISC closed loop compensation value becomes zero. [ISCCL = 0 (l/min)]

9. ECM OPERATION AT DTC

Memorize the freeze frame data. (For test mode \$02)

DIAGNOSTIC TROUBLE CODE (DTC) DETECTING CRITERIA

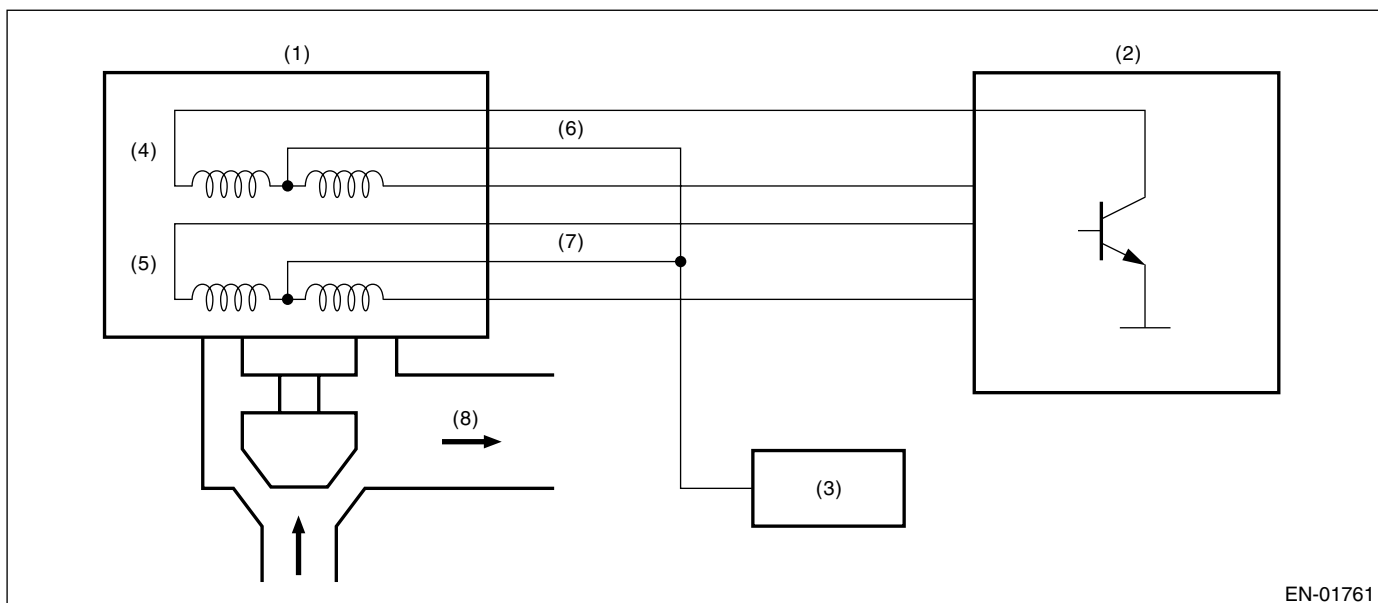
GENERAL DESCRIPTION

DH:DTC P1517 — ISC SOLENOID VALVE SIGNAL #4 CIRCUIT MALFUNCTION (HIGH INPUT) —

1. OUTLINE OF DIAGNOSIS

- Detect the open/short circuit of idle air control solenoid valve.
- Judge NG when the output terminal is High level even though ECM outputs ON signal.

2. COMPONENT DESCRIPTION



- (1) Idle air control solenoid valve
- (2) Engine control module (ECM)
- (3) Ignition relay
- (4) A phase

- (5) B phase
- (6) A phase power
- (7) B phase power
- (8) Intake air

3. ENABLE CONDITION

Secondary Parameters	Enable Conditions
Starter switch	OFF
Battery voltage	> 10.9 V

4. GENERAL DRIVING CYCLE

Perform the diagnosis continuously when starter switch is OFF.

5. DIAGNOSTIC METHOD

• Abnormality Judgment

Judge NG when the cumulative time until completing the malfunction criteria below becomes more than time needed for diagnosis.

Judgment Value

Malfunction Criteria	Threshold Value
Terminal voltage level when ECM outputs ON signal	High level

Time Needed for Diagnosis: 0.5 seconds

Malfunction Indicator Light Illumination: Illuminates as soon as malfunction occurs.

DIAGNOSTIC TROUBLE CODE (DTC) DETECTING CRITERIA

GENERAL DESCRIPTION

• Normality Judgment

Judge OK and clear the NG when the malfunction criteria below are completed.

Judgment Value

Malfunction Criteria	Threshold Value
Terminal voltage level when ECM outputs ON signal	Low level

6. DTC CLEAR CONDITION

- When the OK idling cycle is completed 40 times in a row
- When "Clear Memory" was performed

7. MALFUNCTION INDICATOR LIGHT CLEAR CONDITION

- When the OK driving cycle was completed 3 times in a row
- When "Clear Memory" was performed

8. FAIL SAFE

- Cut the fuel of all cylinders, #1 cylinder or #1, #2 cylinder according to throttle position, engine speed, vehicle speed.
- ISC closed loop compensation value becomes zero. [ISCCL = 0 (l/min)]

9. ECM OPERATION AT DTC

Memorize the freeze frame data. (For test mode \$02)

DIAGNOSTIC TROUBLE CODE (DTC) DETECTING CRITERIA

GENERAL DESCRIPTION

DI: DTC P1518 — STARTER SWITCH CIRCUIT LOW INPUT —

1. OUTLINE OF DIAGNOSIS

- Detect the open/short circuit of starter switch.
- Judge OFF NG when the starter signal remains OFF even though engine started.

2. ENABLE CONDITION

Secondary Parameters	Enable Conditions
Engine	Run

3. GENERAL DRIVING CYCLE

Perform the diagnosis continuously after starting engine.

4. DIAGNOSTIC METHOD

Judge NG when the malfunction criteria below are completed. Judge OK and clear the NG when the starter switch is turned to ON.

Judgment value

Malfunction Criteria	Threshold Value
Engine speed	0 — 700 rpm
Vehicle speed	= 0 km/h (0 MPH)
Starter "ON" signal	Not detected

Time Needed for Diagnosis

OFF side Condition (engine speed 0 → 700 rpm) time needed for completion

Malfunction Indicator Light Illumination: Illuminates when malfunction occurs in 2 continuous driving cycles.

5. DTC CLEAR CONDITION

- When the OK idling cycle is completed 40 times in a row
- When "Clear Memory" was performed

6. MALFUNCTION INDICATOR LIGHT CLEAR CONDITION

- When the OK driving cycle was completed 3 times in a row
- When "Clear Memory" was performed

7. FAIL SAFE

None

8. ECM OPERATION AT DTC

Memorize the freeze frame data. (For test mode \$02)

DIAGNOSTIC TROUBLE CODE (DTC) DETECTING CRITERIA

GENERAL DESCRIPTION

DJ:DTC P1560 — BACK-UP VOLTAGE CIRCUIT MALFUNCTION —

1. OUTLINE OF DIAGNOSIS

- Detect the open/short circuit of back-up power supply circuit.
- Judge NG when the back-up power supply does not come to ECM regardless of the battery voltage coming.

2. ENABLE CONDITION

Secondary Parameters	Enable Conditions
Self-diagnosis timer after starting the engine	≥ 5 seconds
Battery voltage MVB	≥ 9.2 V

3. GENERAL DRIVING CYCLE

Always perform the diagnosis continuously in 5 seconds after starting the engine.

4. DIAGNOSTIC METHOD

Judge NG and clear the NG when the cumulative time until completing the malfunction criteria below becomes more than the time (5 seconds) needed for diagnosis.

Judgment Value

Malfunction Criteria	Threshold Value
Battery back-up power supply	Low

Time Needed for Diagnosis: 5 seconds

Malfunction indicator Light Illumination: Illuminates as soon as malfunction occurs.

5. DTC CLEAR CONDITION

- When the OK idling cycle is completed 40 times in a row
- When "Clear Memory" was performed

6. MALFUNCTION INDICATOR LIGHT CLEAR CONDITION

- When the OK driving cycle is completed 3 times in a row
- When "Clear Memory" was performed

7. FAIL SAFE

None

8. ECM OPERATION AT DTC SETTING

Memorize the freeze frame data. (For test mode \$02)

DIAGNOSTIC TROUBLE CODE (DTC) DETECTING CRITERIA

GENERAL DESCRIPTION

DK:DTC P1698 — ENGINE TORQUE CONTROL CUT SIGNAL CIRCUIT MALFUNCTION (LOW INPUT) —

1. OUTLINE OF DIAGNOSIS

- Detect the open/short circuit of AT cooperative signal line.
- Judge NG when ECM output level is different from actual terminal level.

2. ENABLE CONDITION

Secondary Parameters	Enable Conditions
Engine speed	≥ 500 rpm
Battery voltage	≥ 8.0 V
After engine starting	1 second or more

3. GENERAL DRIVING CYCLE

Perform the diagnosis continuously after starting the engine.

4. DIAGNOSTIC METHOD

• Abnormality Judgment

Judge NG when the cumulative time until completing the malfunction criteria below becomes more than the time (0.5 seconds) needed for diagnosis.

Judgment Value

Malfunction Criteria	Threshold Value
Terminal voltage when ECM outputs OFF signal	Low

Time Needed for Diagnosis: 0.5 seconds

Malfunction Indicator Light Illumination: Illuminates when malfunction occurs in 2 continuous driving cycles.

• Normality Judgment

Judge OK and clear the NG when the malfunction criteria below are completed.

Judgment Value

Malfunction Criteria	Threshold Value
Terminal voltage when ECM outputs OFF signal	High

5. DTC CLEAR CONDITION

- When the OK idling cycle is completed 40 times in a row
- When "Clear Memory" was performed

6. MALFUNCTION INDICATOR LIGHT CLEAR CONDITION

- When the OK driving cycle was completed 3 times in a row
- When "Clear Memory" was performed

7. FAIL SAFE

None

8. ECM OPERATION AT DTC

Memorize the freeze frame data. (For test mode \$02)

DIAGNOSTIC TROUBLE CODE (DTC) DETECTING CRITERIA

GENERAL DESCRIPTION

DL:DTC P1699 — ENGINE TORQUE CONTROL CUT SIGNAL CIRCUIT MALFUNCTION (HIGH INPUT) —

1. OUTLINE OF DIAGNOSIS

- Detect the open/short circuit of AT cooperative signal line.
- Judge NG when ECM output level is different from actual terminal level.

2. ENABLE CONDITION

Secondary Parameters	Enable Conditions
Engine speed	≥ 500 rpm
Battery voltage	≥ 8.0 V
After engine starting	1 second or more

3. GENERAL DRIVING CYCLE

Perform the diagnosis continuously after starting the engine.

4. DIAGNOSTIC METHOD

• Abnormality Judgment

Judge NG when the cumulative time until completing the malfunction criteria below becomes more than the time (0.5 seconds) needed for diagnosis.

Judgment Value

Malfunction Criteria	Threshold Value
Terminal voltage when ECM outputs ON signal	High

Time Needed for Diagnosis: 0.5 seconds

Malfunction Indicator Light Illumination: Illuminates when malfunction occurs in 2 continuous driving cycles.

• Normality Judgment

Judge OK and clear the NG when the malfunction criteria below are completed.

Judgment Value

Malfunction Criteria	Threshold Value
Terminal voltage when ECM outputs ON signal	Low

5. DTC CLEAR CONDITION

- When the OK idling cycle is completed 40 times in a row
- When "Clear Memory" was performed

6. MALFUNCTION INDICATOR LIGHT CLEAR CONDITION

- When the OK driving cycle was completed 3 times in a row
- When "Clear Memory" was performed

7. FAIL SAFE

None

8. ECM OPERATION AT DTC

Memorize the freeze frame data. (For test mode \$02)

DIAGNOSTIC TROUBLE CODE (DTC) DETECTING CRITERIA

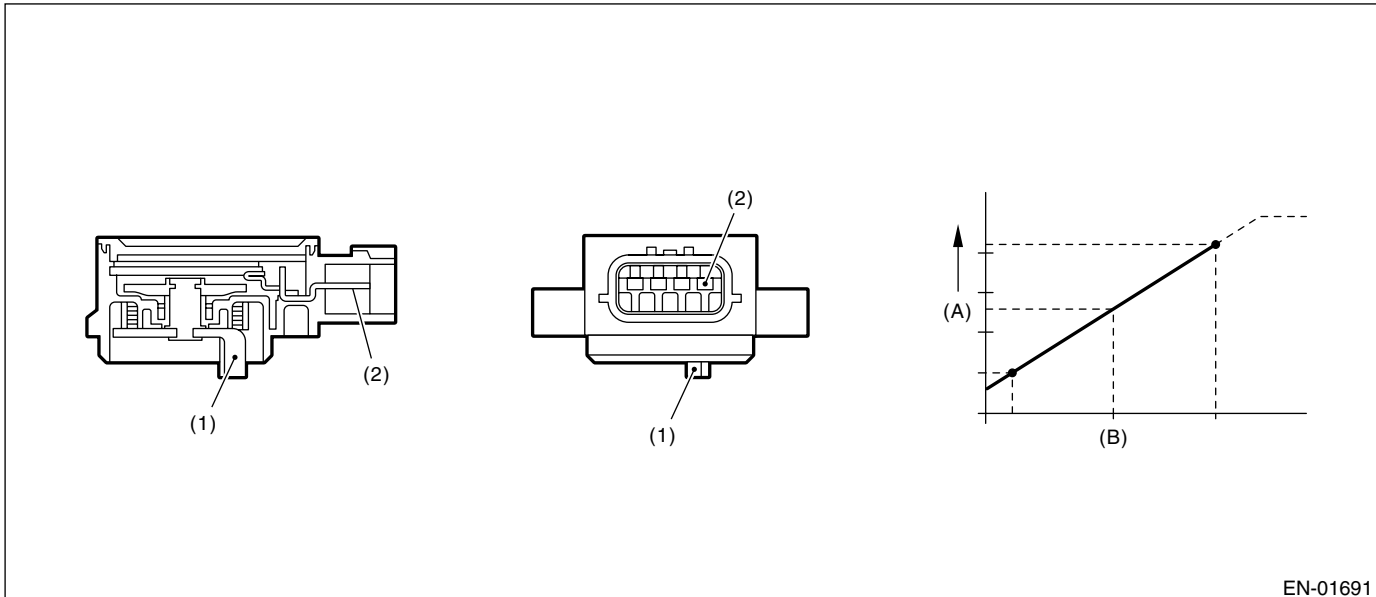
GENERAL DESCRIPTION

DM:DTC P1700 — THROTTLE POSITION SENSOR CIRCUIT MALFUNCTION FOR AT —

1. OUTLINE OF DIAGNOSIS

Judge NG when the voltage from throttle sensor is out of specified value.

2. COMPONENT DESCRIPTION



(1) Lever
(2) Terminal

(A) Output voltage
(B) Throttle valve angle

EN-01691

3. ENABLE CONDITION

Secondary Parameters	Enable Conditions
None	

4. GENERAL DRIVING CYCLE

Perform the diagnosis continuously.

5. DIAGNOSTIC METHOD

Judgment Value

Malfunction Criteria	Threshold Value
Output voltage	≤ 0.1 or ≥ 4.6 V

Time Needed for Diagnosis: 63.75 seconds

Malfunction Indicator Light Illumination: Illuminates when malfunction occurs in 2 continuous driving cycles.

6. DTC CLEAR CONDITION

- When the OK idling cycle was completed 40 times in a row
- When "Clear Memory" was performed

7. MALFUNCTION INDICATOR LIGHT CLEAR CONDITION

- When the OK driving cycle was completed 3 times in a row
- When "Clear Memory" was performed

DIAGNOSTIC TROUBLE CODE (DTC) DETECTING CRITERIA

GENERAL DESCRIPTION

8. FAIL SAFE

Make the throttle angle to 3/8 open, and the line pressure and 2-4B pressure to maximum.

9. ECM OPERATION AT DTC SETTING

Memorize the freeze frame data. (For test mode \$02)

GD(H4SO)-235

DIAGNOSTIC TROUBLE CODE (DTC) DETECTING CRITERIA

GENERAL DESCRIPTION

DN:DTC P1711 — ENGINE TORQUE CONTROL SIGNAL #1 CIRCUIT MALFUNCTION —

1. OUTLINE OF DIAGNOSIS

Judge NG when detecting the difference 250 times in a row by comparing the CPU output with signal line output every 10 milliseconds.

2. ENABLE CONDITION

Secondary Parameters	Enable Conditions
None	

3. GENERAL DRIVING CYCLE

Perform the diagnosis continuously.

4. DIAGNOSTIC METHOD

Judgment Value

Malfunction Criteria	Threshold Value
Collector voltage of transistor (Vc) at "ON" signal from TCM	High level
Collector voltage of transistor (Vc) at "OFF" signal from ECM	Low level

Time Needed for Diagnosis: 2.5 seconds

Malfunction Indicator Light Illumination: Illuminates when malfunction occurs in 2 continuous driving cycles.

5. DTC CLEAR CONDITION

- When the OK idling cycle was completed 40 times in a row
- When "Clear Memory" was performed

6. MALFUNCTION INDICATOR LIGHT CLEAR CONDITION

- When the OK driving cycle was completed 3 times in a row
- When "Clear Memory" was performed

7. FAIL SAFE

None

8. ECM OPERATION AT DTC SETTING

Memorize the freeze frame data. (For test mode \$02)

DIAGNOSTIC TROUBLE CODE (DTC) DETECTING CRITERIA

GENERAL DESCRIPTION

DO:DTC P1712 — ENGINE TORQUE CONTROL SIGNAL #2 CIRCUIT MALFUNCTION —

1. OUTLINE OF DIAGNOSIS

Judge NG when detecting the difference 250 times in a row by comparing the CPU output with signal line output every 10 milliseconds.

2. ENABLE CONDITION

Secondary Parameters	Enable Conditions
None	

3. GENERAL DRIVING CYCLE

Perform the diagnosis continuously.

4. DIAGNOSTIC METHOD

Judgment Value

Malfunction Criteria	Threshold Value
Vc at "ON" signal from ECM	High
Vc at "OFF" signal from ECM	Low

Time Needed for Diagnosis: 2.5 seconds

Malfunction Indicator Light Illumination: Illuminates when malfunction occurs in 2 continuous driving cycles.

5. DTC CLEAR CONDITION

- When the OK idling cycle was completed 40 times in a row
- When "Clear Memory" was performed

6. MALFUNCTION INDICATOR LIGHT CLEAR CONDITION

- When the OK driving cycle was completed 3 times in a row
- When "Clear Memory" was performed

7. FAIL SAFE

None

8. ECM OPERATION AT DTC SETTING

Memorize the freeze frame data. (For test mode \$02)

DIAGNOSTIC TROUBLE CODE (DTC) DETECTING CRITERIA

GENERAL DESCRIPTION

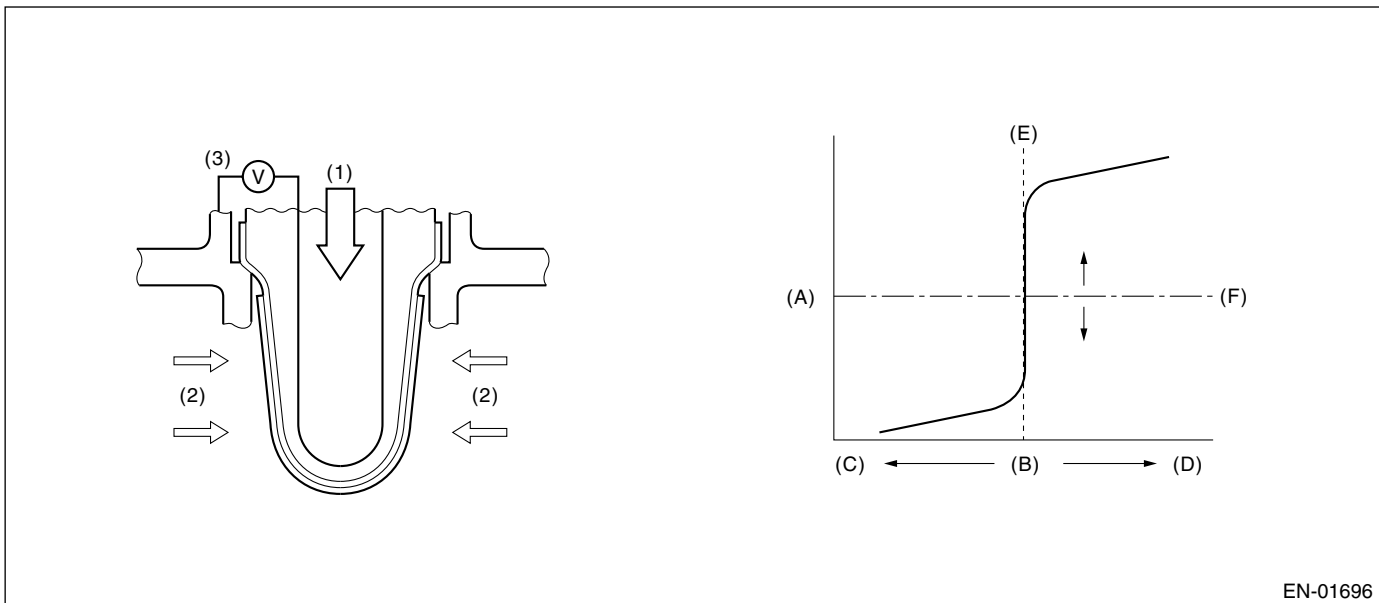
DP:DTC P2096 — POST CATALYST FUEL TRIM SYSTEM TOO LEAN BANK 1 —

1. OUTLINE OF DIAGNOSIS

Detect the malfunction of fuel system from the amount of sub feedback control.

Judge NG when the rear oxygen sensor output does not approach to the slice level (target voltage) with the control amount sticks to rich or lean side while operating the sub feedback control.

2. COMPONENT DESCRIPTION



- (1) Atmosphere
- (2) Exhaust gas
- (3) Electromotive force

- (A) Electromotive force
- (B) Air fuel ratio
- (C) Lean
- (D) Rich
- (E) Theoretical air fuel ratio
- (F) Comparative voltage

3. ENABLE CONDITION

Secondary Parameters	Enable Conditions
Fuel system monitoring with primary oxygen sensor	In operation
Target lambda with primary oxygen sensor	1.0
Closed loop control with secondary oxygen sensor	In operation
Amount of intake air	≥ 20 kg/h
Feed back control with secondary oxygen sensor	Reached to the limit value

4. GENERAL DRIVING CYCLE

Perform the diagnosis continuously at a constant 80 km/h (50 MPH).

DIAGNOSTIC TROUBLE CODE (DTC) DETECTING CRITERIA

GENERAL DESCRIPTION

5. DIAGNOSTIC METHOD

• Abnormality Judgment

Calculate the continuous time from the sticking of sub feedback control amount to rich or lean side and cumulative deviation (sumdelo2) of rear oxygen sensor voltage and slice level (target voltage).

Judge NG when the malfunction criteria below are completed after 300 seconds have passed continuously.

Judgment Value

Malfunction Criteria	Threshold Value
$\text{sumdelo2} = \text{sumdelo2} + (\text{rvo2} - \text{rsl})$ where: rvo2 = sensing voltage of secondary oxygen sensor rsl = target voltage of secondary oxygen sensor	$> -16740 \text{ V}$

Time Needed for Diagnosis: 300 seconds

Malfunction Indicator Light Illumination: Illuminates when malfunction occurs in 2 continuous driving cycles.

• Normality Judgment

Judge OK and clear the NG when the rear oxygen output is reversed, and during 4 seconds after that, the sub feedback control amount does not stick to rich or lean sides.

6. DTC CLEAR CONDITION

- When the OK idling cycle was completed 40 times in a row
- When "Clear Memory" was performed

7. MALFUNCTION INDICATOR LIGHT CLEAR CONDITION

- When the OK driving cycle was completed 3 times in a row
- When "Clear Memory" was performed

8. FAIL SAFE

None

9. ECM OPERATION AT DTC SETTING

Memorize the freeze frame data. (For test mode \$02)

DIAGNOSTIC TROUBLE CODE (DTC) DETECTING CRITERIA

GENERAL DESCRIPTION

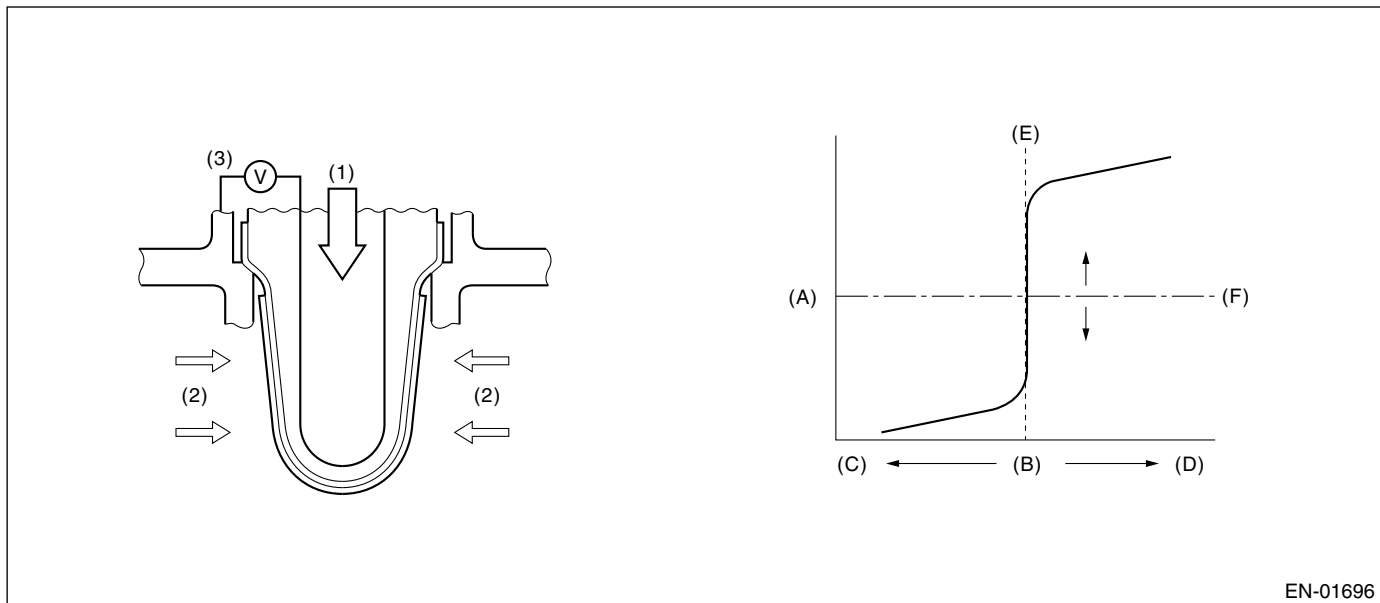
DQ:DTC P2097 — POST CATALYST FUEL TRIM SYSTEM TOO RICH BANK 1 —

1. OUTLINE OF DIAGNOSIS

Detect the malfunction of fuel system from the amount of sub feedback control.

Judge NG when the rear oxygen sensor output does not approach to the slice level (target voltage) with the control amount sticks to rich or lean side while operating the sub feedback control.

2. COMPONENT DESCRIPTION



- (1) Atmosphere
- (2) Exhaust gas
- (3) Electromotive force

- (A) Electromotive force
- (B) Air fuel ratio
- (C) Lean
- (D) Rich
- (E) Theoretical air fuel ratio
- (F) Comparative voltage

3. ENABLE CONDITION

Secondary Parameters	Enable Conditions
Fuel system monitoring with primary oxygen sensor	In operation
Target lambda with primary oxygen sensor	1.0
Closed loop control with secondary oxygen sensor	In operation
Amount of intake air	≥ 20 kg/h
Feed back control with secondary oxygen sensor	Reached to the limit value

4. GENERAL DRIVING CYCLE

Perform the diagnosis continuously at a constant 80 km/h (50 MPH).

DIAGNOSTIC TROUBLE CODE (DTC) DETECTING CRITERIA

GENERAL DESCRIPTION

5. DIAGNOSTIC METHOD

• Abnormality Judgment

Calculate the continuous time from the sticking of sub feedback control amount to rich or lean side and cumulative deviation (sumdelo2) of rear oxygen sensor voltage and slice level (target voltage).

Judge NG when the malfunction criteria below are completed after 300 seconds have passed continuously.

Judgment Value

Malfunction Criteria	Threshold Value
$\text{sumdelo2} = \text{sumdelo2} + (\text{rvo2} - \text{rsl})$ where: rvo2 = sensing voltage of secondary oxygen sensor rsl = target voltage of secondary oxygen sensor	> 6750 V

Time Needed for Diagnosis: 300 seconds

Malfunction Indicator Light Illumination: Illuminates when malfunction occurs in 2 continuous driving cycles.

• Normality Judgment

Judge OK and clear the NG when the rear oxygen output is reversed, and during 4 seconds after that, the sub feedback control amount does not stick to rich or lean sides.

6. DTC CLEAR CONDITION

- When the OK idling cycle was completed 40 times in a row
- When "Clear Memory" was performed

7. MALFUNCTION INDICATOR LIGHT CLEAR CONDITION

- When the OK driving cycle was completed 3 times in a row
- When "Clear Memory" was performed

8. FAIL SAFE

None

9. ECM OPERATION AT DTC SETTING

Memorize the freeze frame data. (For test mode \$02)

DIAGNOSTIC TROUBLE CODE (DTC) DETECTING CRITERIA
GENERAL DESCRIPTION

GD(H4SO)-242