

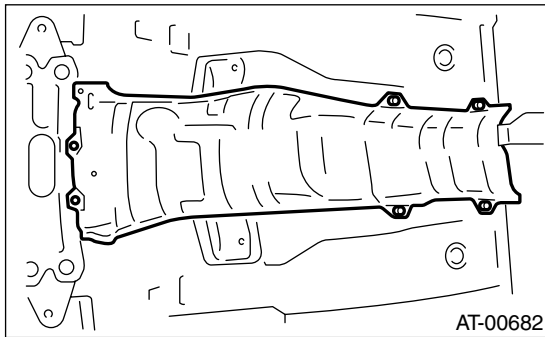
SELECT CABLE

CONTROL SYSTEMS

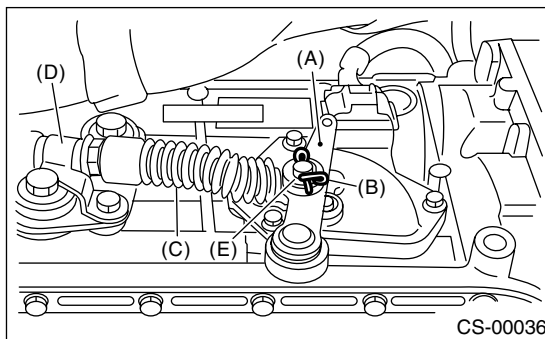
4. Select Cable

A: REMOVAL

- 1) Set the vehicle on a lift.
- 2) Set the select lever to "N" range.
- 3) Disconnect negative cable from battery.
- 4) Lift-up the vehicle.
- 5) Remove front, center, rear exhaust pipe and muffler. (SOHC model)
<Ref. to EX(H4SO)-4, REMOVAL, Front Exhaust Pipe.>, <Ref. to EX(H4SO)-7, REMOVAL, Center Exhaust Pipe.>, <Ref. to EX(H4SO)-8, REMOVAL, Rear Exhaust Pipe.> and <Ref. to EX(H4SO)-9, REMOVAL, Muffler.>
- 6) Remove the center and rear exhaust pipes and muffler. (DOHC turbo model)
<Ref. to EX(H4DOTC)-8, REMOVAL, Center Exhaust Pipe.>, <Ref. to EX(H4DOTC)-13, REMOVAL, Rear Exhaust Pipe.> and <Ref. to EX(H4DOTC)-14, REMOVAL, Muffler.>
- 7) Remove the heat shield cover. (If equipped)

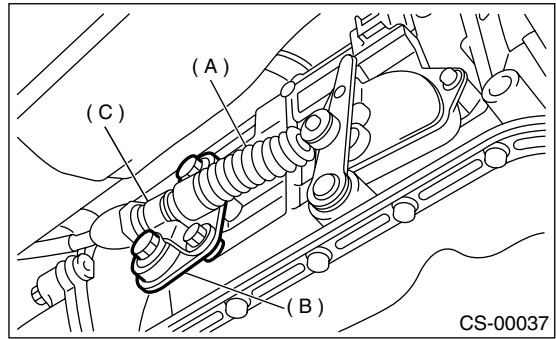


- 8) Remove the snap pin and washer from range select lever.



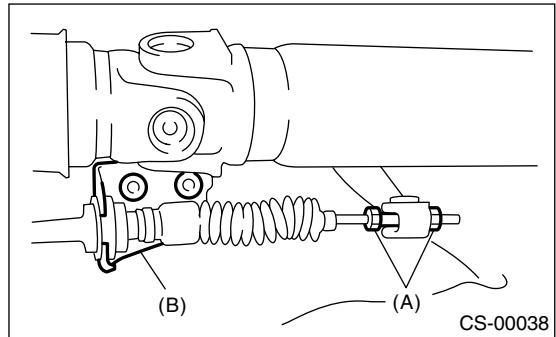
- (A) Range select lever
- (B) Snap pin
- (C) Select cable
- (D) Clamp
- (E) Washer

- 9) Remove the plate assembly from transmission case.



- (A) Select cable
- (B) Plate ASSY
- (C) Clamp

- 10) Disconnect the cable from select lever, and then remove the cable bracket.



- (A) Adjusting nuts
- (B) Cable bracket

- 11) Remove the select cable from plate assembly.

B: INSTALLATION

1) Install the select cable to plate assembly.

Tightening torque:

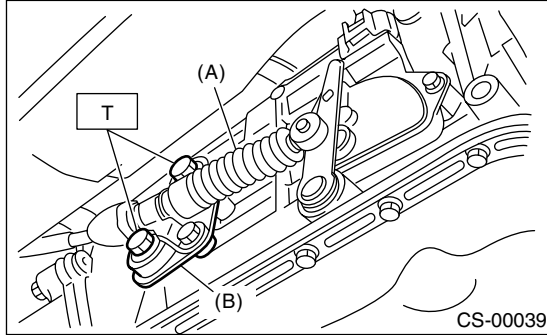
18 N·m (1.8 kgf-m, 13.0 ft-lb)

2) Install the select cable to range select lever.

3) Install the plate assembly to transmission.

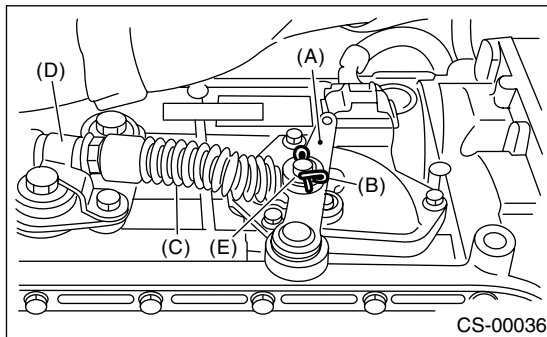
Tightening torque:

T: 24.5 N·m (2.5 kgf-m, 18.1 ft-lb)



- (A) Select cable
- (B) Plate ASSY

4) Install the washer and snap pin to range select lever.



- (A) Range select lever
- (B) Snap pin
- (C) Select cable
- (D) Clamp
- (E) Washer

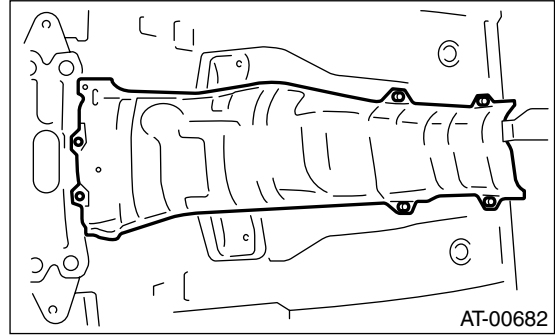
5) Insert the thread portion of other inner cable and into connector hole of select lever, and fix the other outer cable end to the bracket.

Tightening torque:

18 N·m (1.8 kgf-m, 13 ft-lb)

6) Move the select lever to "N" range, and then adjust the select cable position. <Ref. to CS-28, ADJUSTMENT, Select Cable.>

7) Install the heat shield cover.



8) Install the front, center, rear exhaust pipe and muffler. (SOHC model)

<Ref. to EX(H4SO)-5, INSTALLATION, Front Exhaust Pipe.>, <Ref. to EX(H4SO)-7, INSTALLATION, Center Exhaust Pipe.>, <Ref. to EX(H4SO)-8, INSTALLATION, Rear Exhaust Pipe.> and <Ref. to EX(H4SO)-9, INSTALLATION, Muffler.>

9) Install center and rear exhaust pipes and muffler. (DOHC turbo model)

<Ref. to EX(H4DOTC)-9, INSTALLATION, Center Exhaust Pipe.>, <Ref. to EX(H4DOTC)-13, INSTALLATION, Rear Exhaust Pipe.> and <Ref. to EX(H4DOTC)-14, INSTALLATION, Muffler.>

C: INSPECTION

Check the removed cable and replace if damaged, rusty, or malfunctioning.

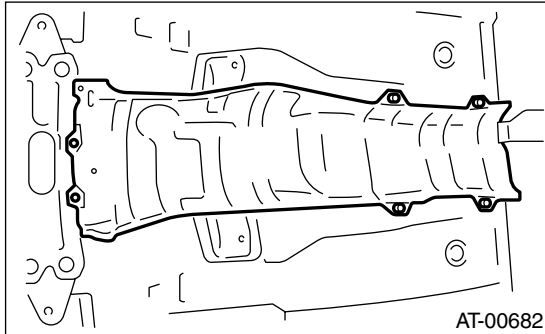
- 1) Check for smooth operation of the cable.
- 2) Check the inner cable for damage and rust.
- 3) Check the outer cable for damage, bends, and cracks.
- 4) Check the boot for damage, cracks, and deterioration.
- 5) Move the select lever from "P" range to "1" range. You should be able to feel the detents in each range. If the detents cannot be felt or the range pointer is improperly aligned, adjust the cable.

SELECT CABLE

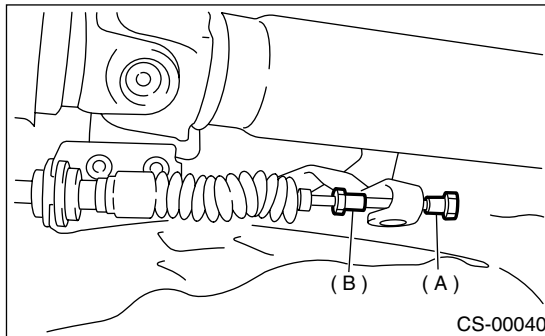
CONTROL SYSTEMS

D: ADJUSTMENT

- 1) Set the select lever to "N" range.
- 2) Remove the rear exhaust pipe and muffler.
SOHC model
<Ref. to EX(H4SO)-8, REMOVAL, Rear Exhaust Pipe.> and <Ref. to EX(H4SO)-9, REMOVAL, Muffler.>
DOHC turbo model
<Ref. to EX(H4DOTC)-13, REMOVAL, Rear Exhaust Pipe.> and <Ref. to EX(H4DOTC)-14, REMOVAL, Muffler.>
- 3) Remove the heat shield cover. (If equipped)

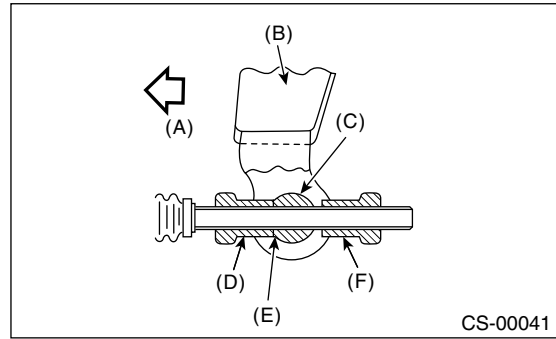


- 4) Loosen the adjusting nut on each side.



- (A) Adjusting nut A
- (B) Adjusting nut B

- 5) Turn the adjusting nut B until it lightly touches the connector.

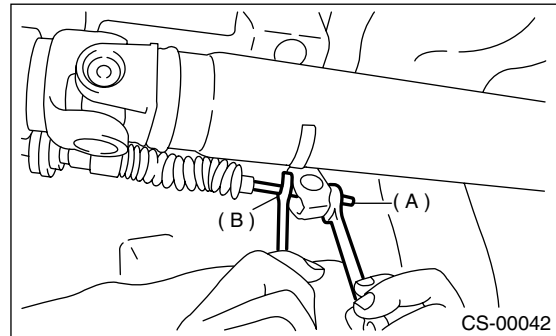


- (A) Front side
- (B) Select lever
- (C) Connector
- (D) Adjusting nut B
- (E) Contact point
- (F) Adjusting nut A

- 6) While preventing the adjusting nut B from moving with a wrench, tighten the adjusting nut A.

Tightening torque:

7.5 N-m (0.76 kgf-m, 5.5 ft-lb)



- (A) Adjusting nut A
- (B) Adjusting nut B

- 7) After completion of fitting, make sure that the select lever operates smoothly all across the operating range.

- 8) Install in the reverse order of removal.