

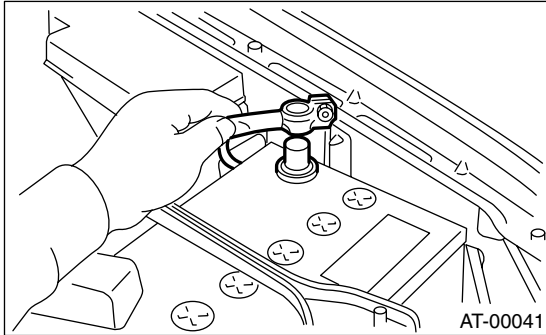
TRANSMISSION CONTROL MODULE (TCM)

AUTOMATIC TRANSMISSION

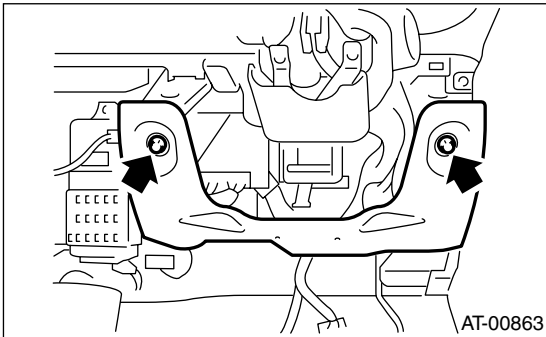
20. Transmission Control Module (TCM)

A: REMOVAL

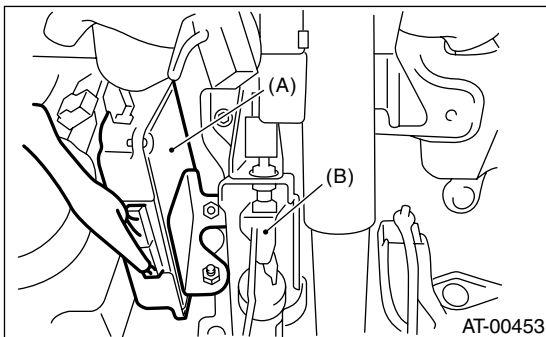
- 1) Disconnect the ground cable from battery.



- 2) Remove the lower cover and then disconnect the connector.
- 3) Remove the knee bolster.



- 4) Disconnect the connectors from TCM.



- (A) Transmission control module (TCM)
- (B) Brake pedal

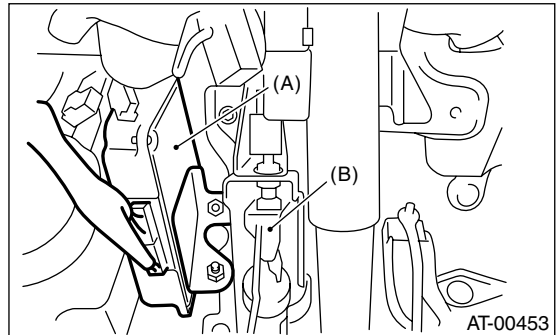
- 5) Remove the TCM.

B: INSTALLATION

- 1) Install the TCM.

Tightening torque:

7.5 N·m (0.76 kgf·m, 5.5 ft·lb)



- (A) Transmission control module (TCM)
- (B) Brake pedal

- 2) Connect the connectors to TCM.
- 3) Install in the reverse order of removal.