

GENERAL DESCRIPTION

AUTOMATIC TRANSMISSION (DIAGNOSTICS)

3. General Description

A: CAUTION

- **Supplemental Restraint System “Airbag”**

The airbag system wiring harness is routed near the transmission control module (TCM).

CAUTION:

- All airbag system wiring harness and connectors are colored yellow. Do not use an electrical test equipment on these circuit.
- Be careful not to damage the airbag system wiring harness when performing diagnostics and servicing the TCM.

- **Measurement**

When measuring the voltage and resistance of ECM, TCM or each sensor, use a tapered pin with diameter of less than 0.64 mm (0.025 in) in order to avoid poor contact. Do not insert the pin more than 0.65 mm (0.256 in).

B: INSPECTION

1. BATTERY

Measure the battery voltage and specific gravity of electrolyte.

Standard voltage: 12 V or more

Specific gravity: Above 1.260

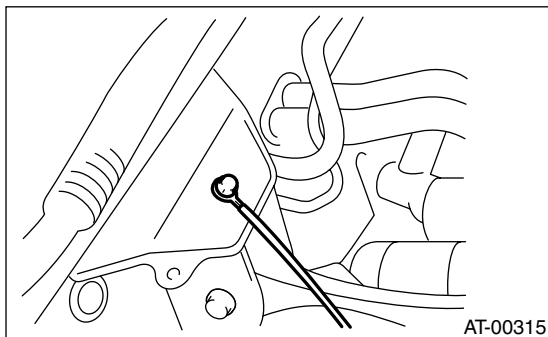
2. TRANSMISSION GROUND

Make sure that the ground terminal bolt is tightened securely.

- **Chassis side**

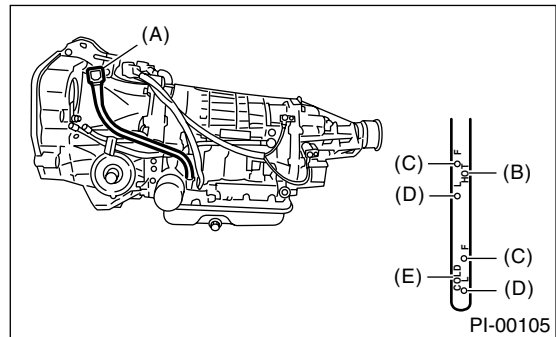
Tightening torque:

13 N·m (1.3 kgf·m, 9.4 ft·lb)



3. ATF LEVEL

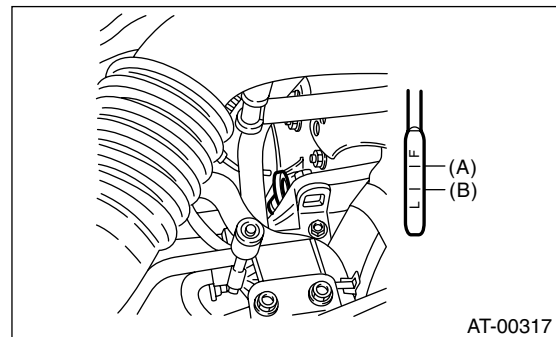
Make sure that ATF level is in the specification. <Ref. to 4AT-29, INSPECTION, Automatic Transmission Fluid.>



- (A) Level gauge
- (B) “HOT” side
- (C) Upper level
- (D) Lower level
- (E) “COLD” side

4. FRONT DIFFERENTIAL OIL LEVEL

Make sure that the front differential oil level is in specification. <Ref. to 4AT-30, INSPECTION, Differential Gear Oil.>



- (A) Upper level
- (B) Lower level

GENERAL DESCRIPTION

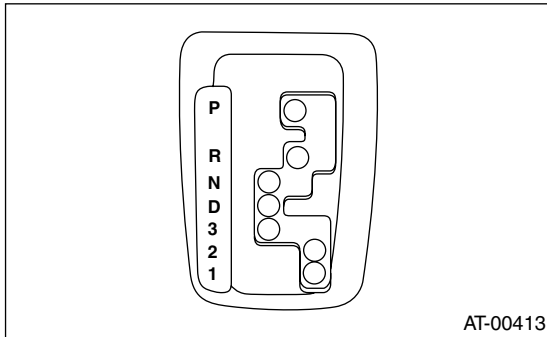
AUTOMATIC TRANSMISSION (DIAGNOSTICS)

5. OPERATION OF SHIFT SELECT LEVER

Make sure there is no abnormal noise, dragging or contact pattern in each select lever range.

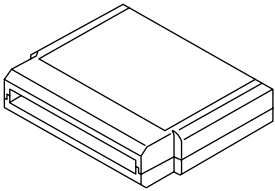

WARNING:

Stop the engine while checking operation of selector lever.



C: PREPARATION TOOL

1. SPECIAL TOOLS

ILLUSTRATION	TOOL NUMBER	DESCRIPTION	REMARKS
 ST24082AA230	24082AA230 (Newly adopted tool)	CARTRIDGE	Troubleshooting for electrical systems.
 ST22771AA030	22771AA030	SELECT MONITOR KIT	Troubleshooting for electrical systems.

2. GENERAL PURPOSE TOOLS

TOOL NAME	REMARKS
Circuit Tester	Used for measuring resistance, voltage and ampere.
Oscilloscope	Used for measuring sensor.